

Possibility of AC 5kV, DC 5kV Withstand Voltage test
 Available with Remote control function, Status Output, RS- 232C

AC/DC Withstand Voltage Tester

Model 8526



■ Withstand Voltage Tester

AC5kV
500VA

DC5kV
50W

■ I/O Control

External
Control I/O

Status
Output

■ Data Output

RS-232C

AC 5kV and DC 5kV in a Withstand Voltage Tester



■ Outline

The model 8526 is an equipment having capability of measuring both AC and DC withstand voltage condition. Building in AC 5kV (Output capacity 500VA) and DC 5kV (Output capacity 50W), withstand voltage of any electric equipment can be measured based our safety standards.

Typical Application:

Motor and Generator, spark plugs, Capacitors, connectors etc. aviation components, transformers, wire and cables, coils, switches and relays

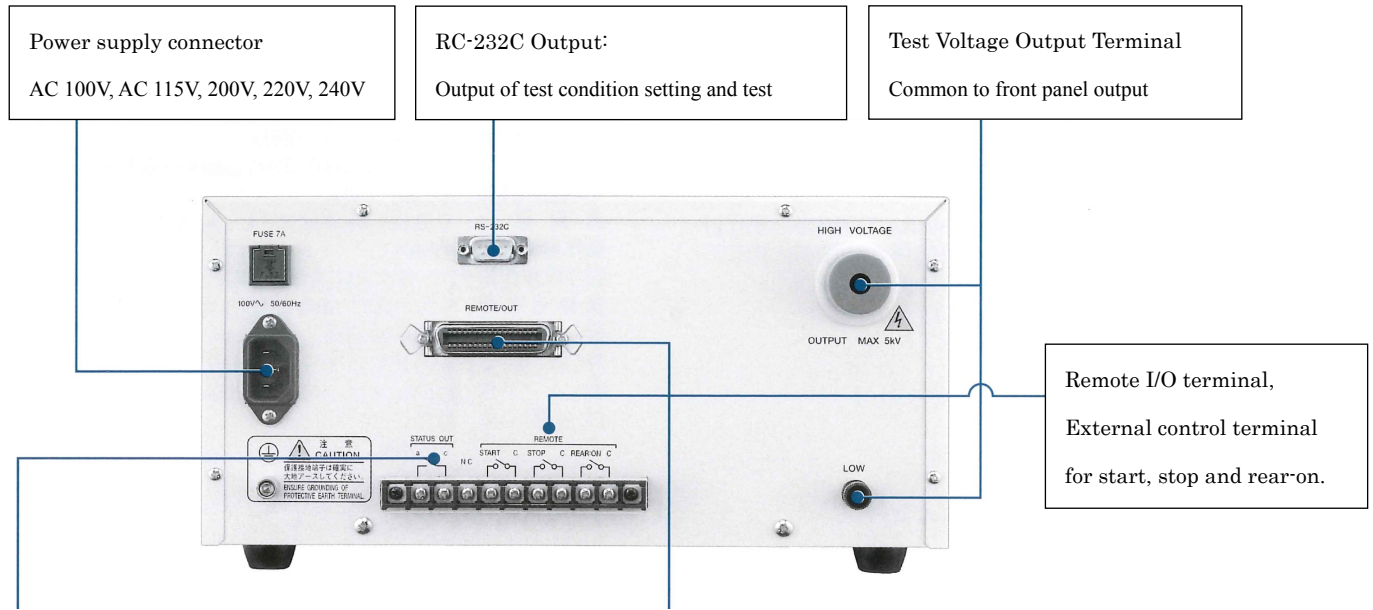
■ Characteristics

- Performs both AC5kV and DC5kV of withstand voltage test.
- Support various tests based on the safety standard of Electrical Appliance and Material Safety Law etc.
- Safety oriented design interlock etc.
- Memory function with 9 types of test condition.
- Status output for test condition and result.
- Large LED to display test condition and measured value.
- Output of Test condition and results are done by RS-232C.

Specification

- AC Withstand voltage test
 - Voltage output: AC 0 to 2.5kV / 0 to 5kV (500VA)
 - Setting of upper limit leakage current: 0.1 to 110.0mA
 - Judgment method: Upper and lower limit comparator
- DC withstand voltage test
 - Output voltage: DC 0 to 2.5kV/0 to 5kV (50W)
 - Setting of upper leakage current: 0.1 to 11.0mA
 - Judgment method: Upper and lower limit comparator.
- Output: Status signal, RS-232C output.

■ Back Panel



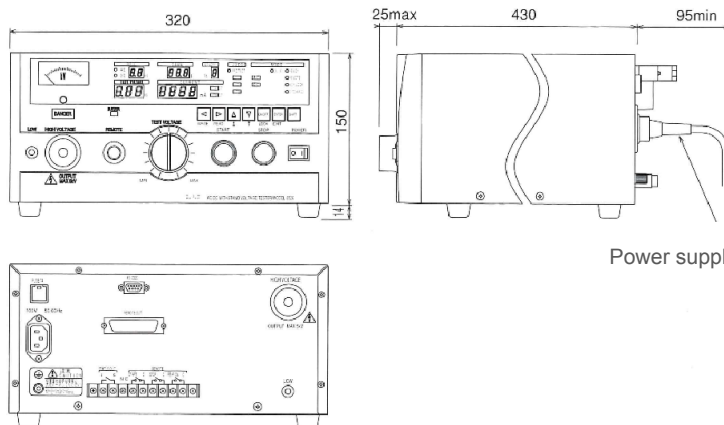
■ Status Output

Output Name	Output cond.
TEST/H.V.OUT	Test voltage output
TEST	Under test
GOOD	Good judgement
NG	Bad judgement
POWER ON	Power On
READY	During Ready
REMOTE	Remote Operation

Depending on selection of output, relay contact output is available (Multiple selection is possible (OR Cond.))

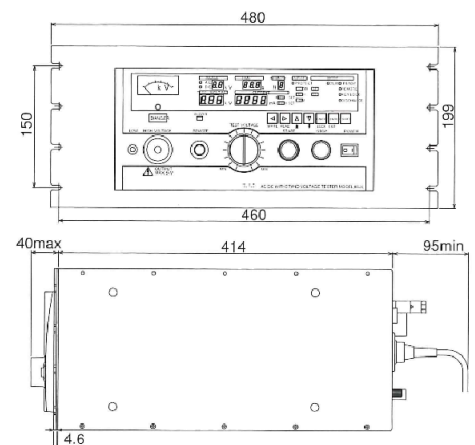
Output signal: 1a contact point, AC250V 1A, DC30V 1A (resistance load)

■ Outline Drawing



Power supply cord

Rack installation panel: 5871-03-015 (Option)



Unit: mm

■ Basic Specifications

Model & Output	8526 : RS-232C
Measurement voltage	AC 0 to 2.5KV, 0 to 5.0KV, 2 ranges DC 0 to 2.5KV, 0 to 5.0KV, 2 ranges
Voltage output system	Zero-cross throw switch
Setting of voltage	Manual setting by volt slider
Accuracy of Voltage	± 1.5 % of F.S.
Measurement current	AC from 0.01mA to 110.0mA DC from 0.01mA to 11.0mA
Accuracy of current	± (5 % + 20 μA) for high setting value
Setting time	0.5 to 999 s (with timer OFF function)
Judgement of test result	High & low limit
Power supply	90 to 110V AC, 50/60HZ (Available 115/200/220/240 V)
Weight	Approx. 17 kg (22.5kg for optional power supply)
Dimensions	320 (W) x 150 (H) x 430 (D) mm
Accessories	2m High-voltage cable, 3m Earth wire, 2.5m Power cord, Remote I/O plug, Fuse

TSURUGA ELECTRIC CORPORATION

Overseas Trade Department

1-3-23 Minami Sumiyoshi, Sumiyoshi, Osaka, Japan 558-0041

Tel: +81-(0)6-6692-7001 Fax: +81-(0)6-6692-7004

Home page: <http://www.tsuruga.co.jp>

Factory : Osaka and Shiga

Sale Offices : Osaka, Nagoya,
Tokyo, Yokohama