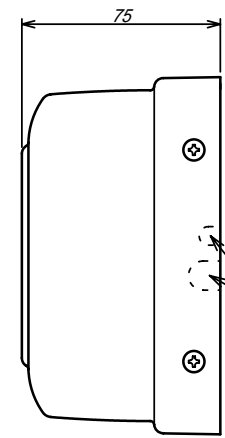
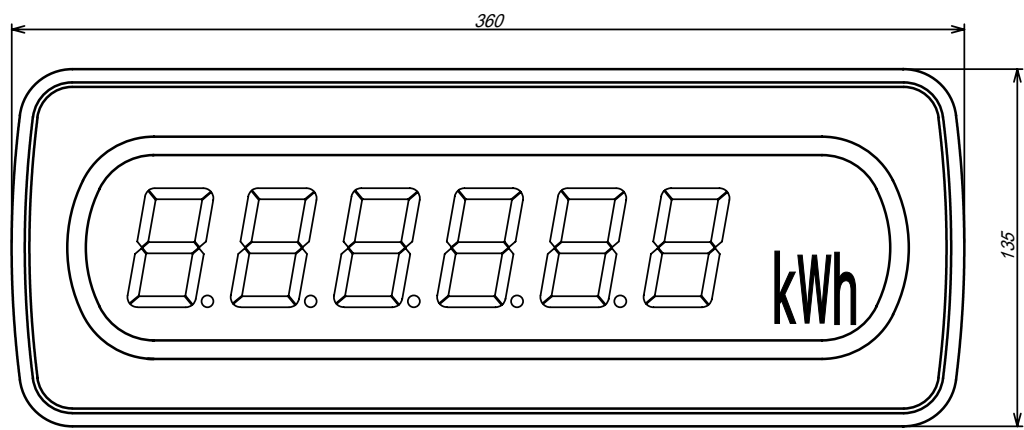
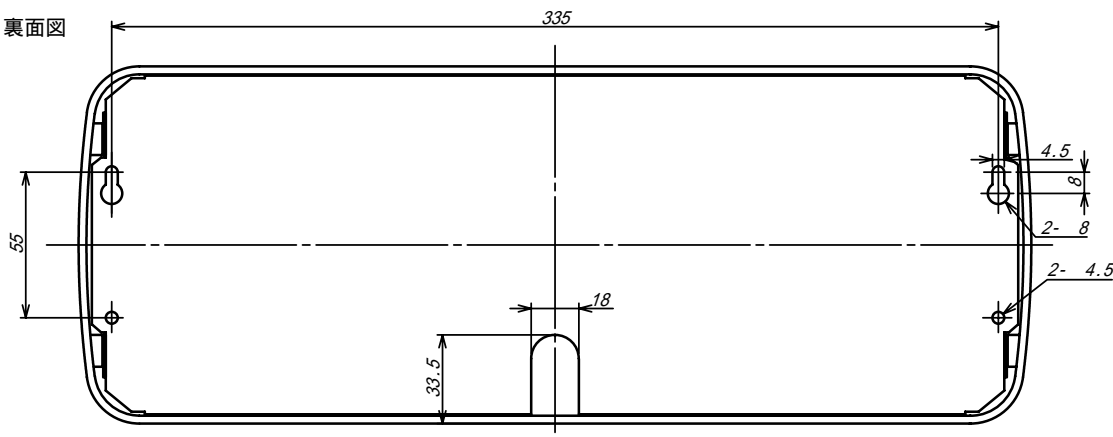


正面図



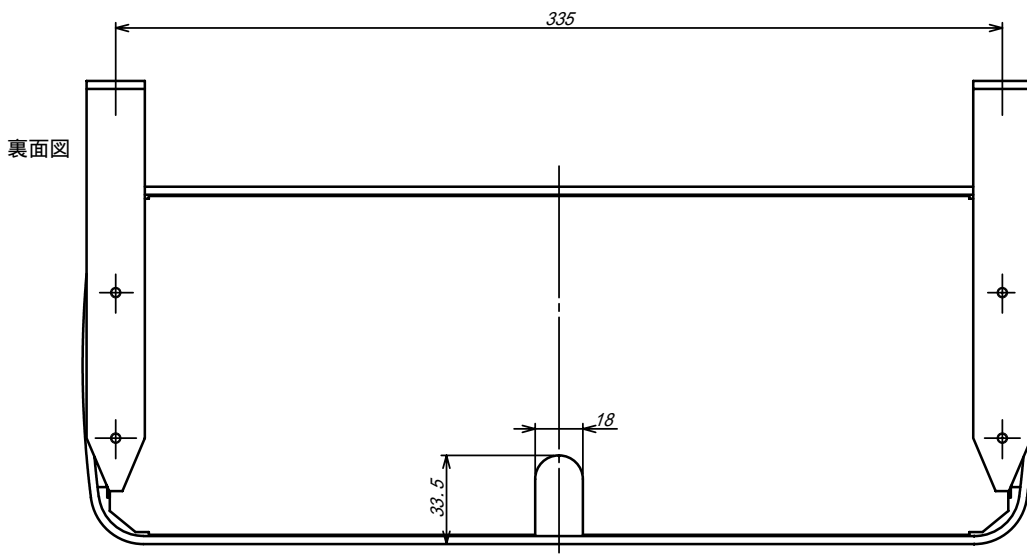
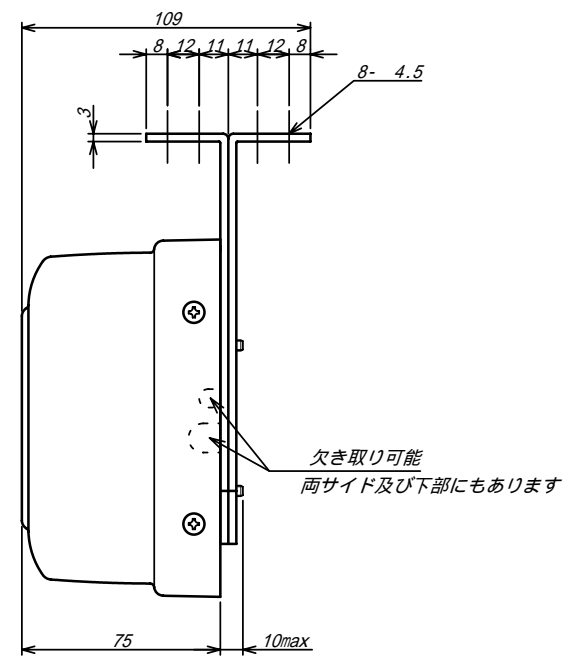
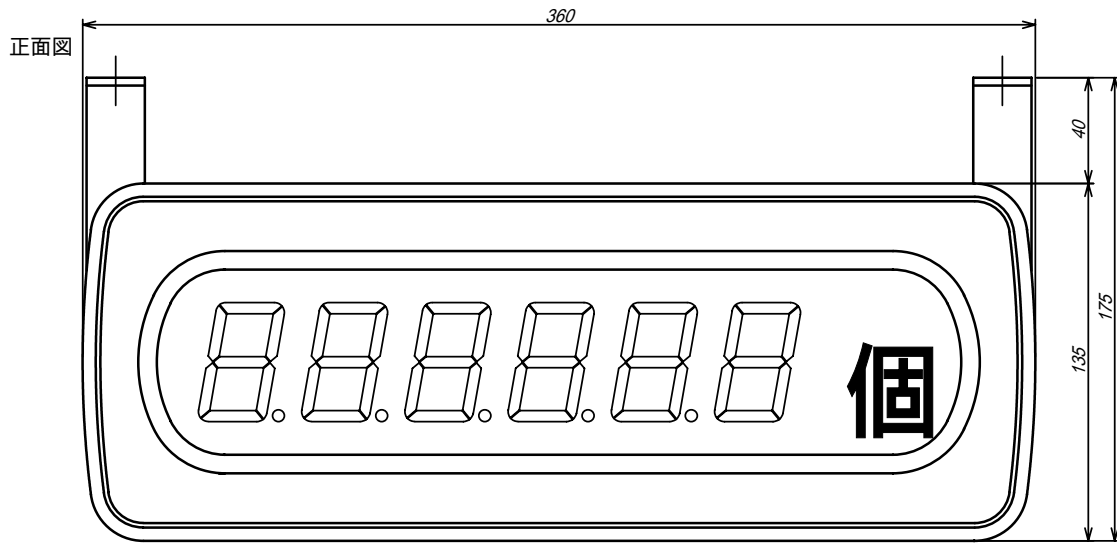
欠き取り可能  
両サイド及び下部にもあります

裏面図



単位 : mm

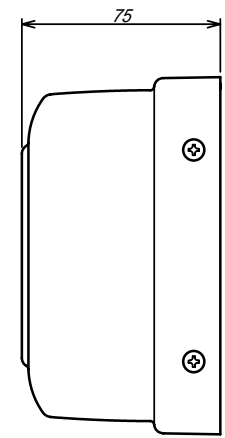
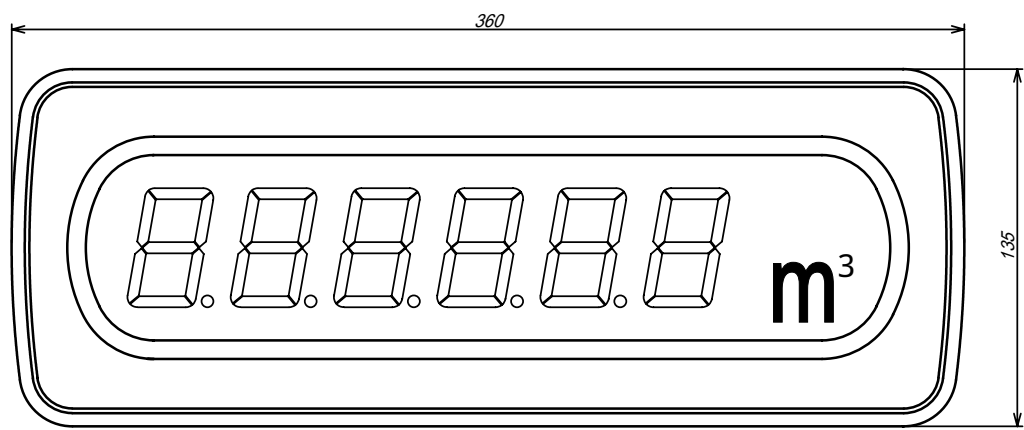
REVISED	DATE	Feb. 28, 2003	APPROVED BY	TITLE
	SCALE		CHECKED BY	4015-51 壁掛け取付外形図
	DESIGNED BY		DRAWN BY	DRAWING No.
	TSURUGA ELECTRIC CORPORATION			FC-01193



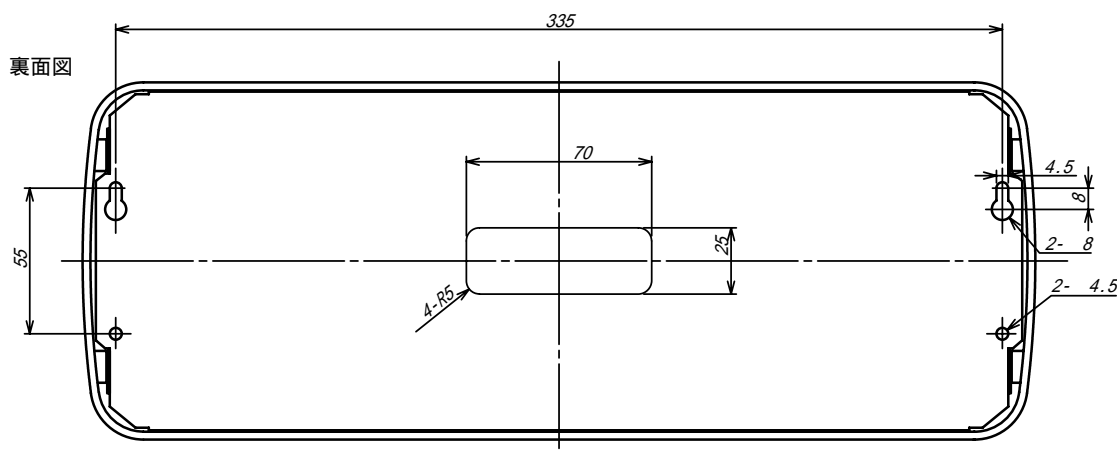
単位 : mm

REVISED	DATE	Feb. 28, 2003	APPROVED BY	TITLE
	SCALE		CHECKED BY	4015-52 吊り下げ取付外形図
	DESIGNED BY		DRAWN BY	DRAWING No.
	TSURUGA ELECTRIC CORPORATION			FC-01194

正面図



裏面図



単位 : mm

TSURUGA ELECTRIC CORPORATION. All rights reserved.

REVISED	DATE	Feb. 28, 2003	APPROVED BY	TITLE
	SCALE		CHECKED BY	4 0 1 5 - 5 3 壁面張り付け取付外形図
	DESIGNED BY		DRAWN BY	DRAWING No.
	TSURUGA ELECTRIC CORPORATION			FC-01195