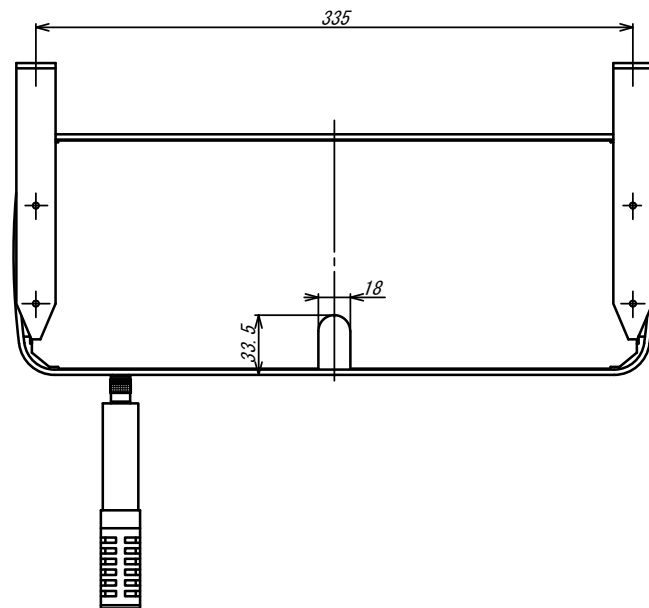
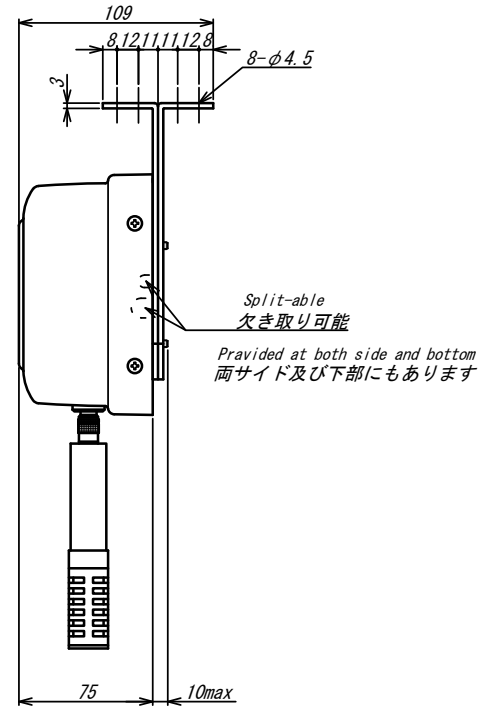
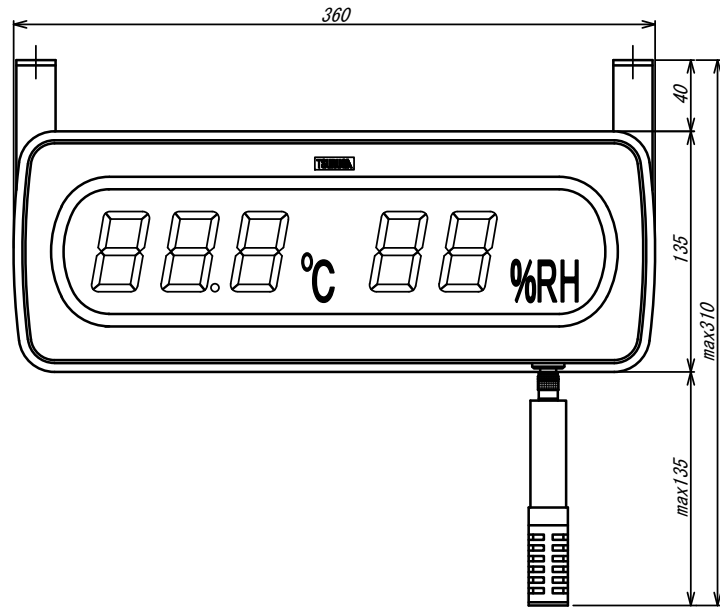


TSURUGA ELECTRIC CORPORATION. All rights reserved.

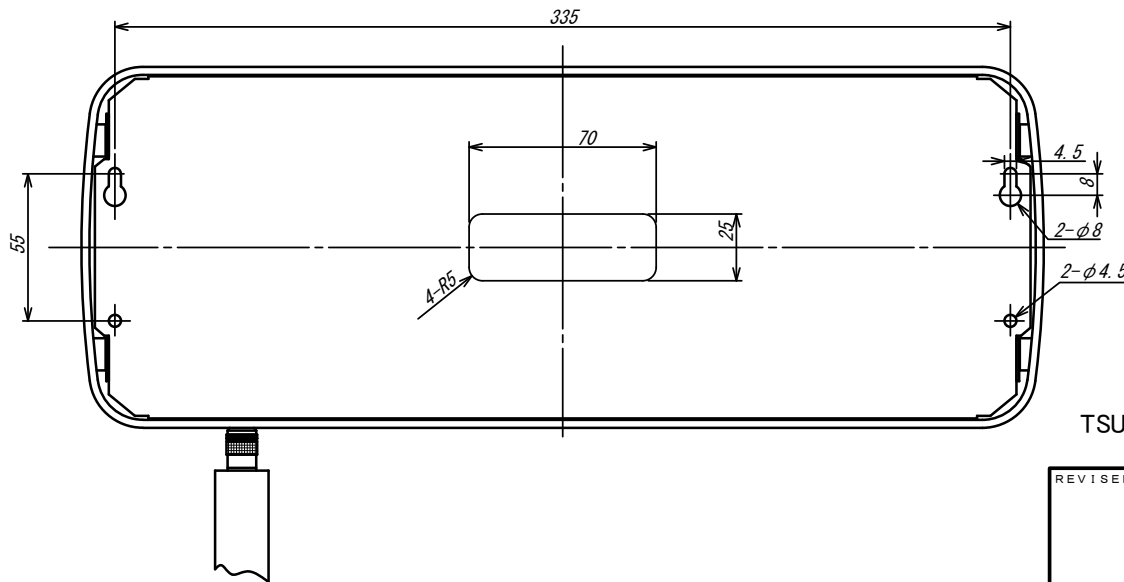
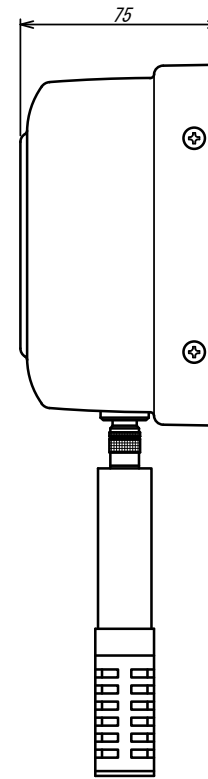
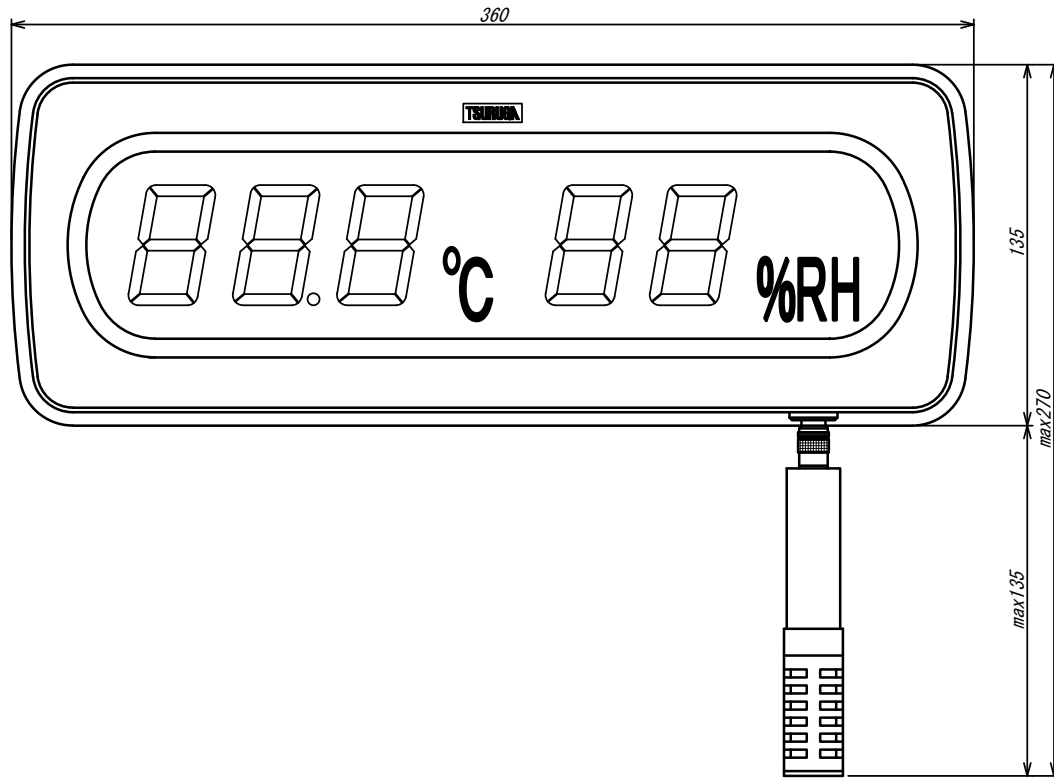
REVISED	DATE	Oct. 27, 2006	APPROVED BY	TITLE 4016-□-51-20-000 Wall-mount 壁掛け取付
	SCALE		CHECKED BY	
	DESIGNED BY	S. Okano	DRAWN BY	S. Okano
	TSURUGA ELECTRIC CORPORATION			DRAWING No. FC-01338-1

Oct. 20, 2009 S. Okano



TSURUGA ELECTRIC CORPORATION. All rights reserved.

REVISED	DATE	oct. 27, 2006	APPROVED BY	TITLE 4016-□-52-20-000 Lift-mount 吊り下げ取付 DRAWING No. FC-01339-1	
	SCALE		CHECKED BY		
	DESIGNED BY	S. Okano	DRAWN BY		S. Okano
	TSURUGA ELECTRIC CORPORATION				1/1
Oct. 20, 2009 S. Okano					



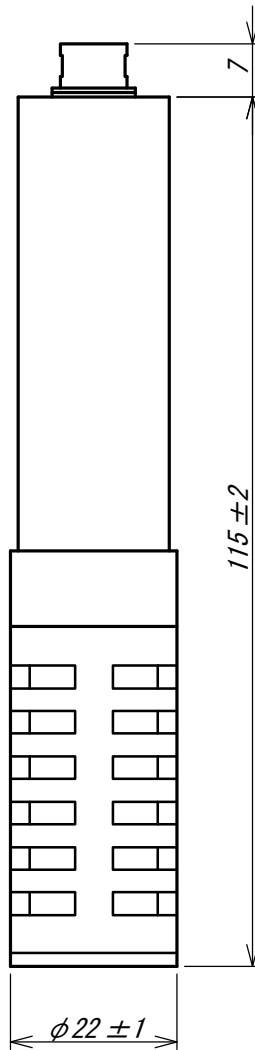
TSURUGA ELECTRIC CORPORATION. All rights reserved.

REVISED	DATE	Oct. 27, 2006	APPROVED BY	TITLE 4016-□-53-20-000 Implant-mount 壁面張り付け取付
	SCALE	1:2	CHECKED BY	
	DESIGNED BY	S. Okano	DRAWN BY	DRAWING No.
				FC-01340-1
				1/1

Oct. 20, 2009 S. Okano

TSURUGA ELECTRIC CORPORATION

DRAWING No. FB-00686-2 1/1



TSURUGA ELECTRIC CORPORATION. All Rights Reserved.

REVISED	DATE	Mar. 8. 2006	APPROVED BY	TITLE
	SCALE		CHECKED BY	
△ Oct. 20. 2009 S. Okano △ Jun. 27. 2006 N. Mizutani	DESIGNED BY	S. Okano	DRAWN BY	N. Mizutani
	TSURUGA ELECTRIC CORPORATION			DRAWING No.