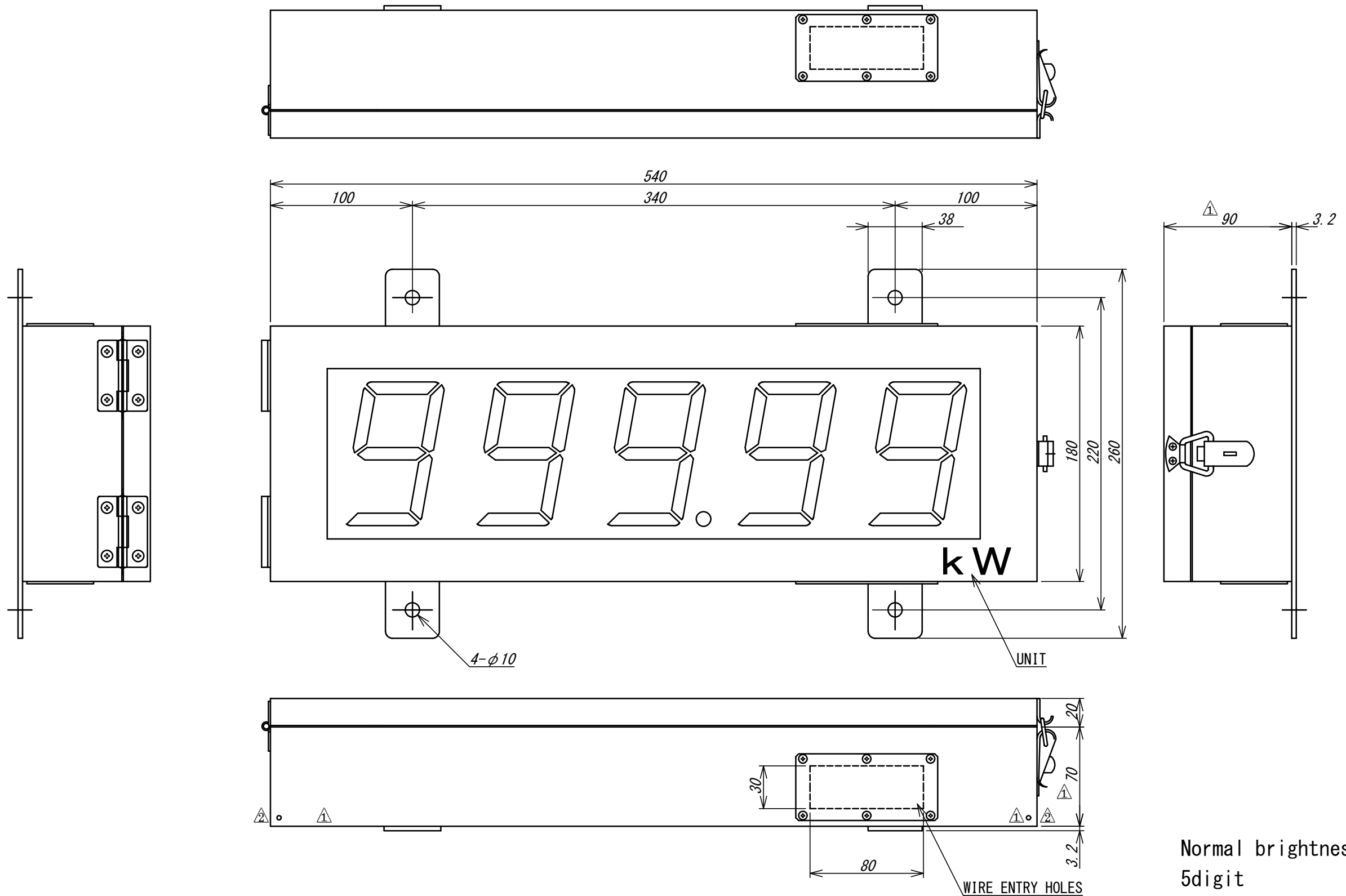


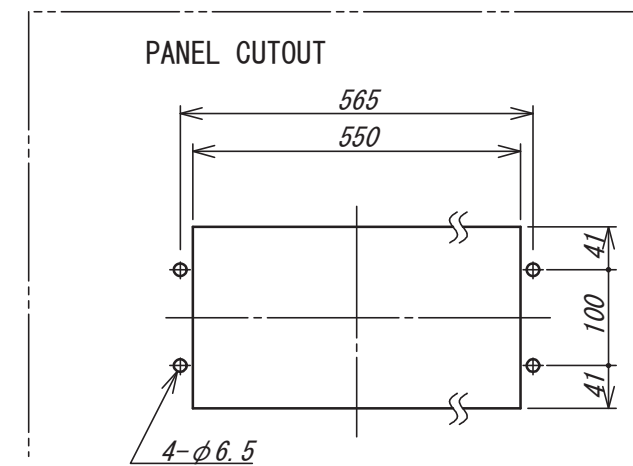
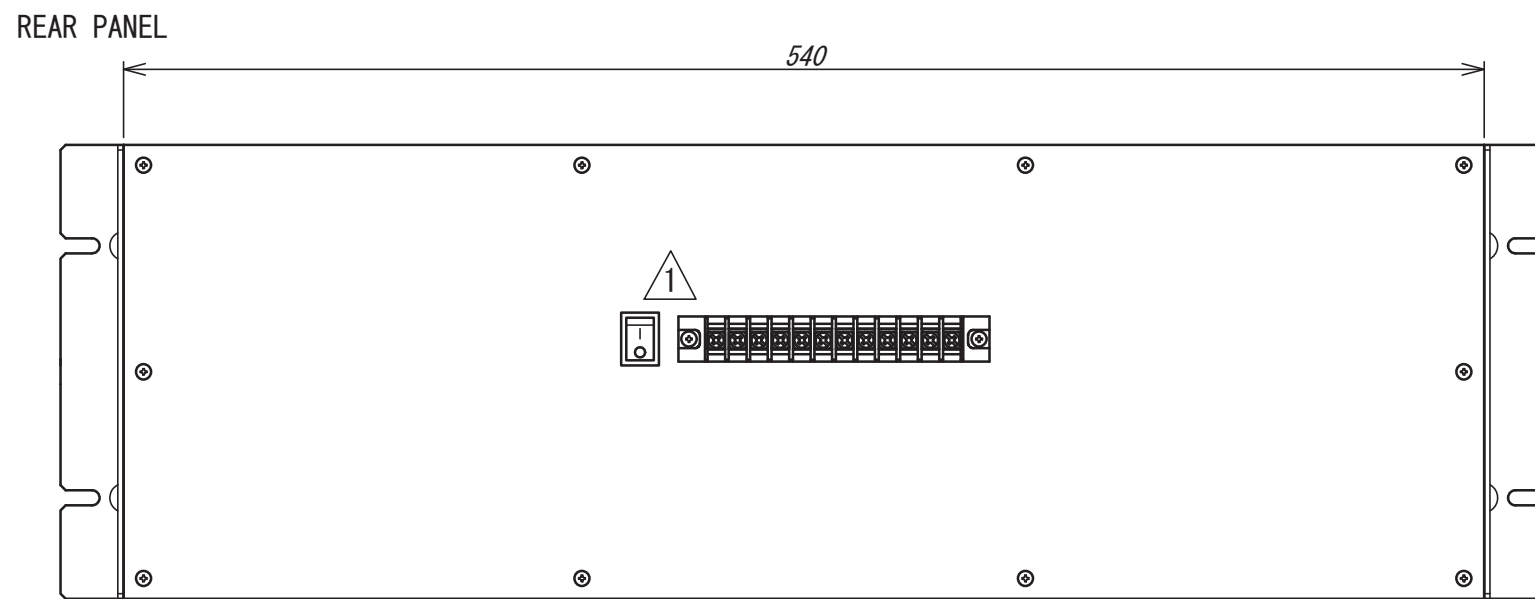
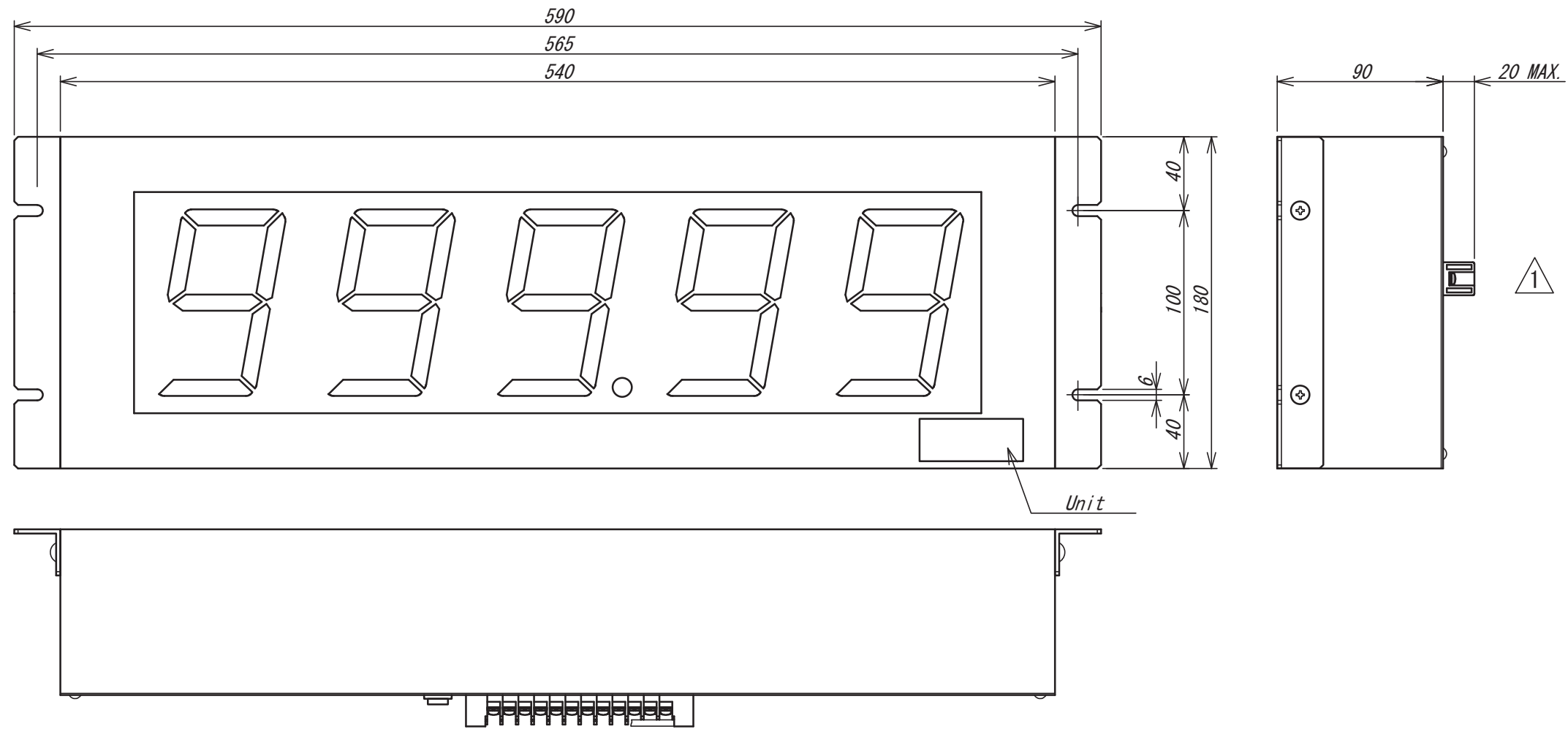
TSURUGA ELECTRIC CORPORATION All Rights Reserved.

REVISED	DATE	APPROVED BY	TITLE
	Oct. 25, 2010		
▲2022/12/21 Y. MORIKANE ▲2021/02/19 Y. MORIKANE ▲Mar. 26, 2012 H. Matsunami	SCALE	CHECKED BY	DRAWING No.
	DESIGNED BY	DRAWN BY	
TSURUGA ELECTRIC CORPORATION			



TSURUGA ELECTRIC CORPORATION All Rights Reserved.

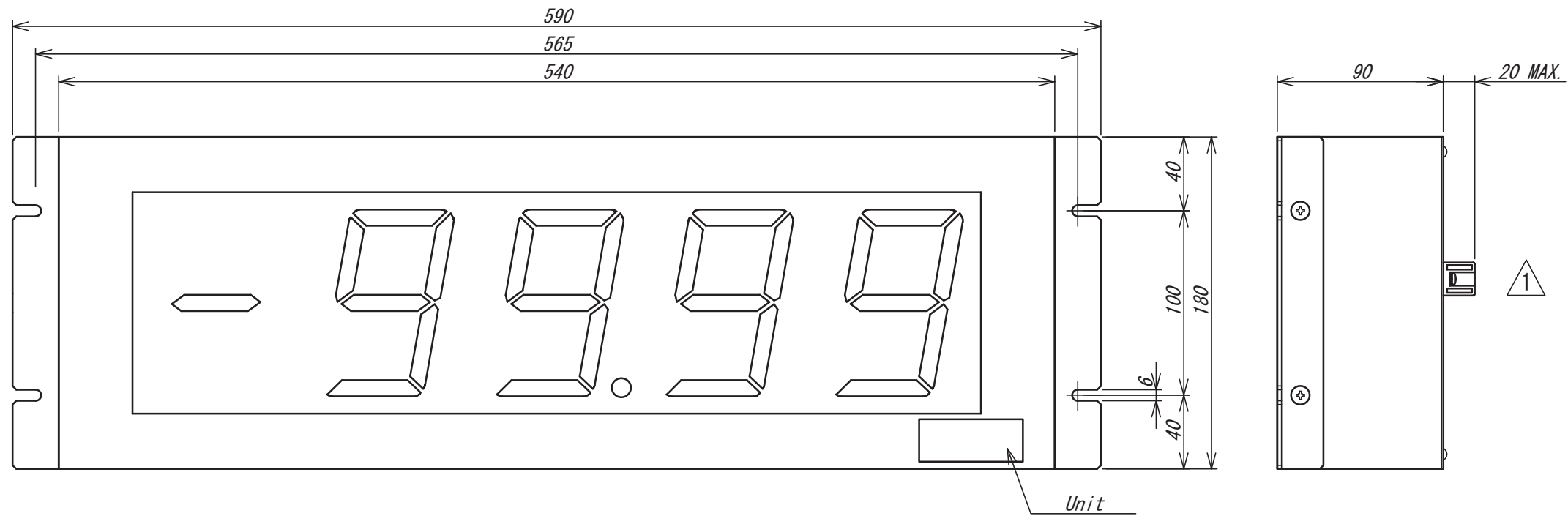
REVISED	DATE	Dec. 5, 2011	APPROVED BY	TITLE
	SCALE		CHECKED BY	
2022/12/21 Y. MORIKANE 2021/02/19 Y. MORIKANE	DESIGNED BY		DRAWN BY	3017 BCD Input DRAWING No. FC-01559-2 1/1
	TSURUGA ELECTRIC CORPORATION			



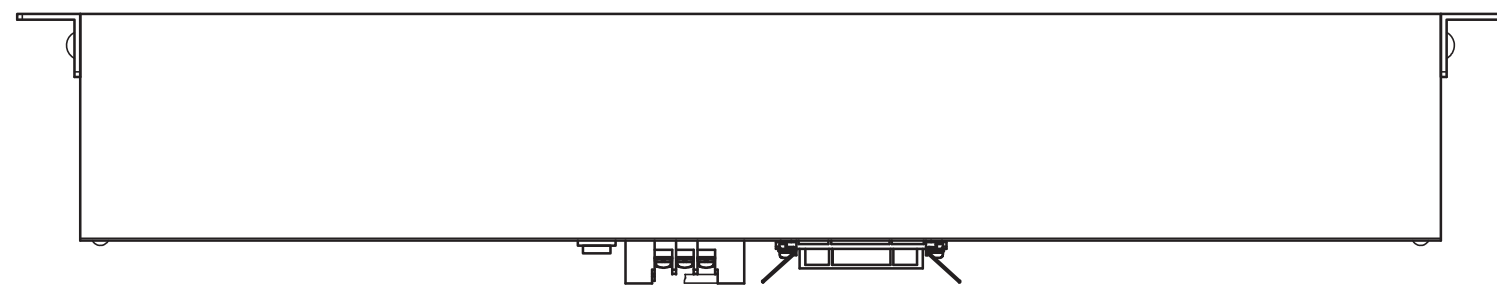
TSURUGA ELECTRIC CORPORATION All rights reserved.

REVISED	DATE	2021/07/12	APPROVED BY	TITLE
	CHECKED BY			3017 Analog input Panel mount type
	SCALE		DRAWN BY	DRAWING No.
	TSURUGA ELECTRIC CORPORATION			FC-01763-1 1/2

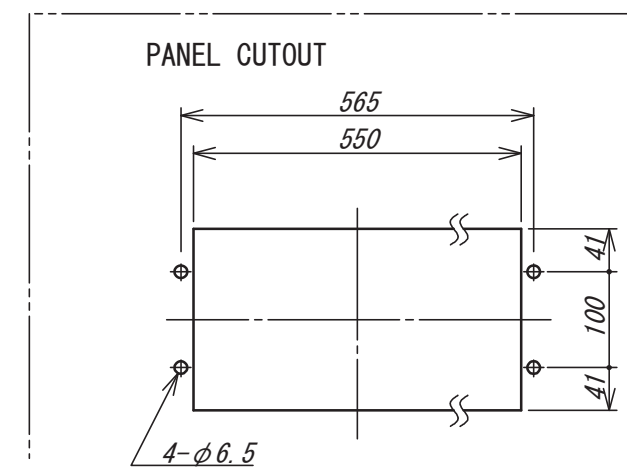
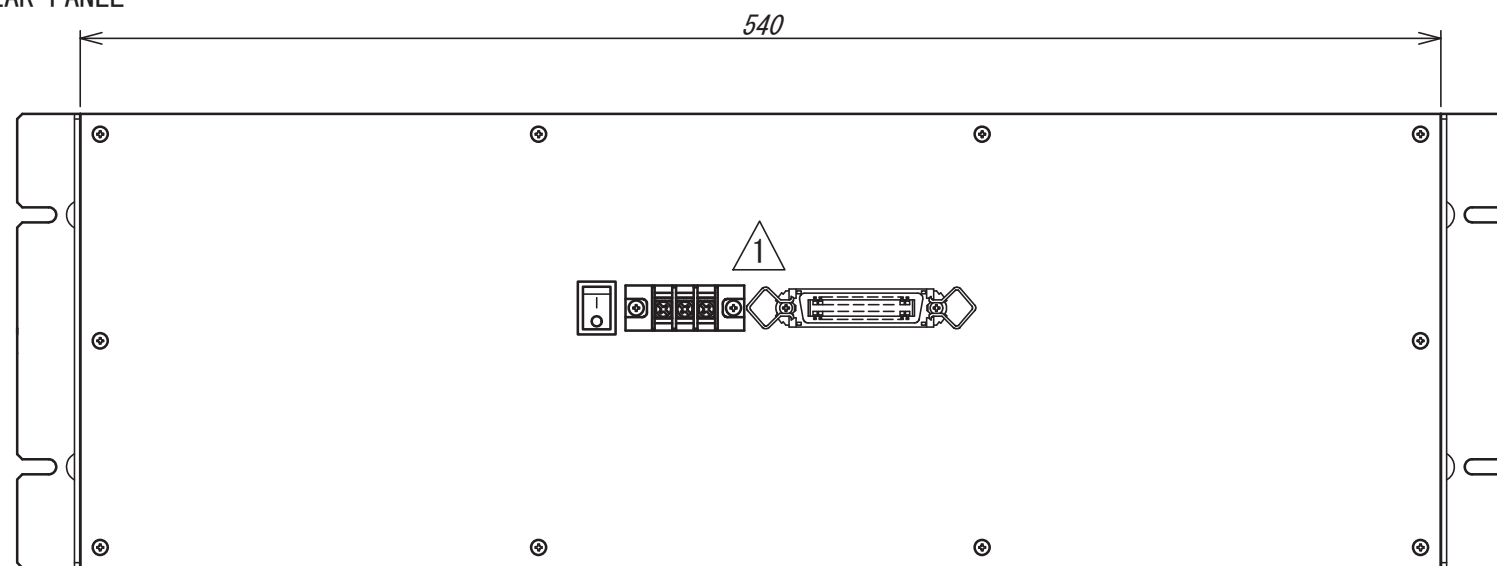
△2022.3.14 端子台等の配置修正 H.Mitsumoto



4-digit display



REAR PANEL



TSURUGA ELECTRIC CORPORATION All rights reserved.

REVISED	DATE	2021/07/12	APPROVED BY	TITLE
	CHECKED BY			3017 BCD input Panel mount type
	SCALE		DRAWN BY	DRAWING No.
	TSURUGA ELECTRIC CORPORATION			FC-01763-1 2/2