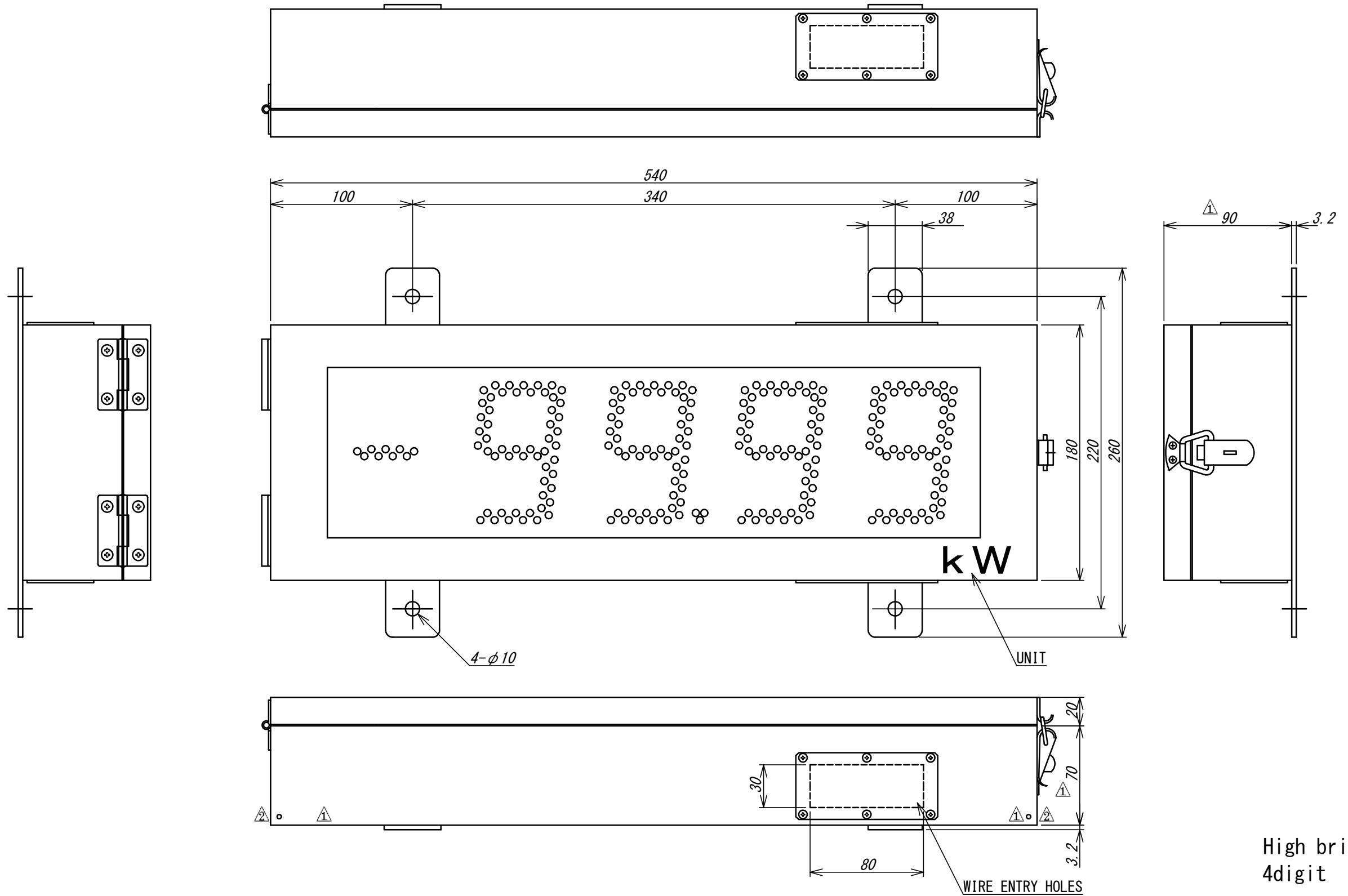


TSURUGA ELECTRIC CORPORATION All Rights Reserved.

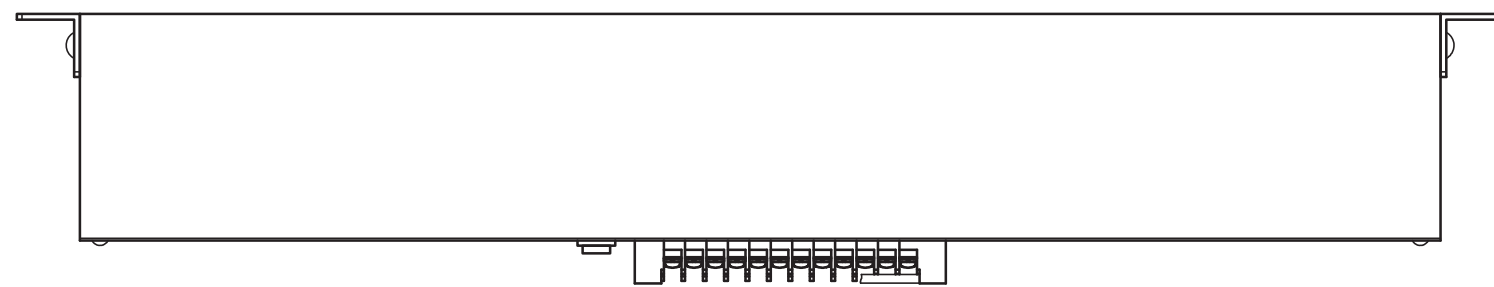
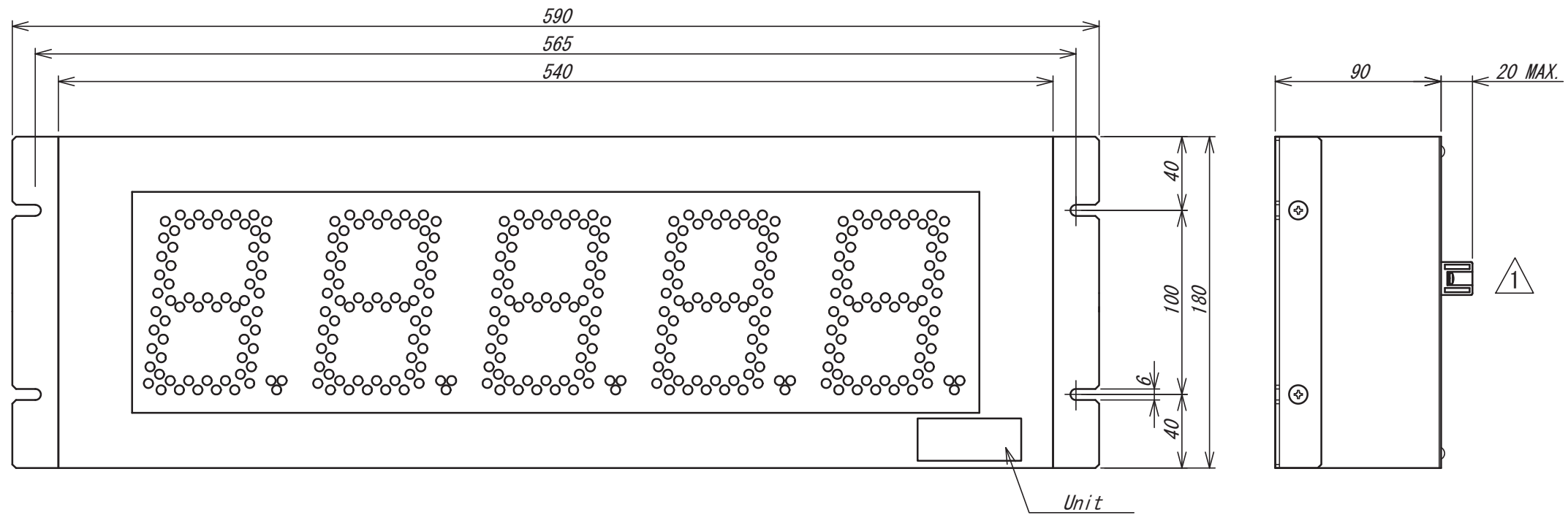
REVISED	DATE	Nov. 15, 2011	APPROVED BY	TITLE
	SCALE		CHECKED BY	
⚠ 2022/12/21 Y. MORIKANE ⚠ 2021/02/19 Y. MORIKANE	DESIGNED BY		DRAWN BY	3018 (Analog Input) DRAWING No. FC-01545-2
	TSURUGA ELECTRIC CORPORATION			



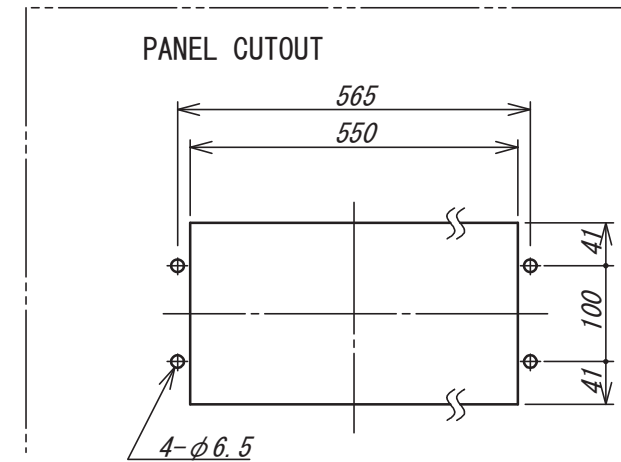
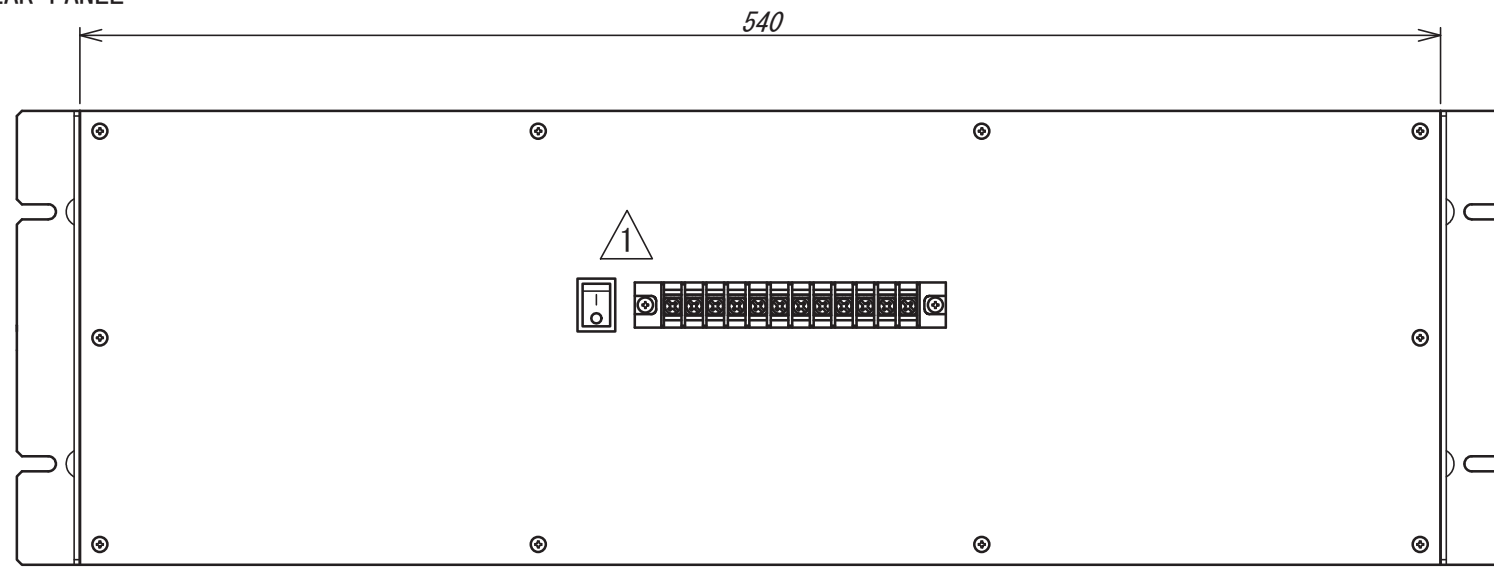
High brightness
4digit

TSURUGA ELECTRIC CORPORATION All Rights Reserved.

REVISED	DATE	Dec. 5, 2011	APPROVED BY	TITLE
	SCALE		CHECKED BY	
△2022/12/21 Y. MORIKANE △2021/02/19 Y. MORIKANE	DESIGNED BY		DRAWN BY	DRAWING No. FC-01549-2
	TSURUGA ELECTRIC CORPORATION			



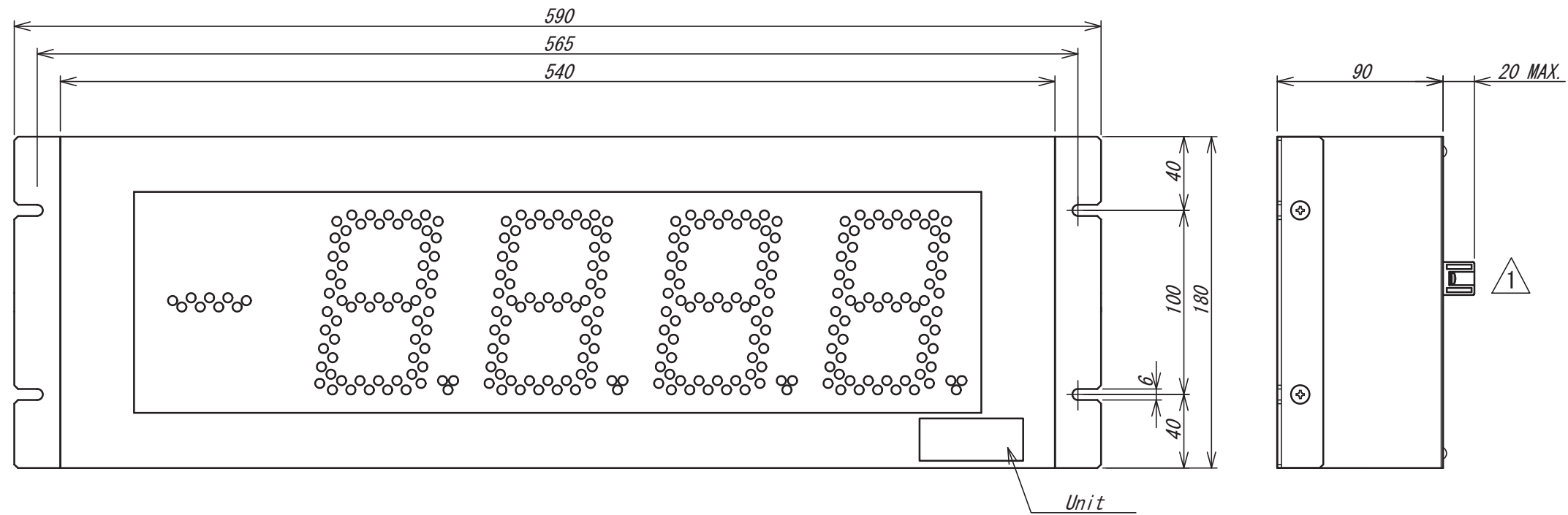
REAR PANEL



TSURUGA ELECTRIC CORPORATION All rights reserved.

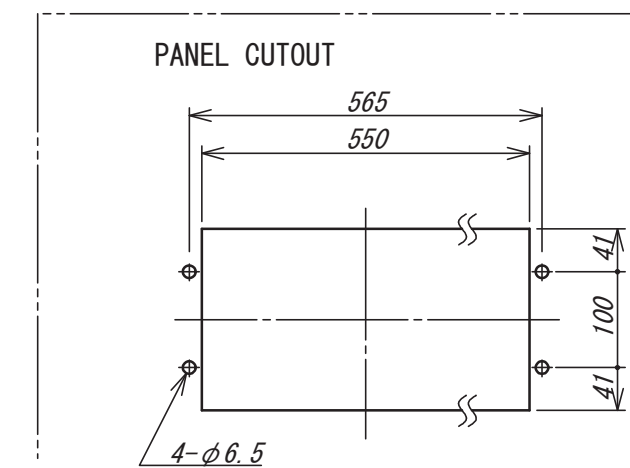
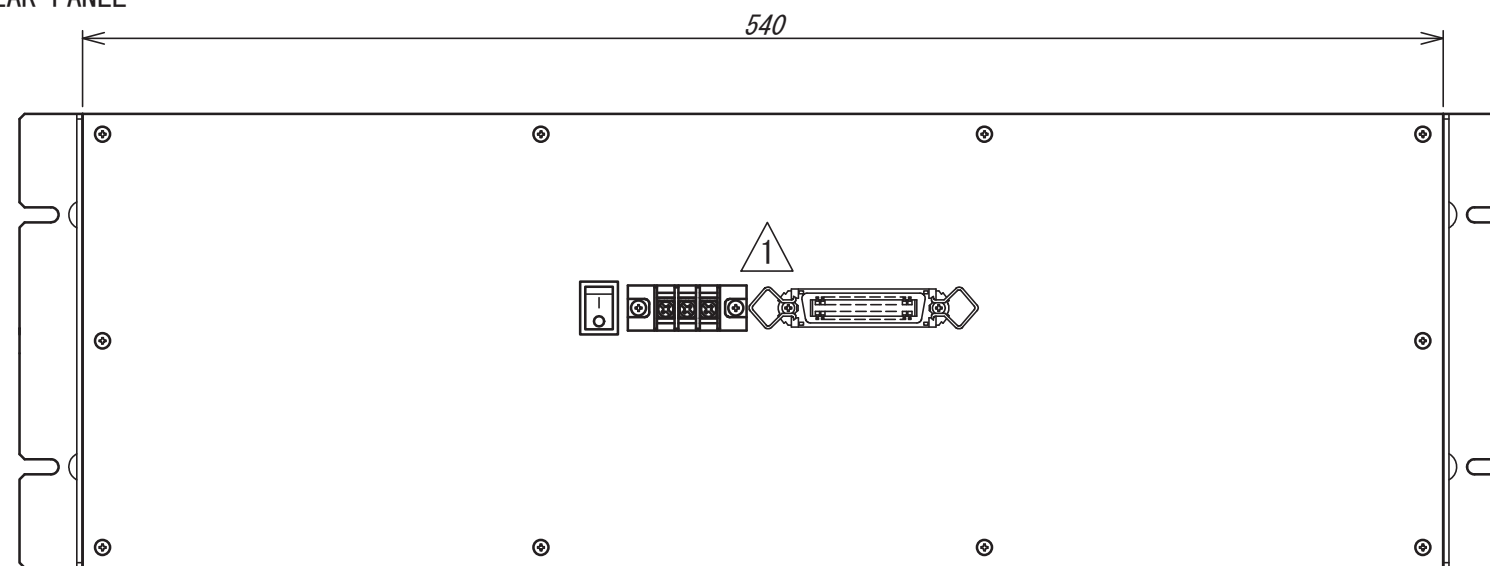
REVISED	DATE	2021/07/12	APPROVED BY	TITLE
	CHECKED BY			3018 Analog input Panel mount type
	SCALE		DRAWN BY	DRAWING No.
TSURUGA ELECTRIC CORPORATION				FC-01764-1 1/2

△2022.3.14 端子台等の配置修正 H.Mitsumoto



4-digit display

REAR PANEL



TSURUGA ELECTRIC CORPORATION All rights reserved.

REVISED	DATE	2021/07/12	APPROVED BY	TITLE
	CHECKED BY			3018 BCD input Panel mount type
	SCALE		DRAWN BY	DRAWING No.
	TSURUGA ELECTRIC CORPORATION			FC-01764-1 2/2