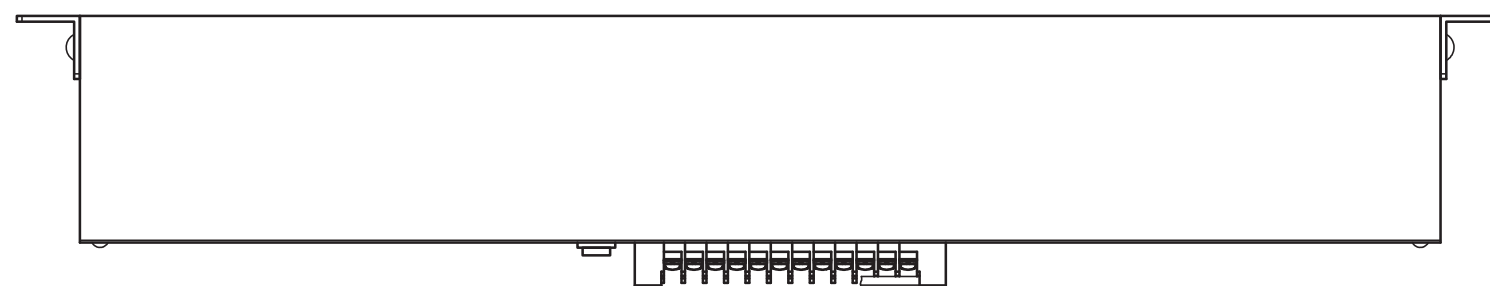
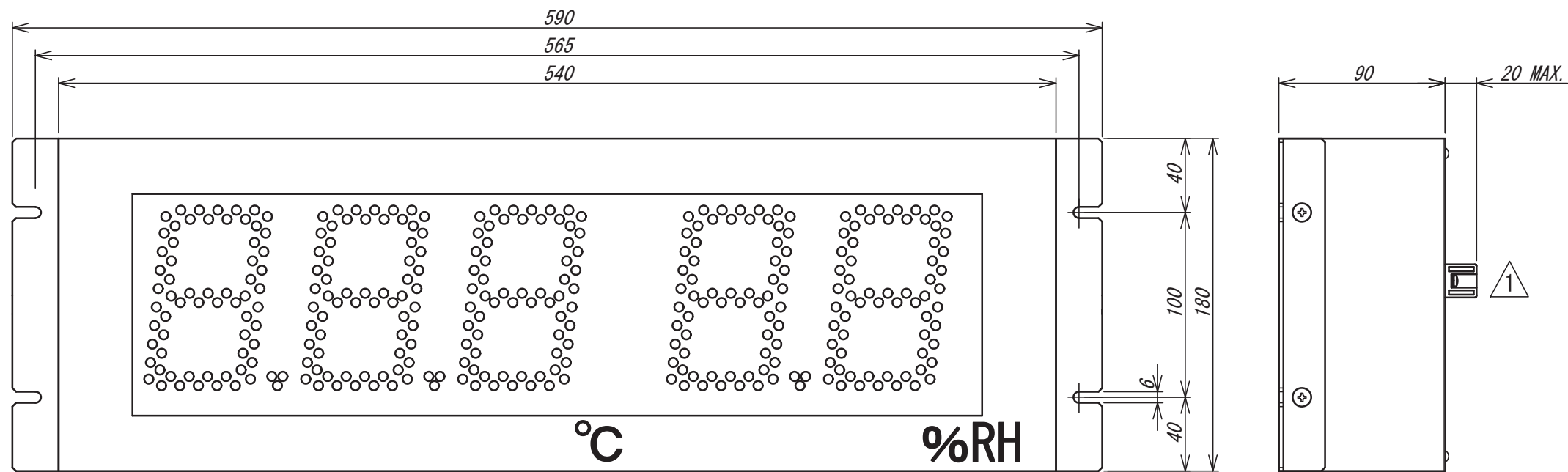
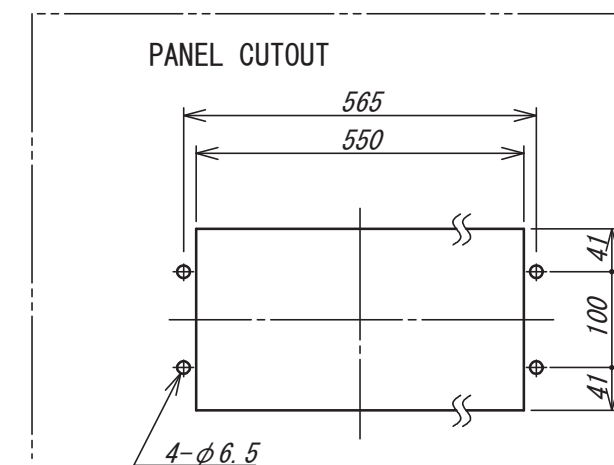
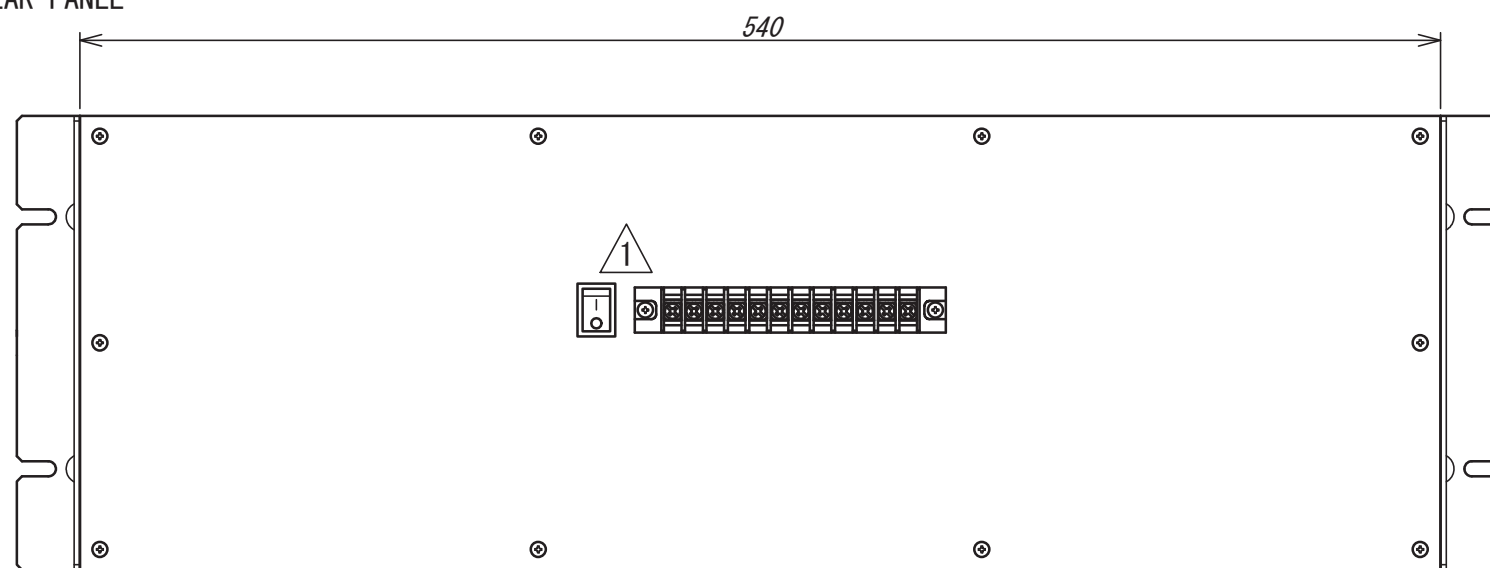


TSURUGA ELECTRIC CORPORATION All Rights Reserved.

REVISED ▲2022/12/20 MORIKANE Y. ▲2019/06/20 K. Yamashita ▲2019/05/22 K. Kumano ▲2019/03/27 K. Kumano ▲2018/12/10 K. Osako	DATE Sep. 12, 2018	APPROVED BY	TITLE 3019
	SCALE 	CHECKED BY	
	DESIGNED BY	DRAWN BY	DRAWING No. FC-01720-5
	TSURUGA ELECTRIC CORPORATION		1/1



REAR PANEL



TSURUGA ELECTRIC CORPORATION All rights reserved.

REVISED	DATE	2021/07/12	APPROVED BY	TITLE
	CHECKED BY			3019 Panel mount type
	SCALE		DRAWN BY	DRAWING No.
	TSURUGA ELECTRIC CORPORATION			FC-01750-1 1/1

2022.3.14 端子台等の配置修正 H.Mitsumoto