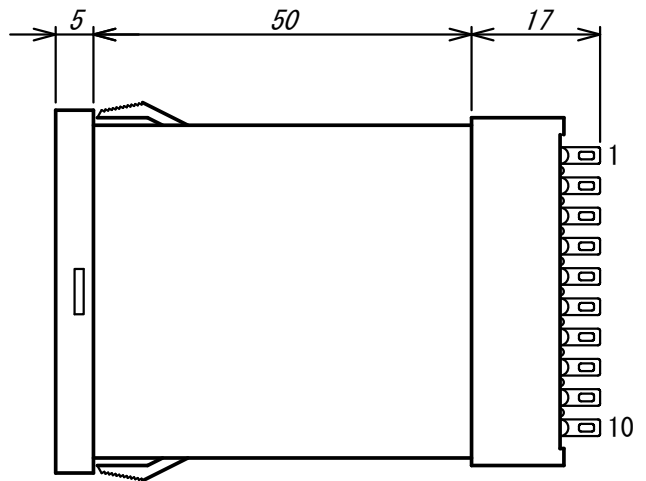


Rear



Bottom

パネルカット寸法 $45^{+0.5} \times 22.2^{+0.3}$

TSURUGA ELECTRIC CORPORATION. All rights reserved.

REVISED	DATE <i>Apr. 20, 2012</i>	APPROVED BY	TITLE 3 1 2 8	
	SCALE 	CHECKED BY	DRAWING No. <i>FB-00796</i>	
	DESIGNED BY <i>N. Mizutani</i>	DRAWN BY <i>N. Mizutani</i>		
	TSURUGA ELECTRIC CORPORATION			