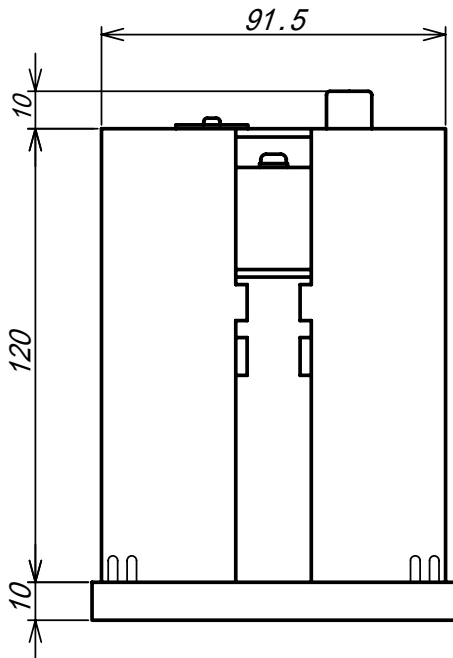
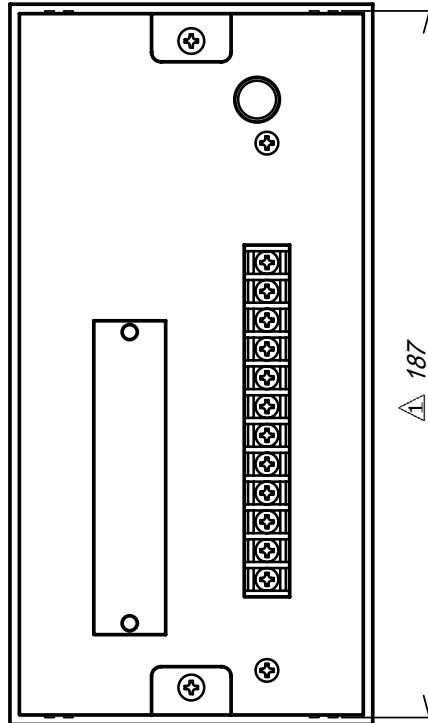
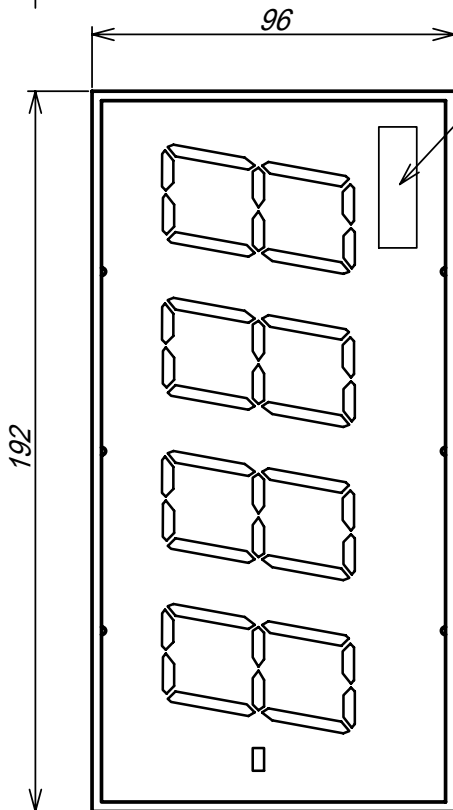


DRAWING No. **FB-00174-1**



Panel cut-out dimension : $188^{+0.8}_0$ x $92^{+0.8}_0$

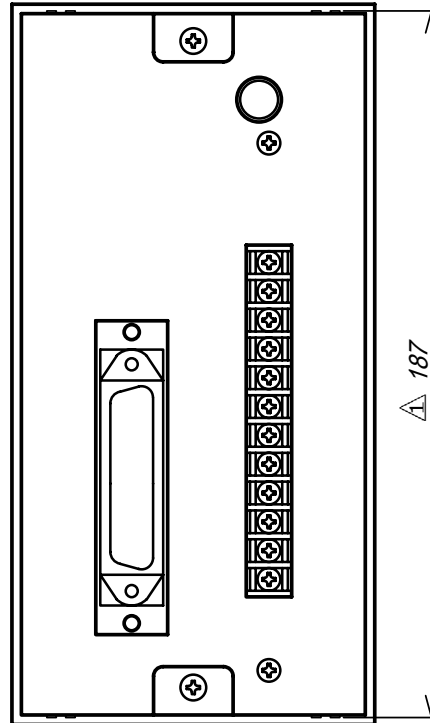
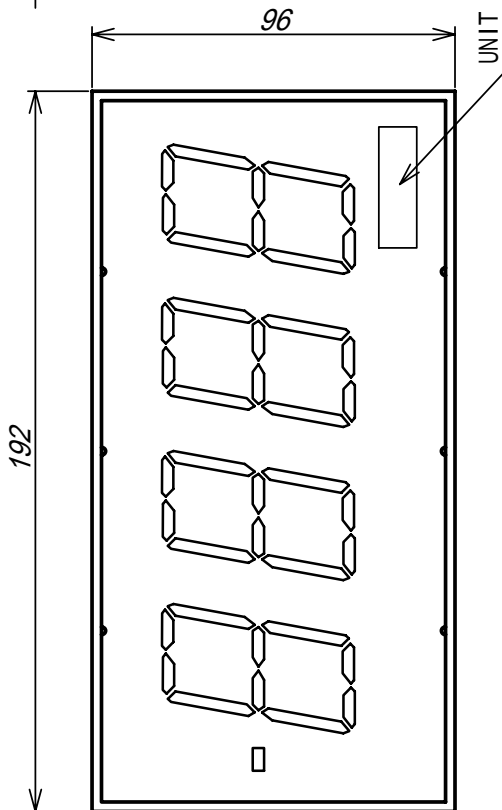
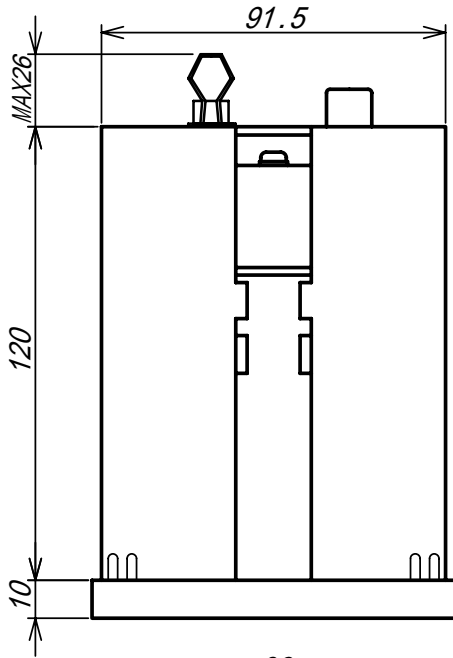
Terminal screws : M3



TSURUGA ELECTRIC CORPORATION . A l l r i g h t s r e s e r v e d .

REVISED	DATE <i>JUL. 16. 1990</i>	APPROVED BY	TITLE 3153A
	SCALE	CHECKED BY	
	DESIGNED BY	DRAWN BY <i>S. Hayashi</i>	DRAWING No.
2007, 12, 10 S. Hayashi	TSURUGA ELECTRIC CORPORATION		<i>FB-00174-1</i>

DRAWING No. FB-00175-1



Panel cut-out dimension : $188^{+0.8}_0$ x $92^{+0.8}_0$

Terminal screws : M3

TSURUGA ELECTRIC CORPORATION . All rights reserved .

REVISED

DATE JUL. 16. 1990

APPROVED BY

TITLE

SCALE 1 : 2



CHECKED BY

3153A-B, D

DESIGNED BY

DRAWN BY S. Hayashi

DRAWING No.

2007, 12, 10 S. Hayashi

TSURUGA ELECTRIC CORPORATION

FB-00175-1