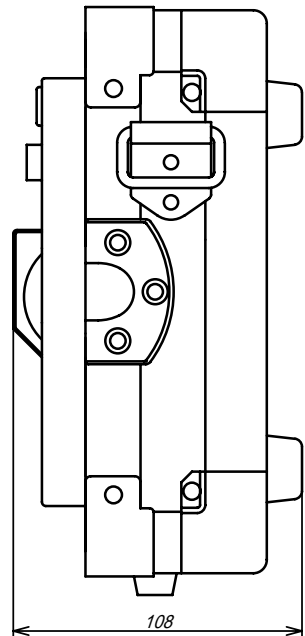
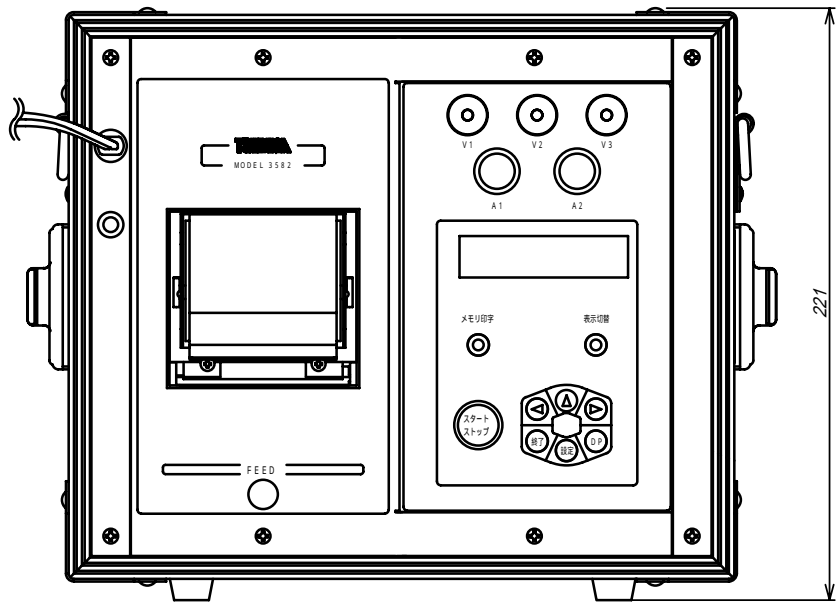
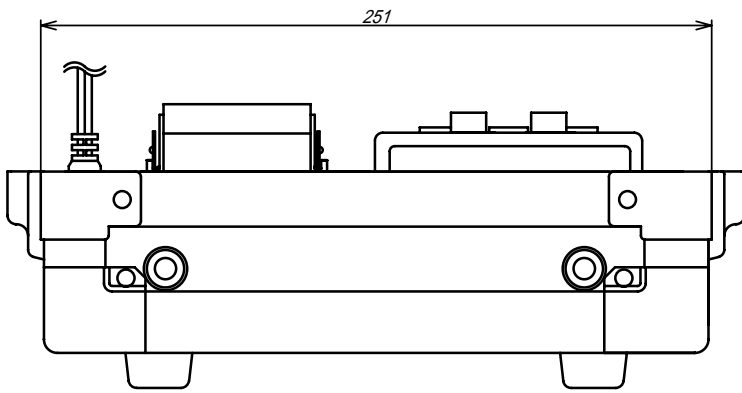
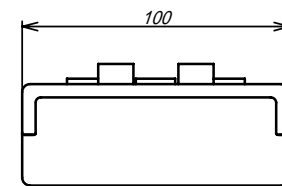
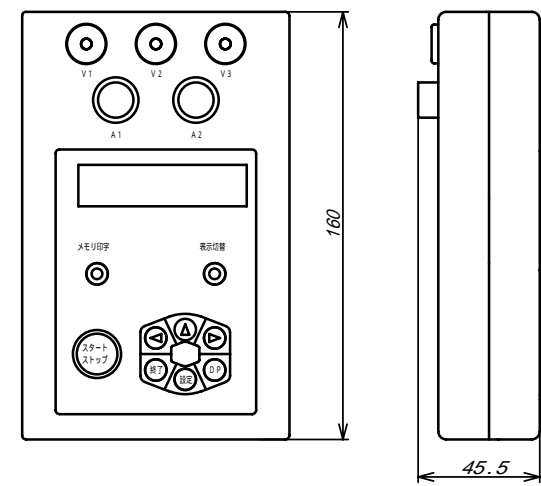


REVISED	DATE	APPROVED BY	TITLE
	SCALE	CHECKED BY	3 5 8 2 電力モニタ
	DESIGNED BY	DRAWN BY	外形図
	TSURUGA ELECTRIC CORPORATION		DRAWING No. FC-01106-2 2/2



計測ケース部



REVISED	DATE	APPROVED BY	TITLE 3582 電力モニタ 外形図 DRAWING No. FC-01106-2
	SCALE	CHECKED BY	
	DESIGNED BY	DRAWN BY	
	TSURUGA ELECTRIC CORPORATION		