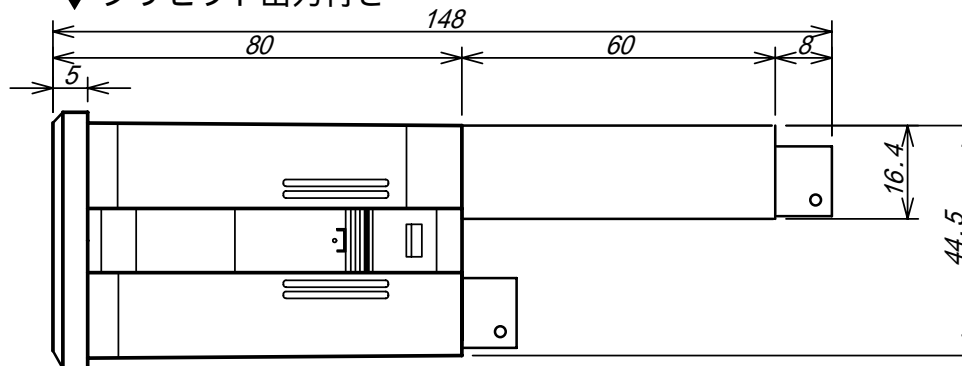
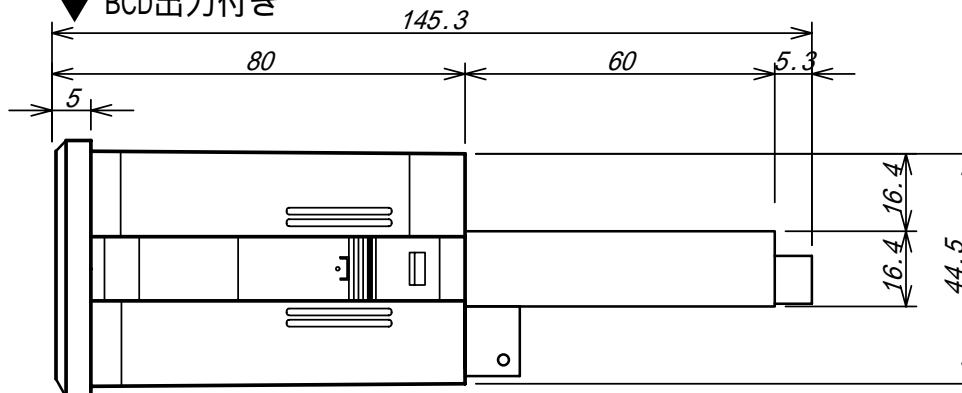


単位：mm

▼ プリセット出力付き



▼ BCD出力付き



パネルカット寸法:  $92^{+0.8} \times 45^{+0.6}$

TSURUGA ELECTRIC CORPORATION. All rights reserved.

REVISED	DATE	APPROVED BY	TITLE 3 9 2 7
	SCALE	CHECKED BY	
	DESIGNED BY	DRAWN BY	DRAWING No.
	TSURUGA ELECTRIC CORPORATION		