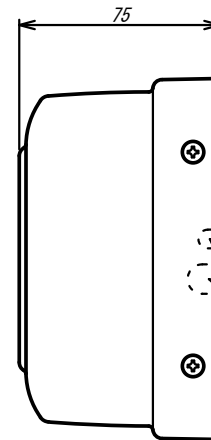
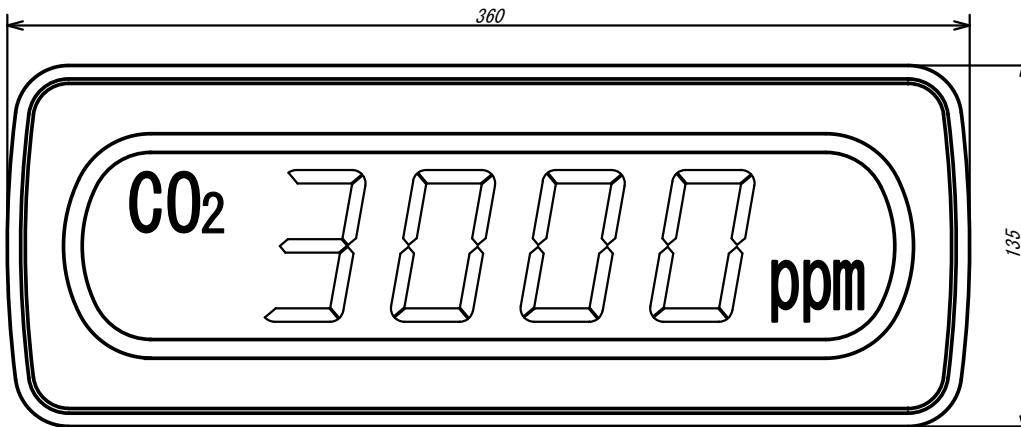
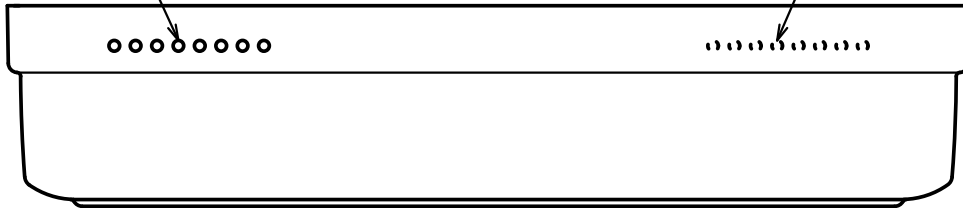
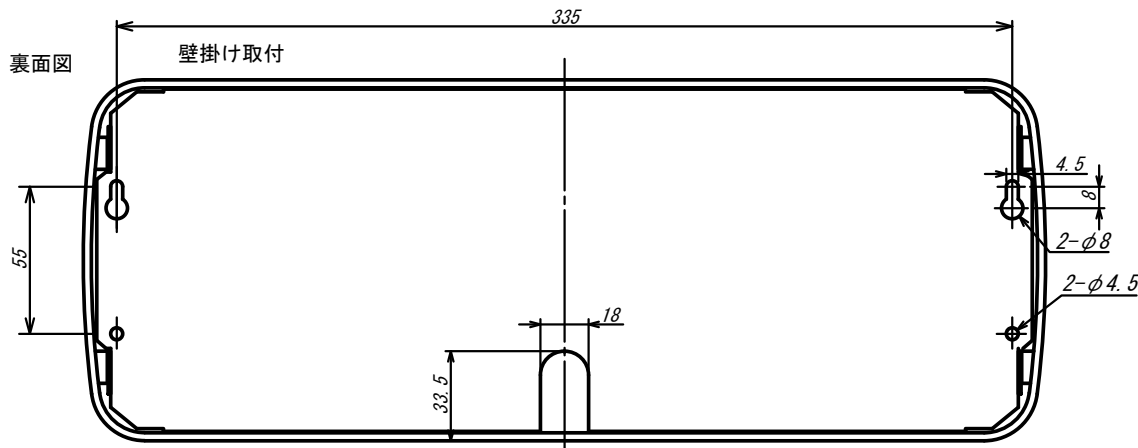


上部通風口

下部通風口

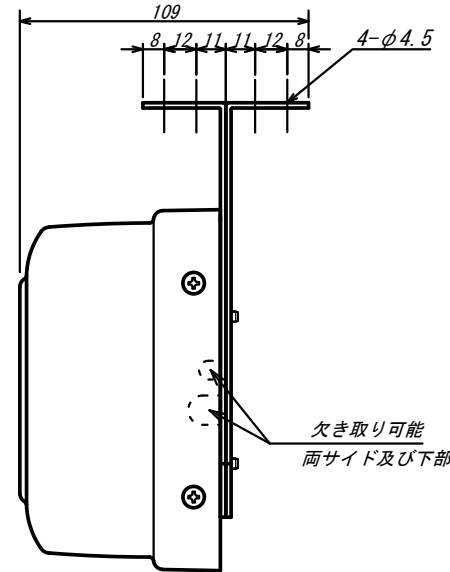
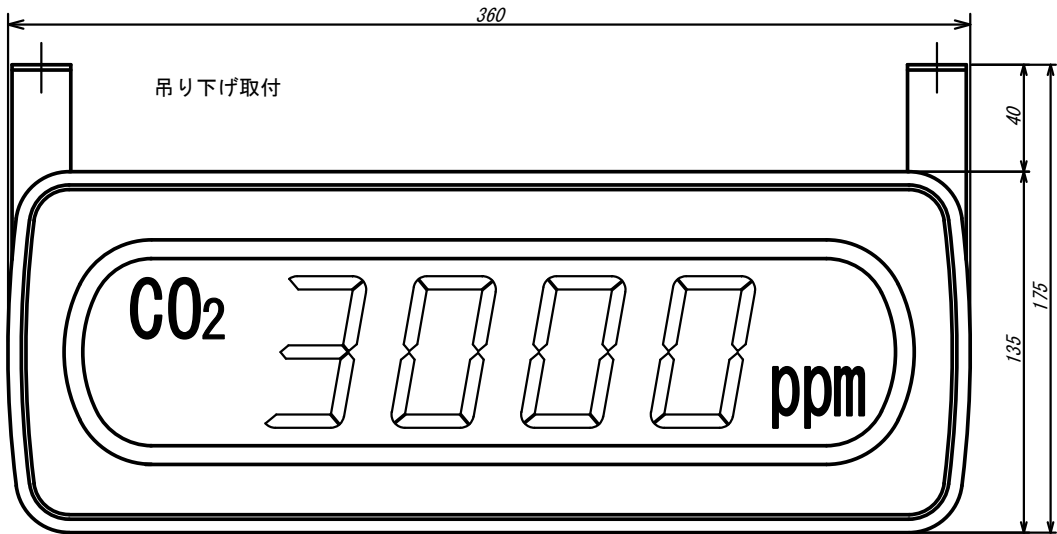
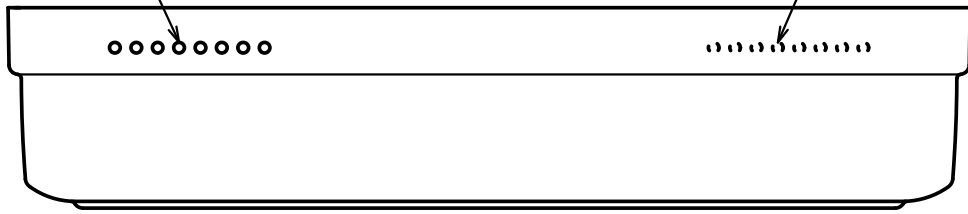


欠き取り可能
両サイド及び下部にもあります

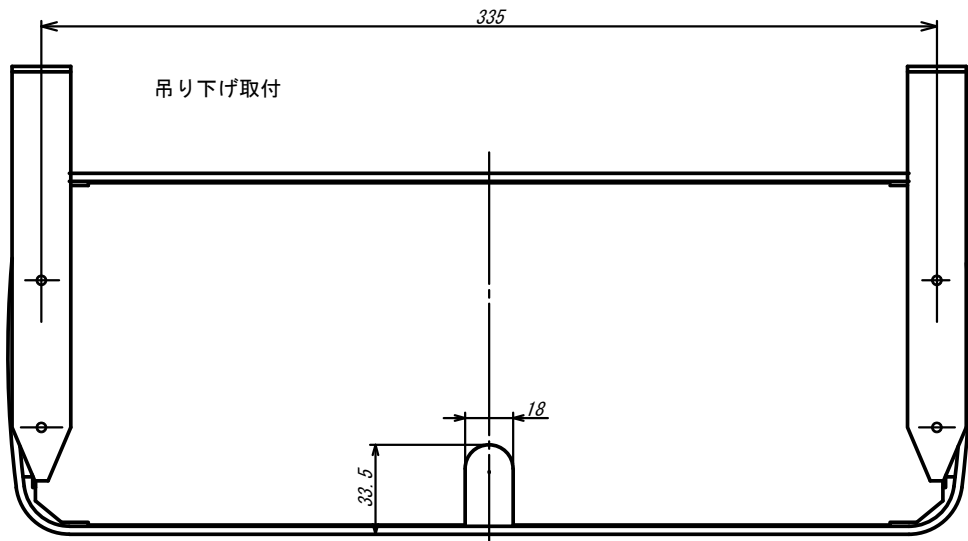


REVISED	DATE	Feb. 14, 2008	APPROVED BY	TITLE 4019	
	SCALE		CHECKED BY		
	DESIGNED BY	S. Mayumi	DRAWN BY		S. Mayumi
	TSURUGA ELECTRIC CORPORATION				DRAWING No. FC-01395
				1/2	

上部通風口 下部通風口



裏面図



TSURUGA ELECTRIC CORPORATION. All rights reserved.

REVISED	DATE	Feb. 14, 2008	APPROVED BY	TITLE	
	SCALE		CHECKED BY		4019
	DESIGNED BY	S. Mayumi	DRAWN BY	S. Mayumi	DRAWING No.
	TSURUGA ELECTRIC CORPORATION				FC-01395