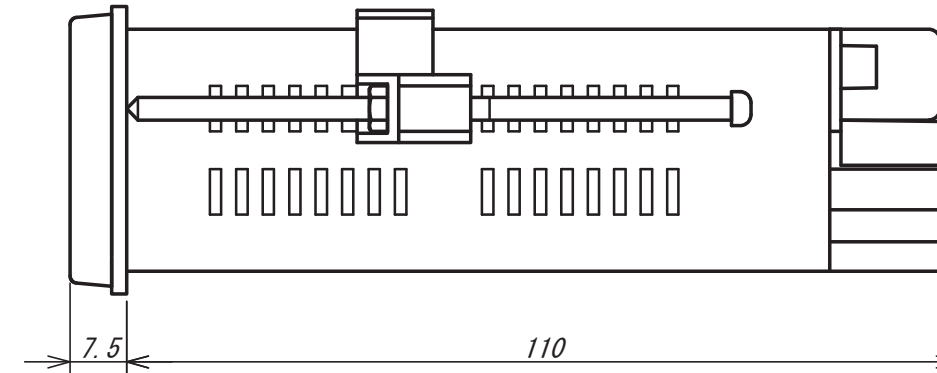
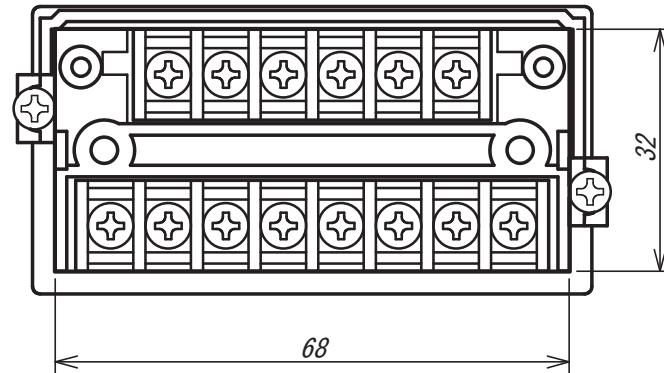


パネルカット寸法 : $68.5^{+0.5}_0 \times 32.5^{+0.5}_0$
 防水用パッキン寸法 : 74×38
 端子ねじ : M3

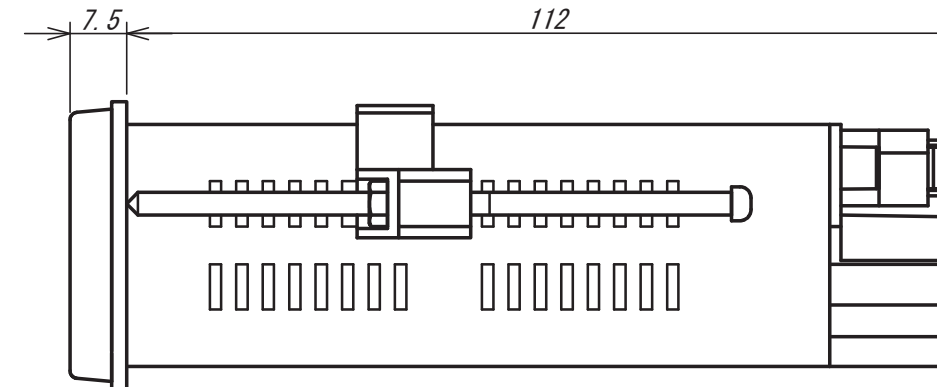
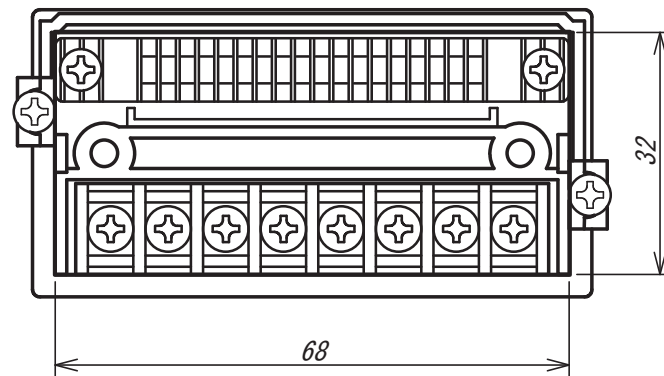
TSURUGA ELECTRIC CORPORATION All Rights Reserved.

REVISED	DATE	Apr. 13. 1999	APPROVED BY	TITLE
	SCALE		CHECKED BY	
	DESIGNED BY		DRAWN BY	Y. MORIKANE
	TSURUGA ELECTRIC CORPORATION			DRAWING No.
☒2020.07.01 前パネル削除 森金 ☒H21.6.19 上段柱高さ寸法変更 林 ☒H19.2.8 BCDコネクタ変更 森金				

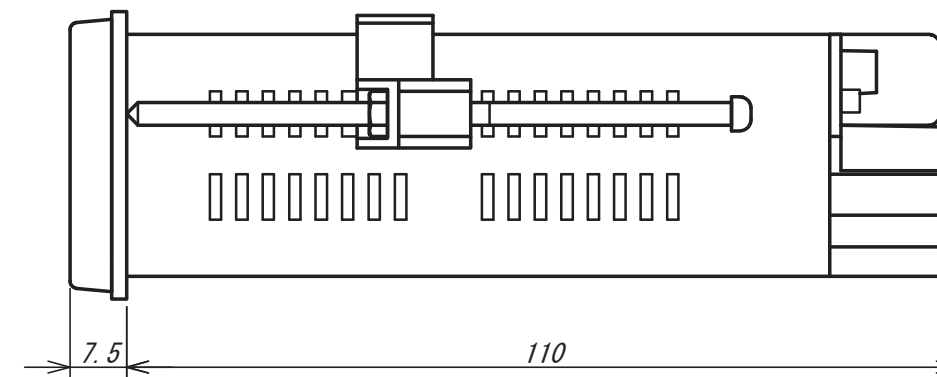
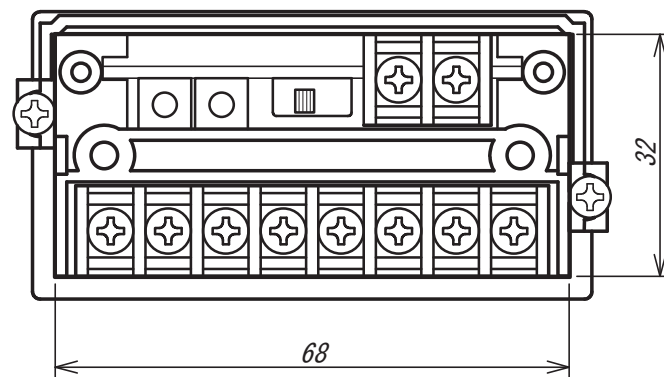
アナログ出力付
コンパレータ出力付



☒BCD出力付



RS-485出力付



TSURUGA ELECTRIC CORPORATION All Rights Reserved.

REVISED	DATE	Apr. 13. 1999	APPROVED BY	TITLE	
	SCALE		CHECKED BY		415M 72×36 防水温度計 外形図
	DESIGNED BY		DRAWN BY	Y. MORIKANE	DRAWING No.
	TSURUGA ELECTRIC CORPORATION				FC-01030-3 2/2