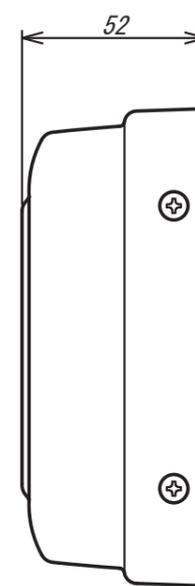
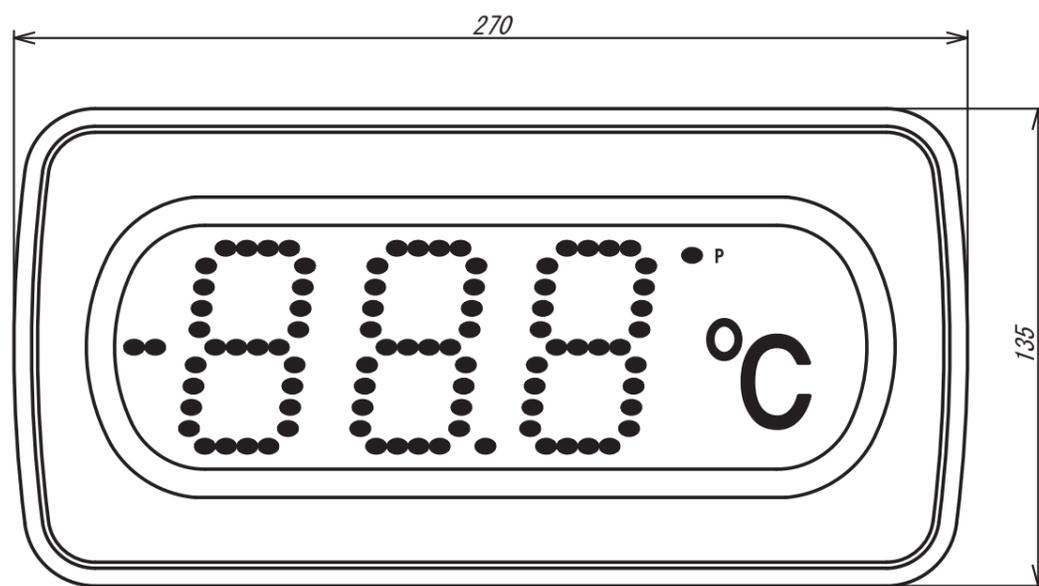
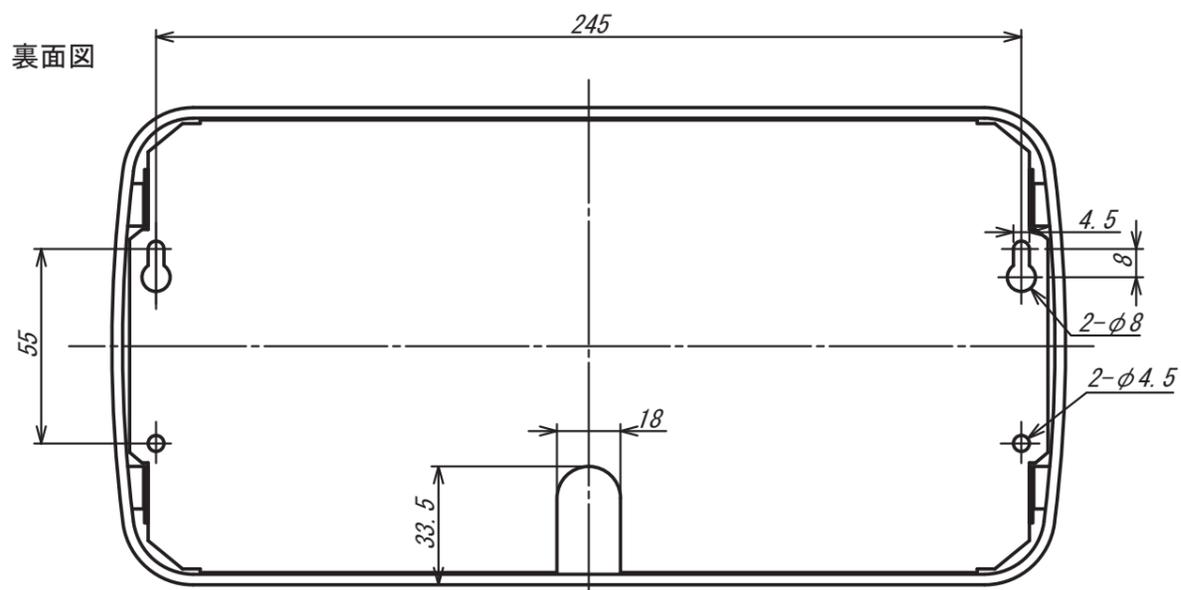


(壁掛け取付)

正面図



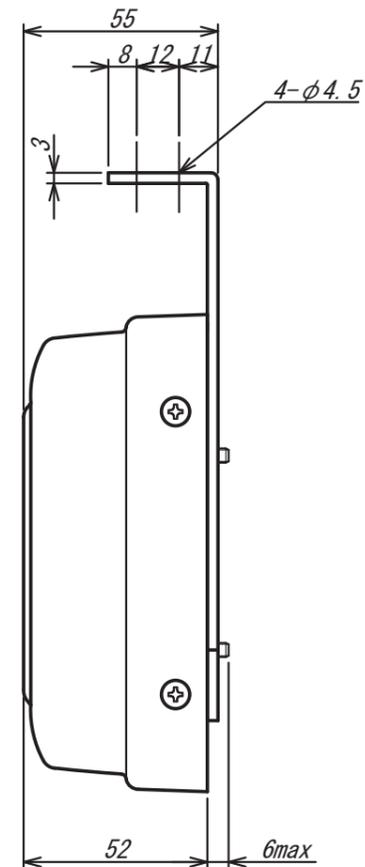
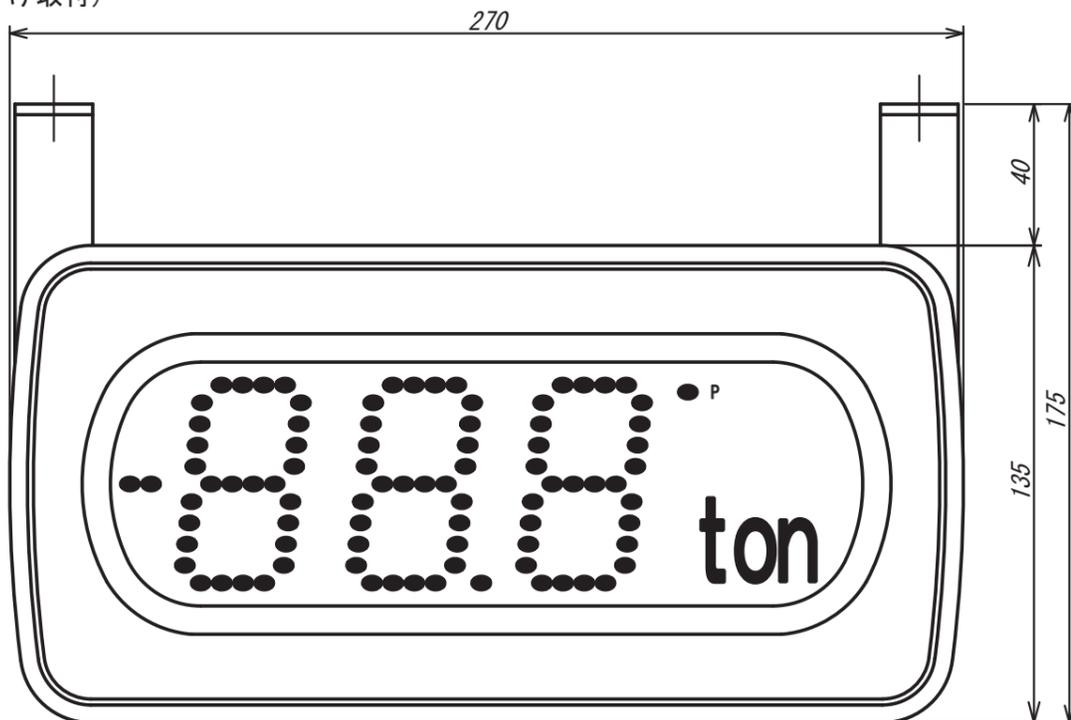
裏面図



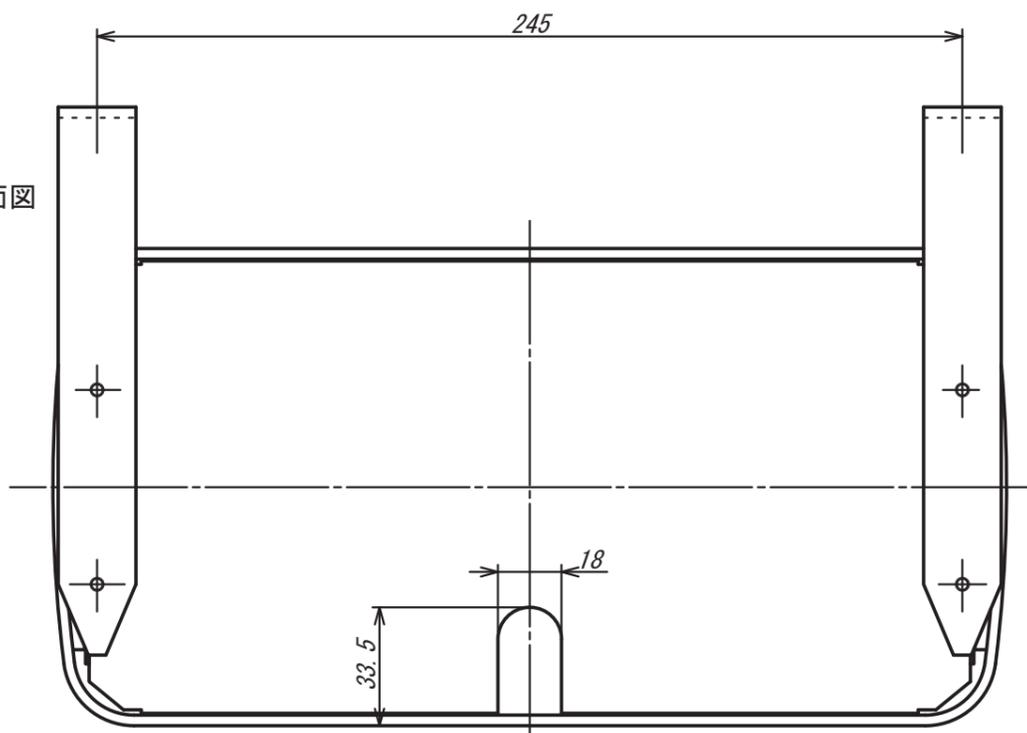
REVISED	DATE	Sep. 9, 2014	APPROVED BY	TITLE	4023-51
	SCALE		CHECKED BY	4024-51	外形図
	DESIGNED BY	H. Matsunami	DRAWN BY	H. Matsunami	DRAWING No.
	TSURUGA ELECTRIC CORPORATION				FC-01652

(吊り下げ取付)

正面図



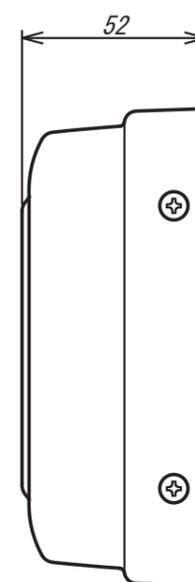
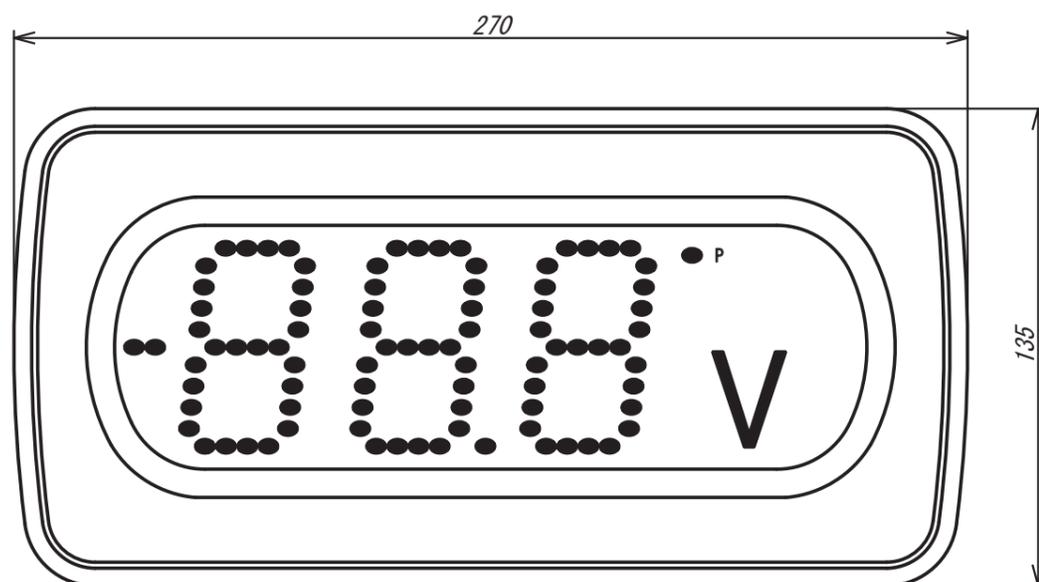
裏面図



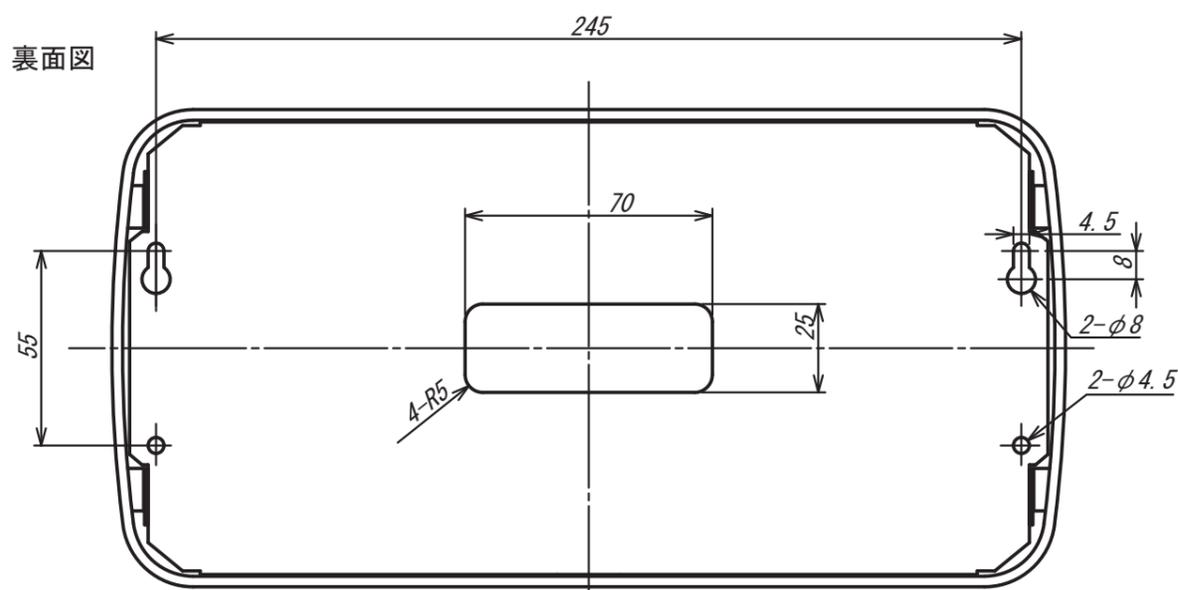
REVISED	DATE	Sep. 9, 2014	APPROVED BY	TITLE	4023-52
	SCALE		CHECKED BY	4024-52	外形図
	DESIGNED BY	H. Matsunami	DRAWN BY	H. Matsunami	DRAWING No.
	TSURUGA ELECTRIC CORPORATION			FC-01652	2/6

(壁面張り付け取付)

正面図



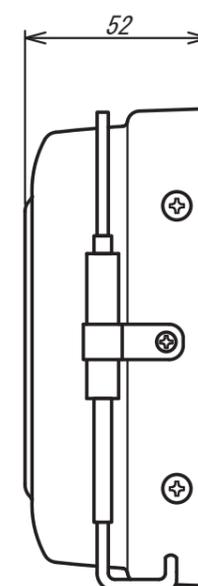
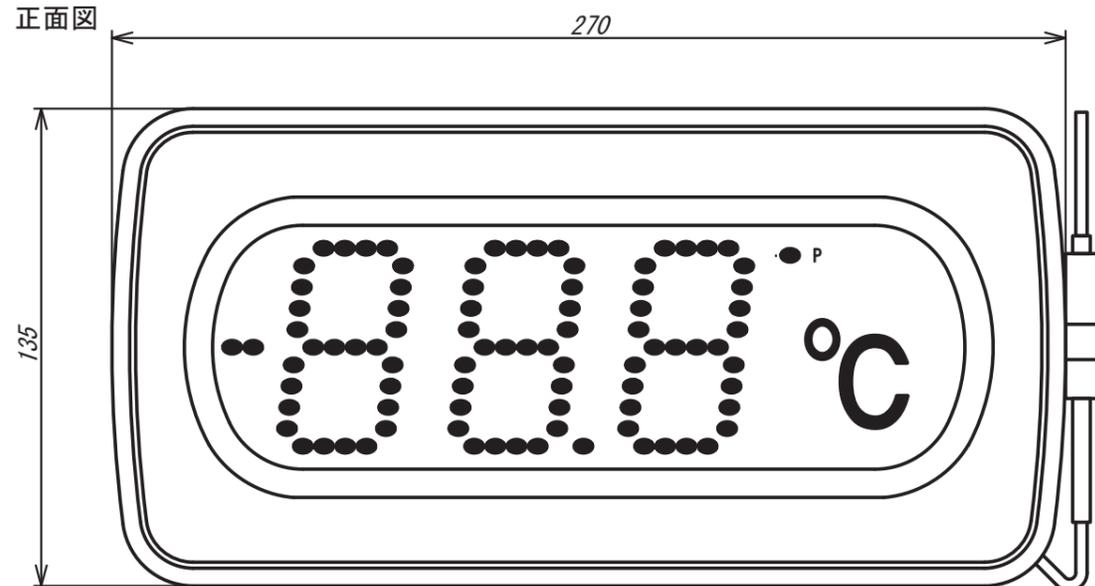
裏面図



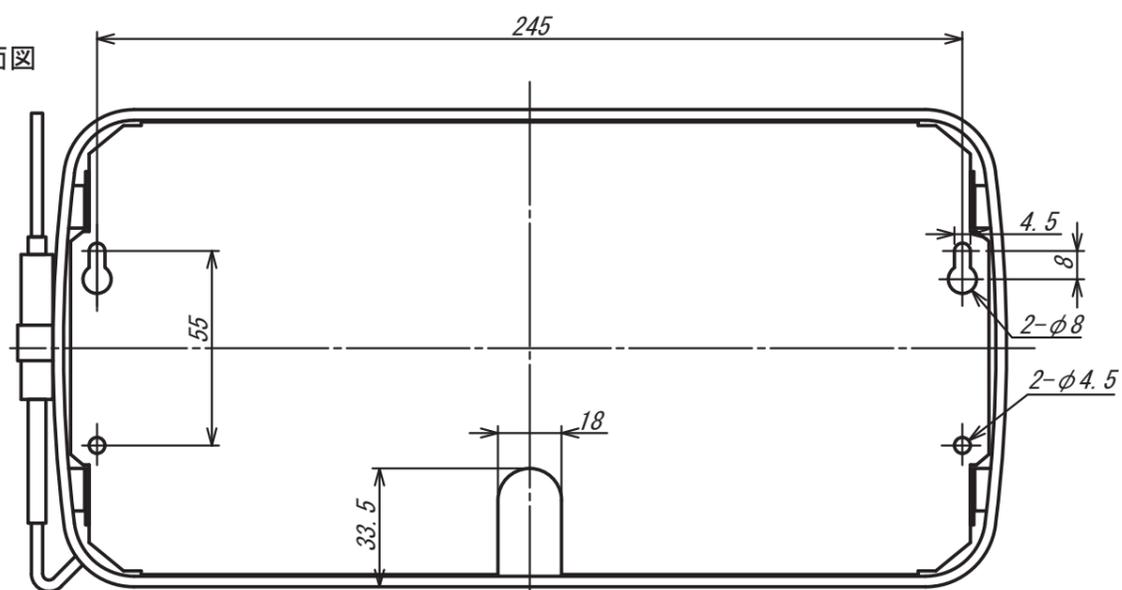
REVISED	DATE	Sep. 9, 2014	APPROVED BY	TITLE	4023-53
	SCALE		CHECKED BY	4024-53	外形図
	DESIGNED BY	H. Matsunami	DRAWN BY	H. Matsunami	DRAWING No.
	TSURUGA ELECTRIC CORPORATION			FC-01652	3/6

(壁掛け取付 Ptセンサー体形)

正面図

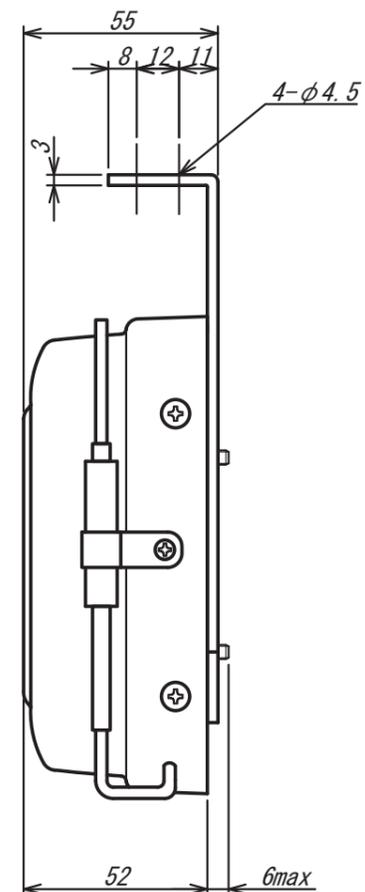
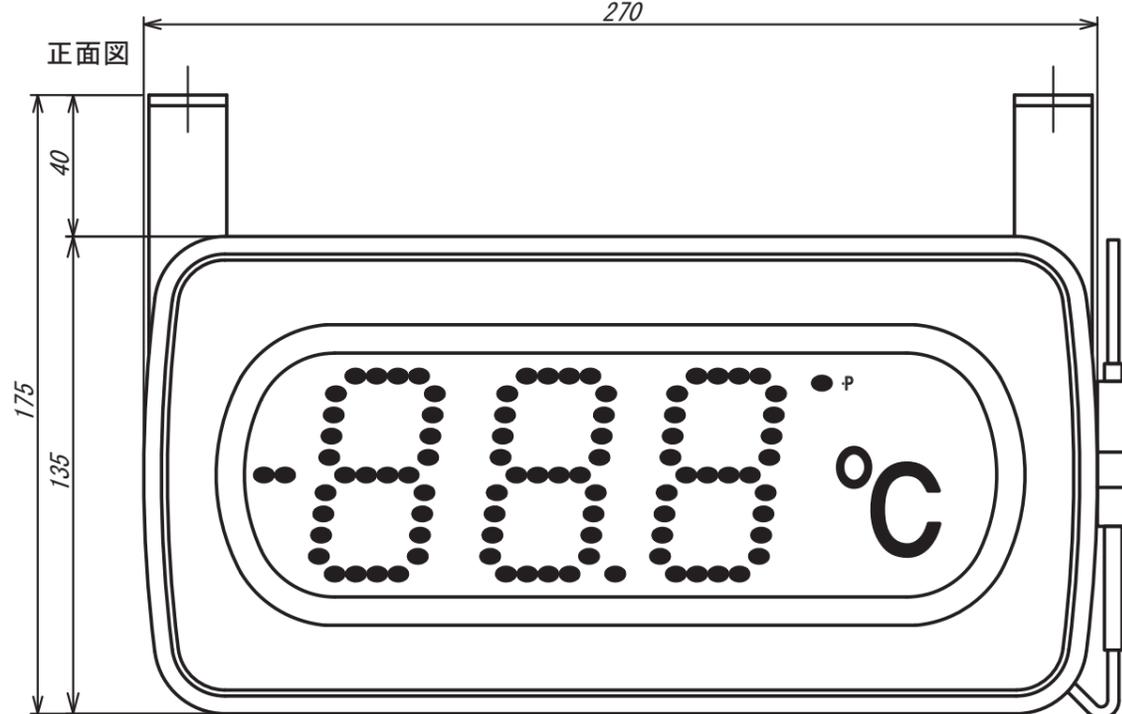


裏面図

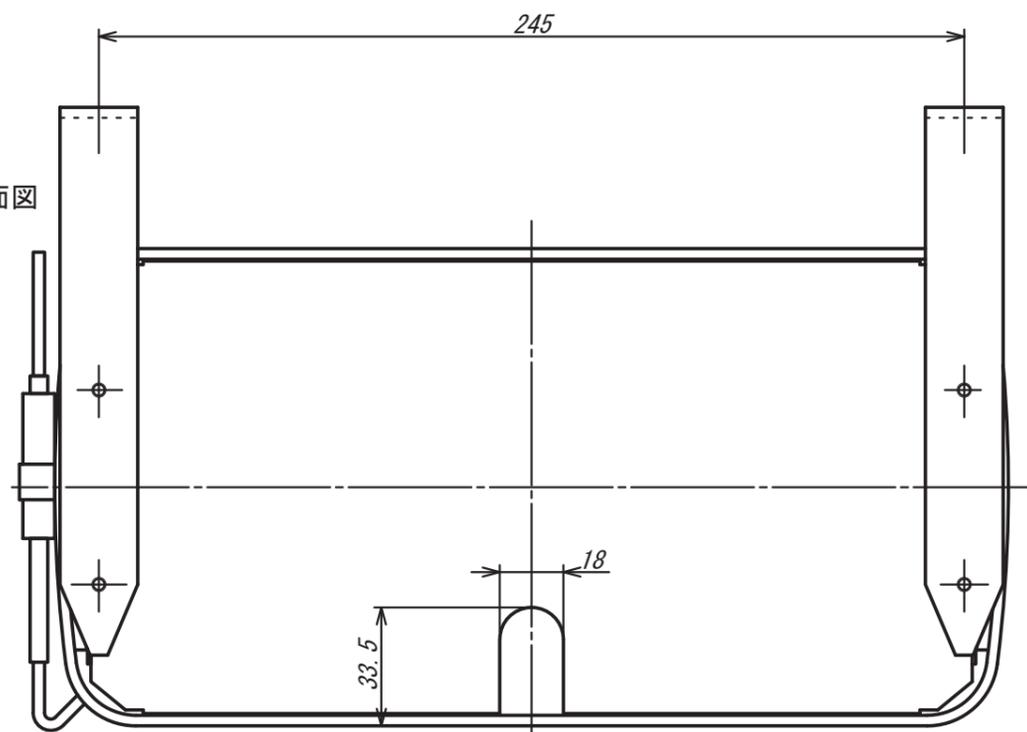


REVISED	DATE	Sep. 9, 2014	APPROVED BY	TITLE
	SCALE		CHECKED BY	4023-11-61
	DESIGNED BY	H. Matsunami	DRAWN BY	4023-12-62
				外形図
				DRAWING No.
				FC-01652
				4/6

(吊り下げ取付 Ptセンサー体形)



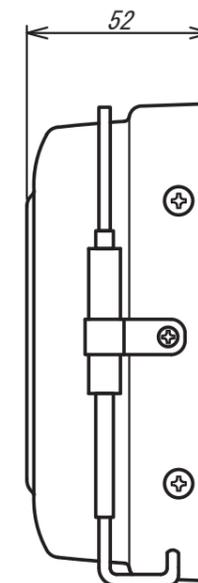
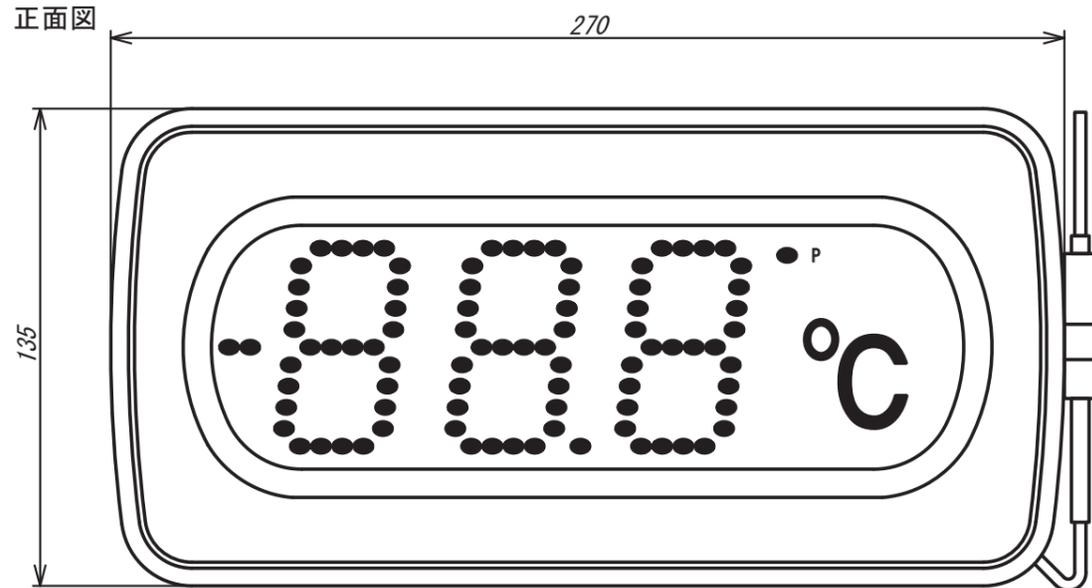
裏面図



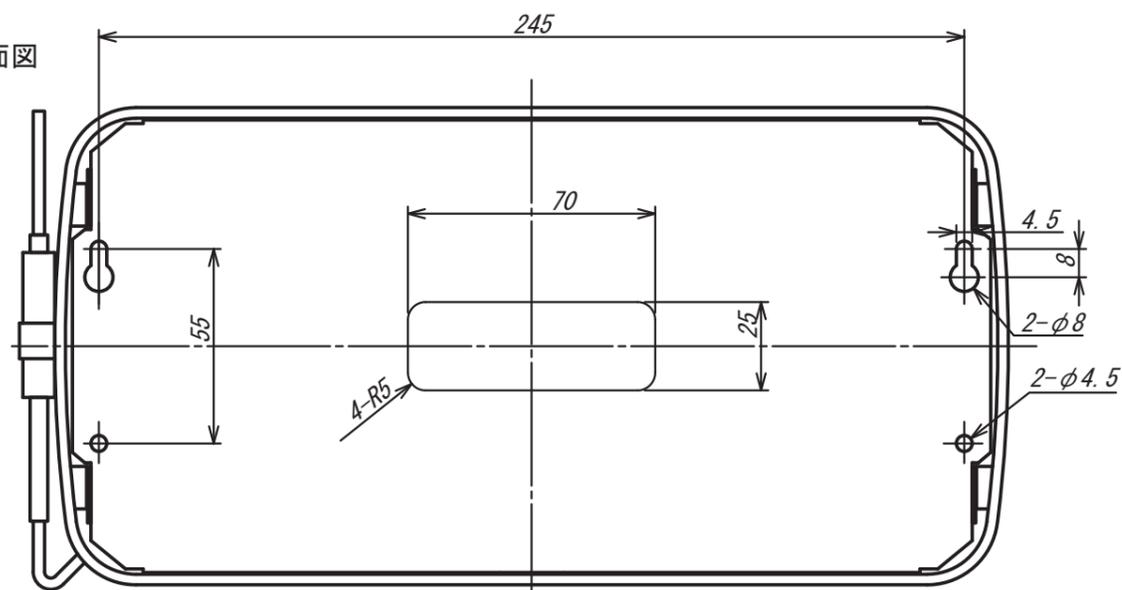
REVISED	DATE	Sep. 9, 2014	APPROVED BY	TITLE	4023-11-62
	SCALE		CHECKED BY	4023-12-62	外形図
	DESIGNED BY	H. Matsunami	DRAWN BY	H. Matsunami	DRAWING No.
	TSURUGA ELECTRIC CORPORATION				FC-01652

(壁面張り付け取付 Ptセンサー体形)

正面図



裏面図



REVISED	DATE	Sep. 9, 2014	APPROVED BY	TITLE	4023-11-63
	SCALE		CHECKED BY	4023-12-63	外形図
	DESIGNED BY	H. Matsunami	DRAWN BY	H. Matsunami	DRAWING No.
	TSURUGA ELECTRIC CORPORATION				FC-01652