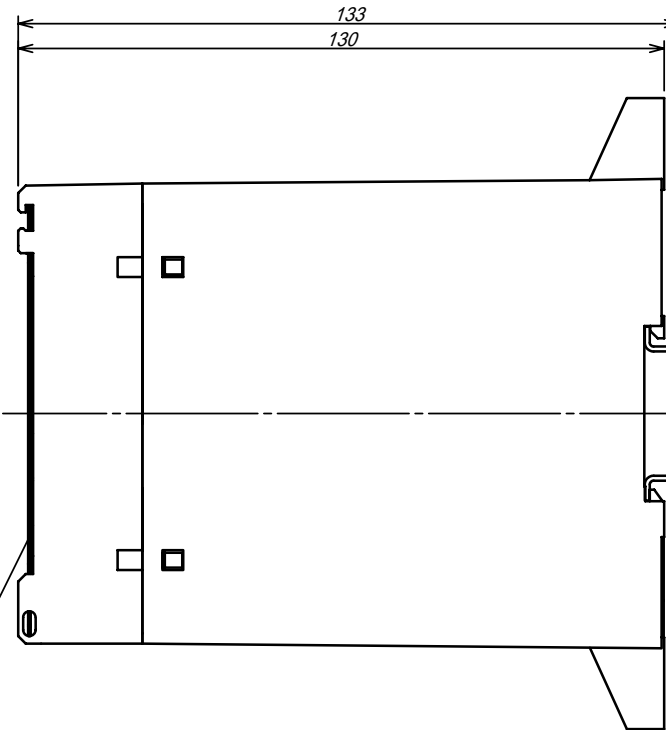
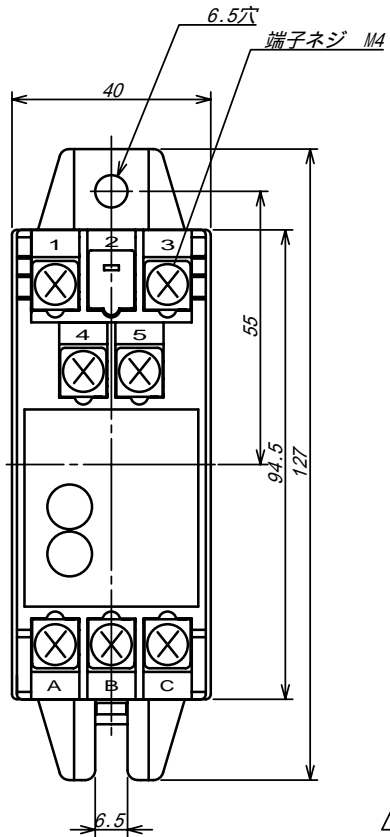
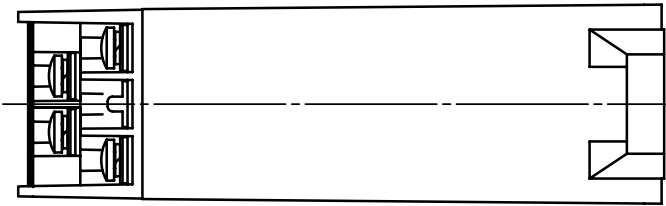
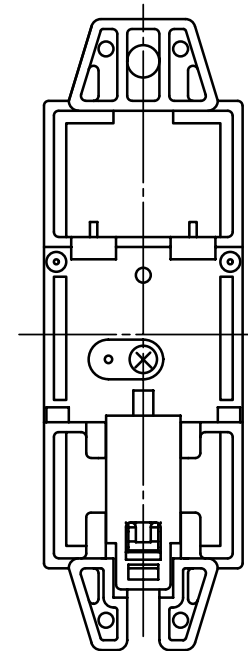


81110-01

DRAWING No.



DIN 35mmレール

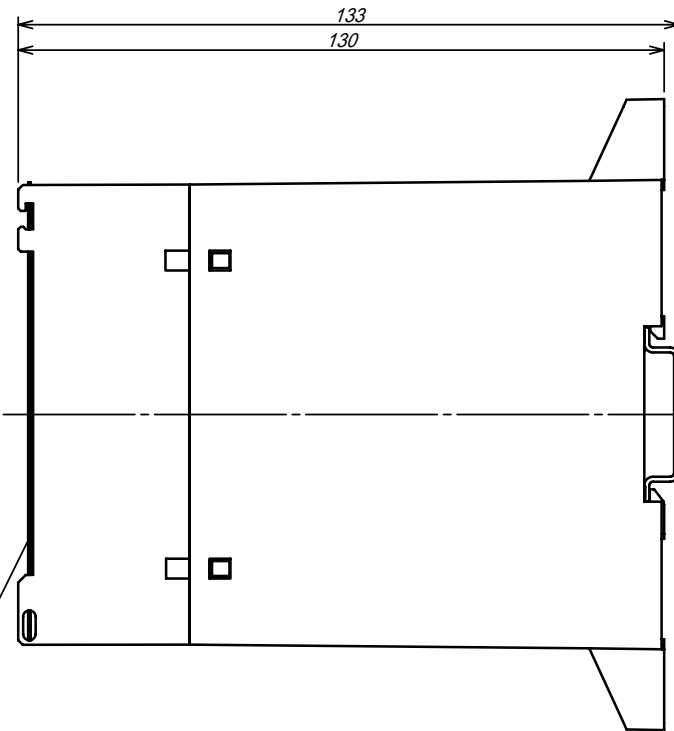
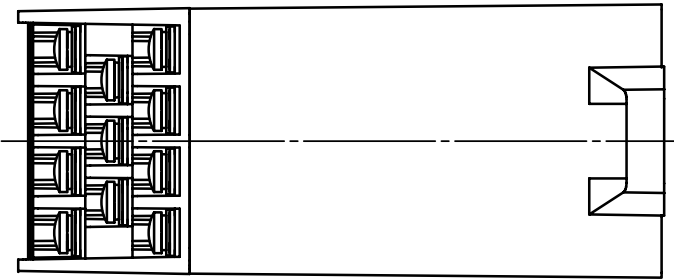
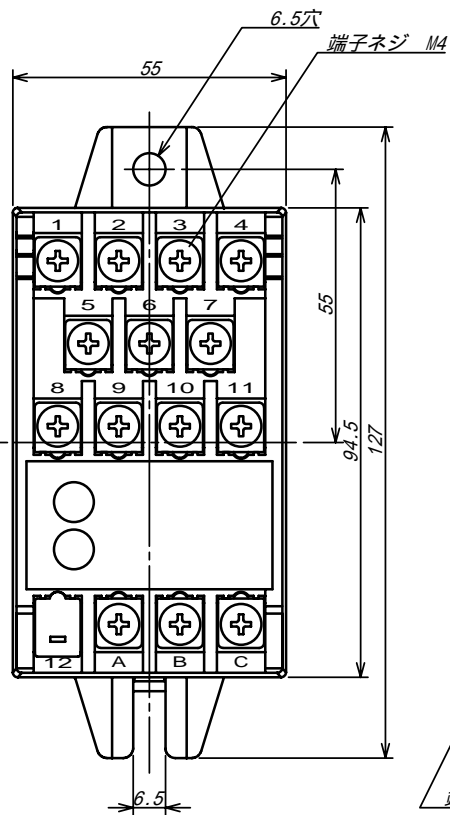


TSURUGA electric corporation. All rights reserved.

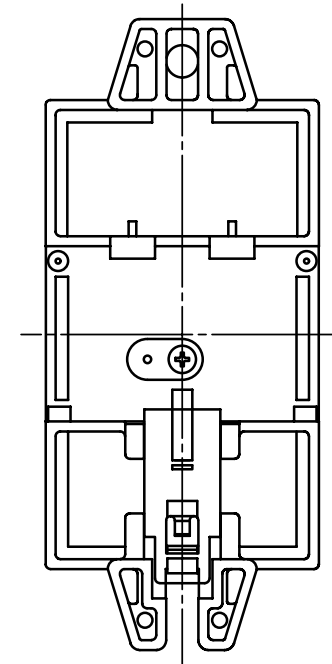
REVISED	DATE	APPROVED BY	TITLE
	SCALE	CHECKED BY	7912A 7916A
	DESIGNED BY	DRAWN BY	DRAWING No.
	TSURUGA ELECTRIC CORPORATION		FC-01118

61110-01

DRAWING No.



DIN 35mmレール



端子保護カバー

TSURUGA electric corporation. All rights reserved.

REVISED	DATE	APPROVED BY	TITLE
	SCALE	CHECKED BY	7913A 7914A 7915A
	DESIGNED BY	DRAWN BY	DRAWING No.
	TSURUGA ELECTRIC CORPORATION		FC-01119