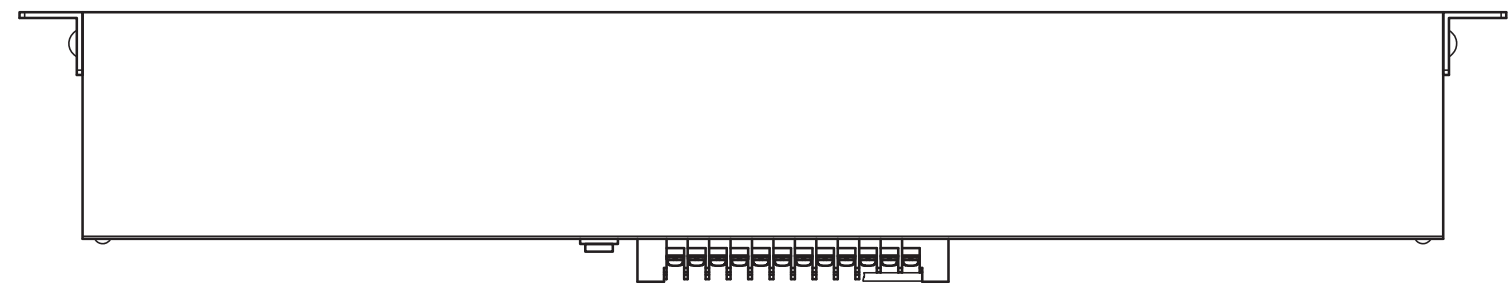
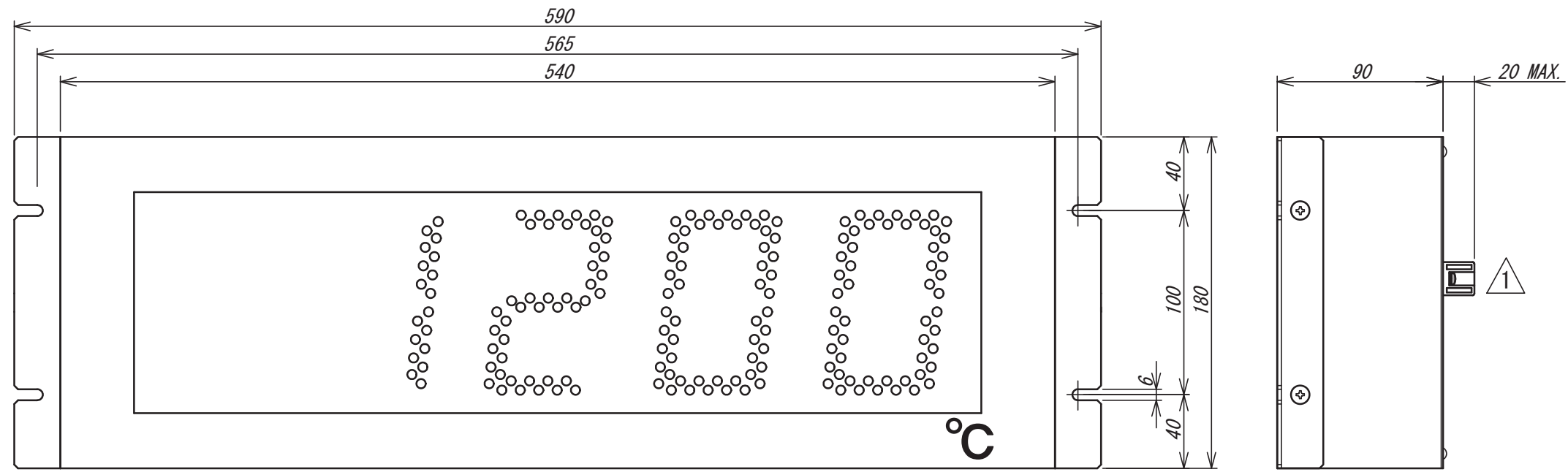


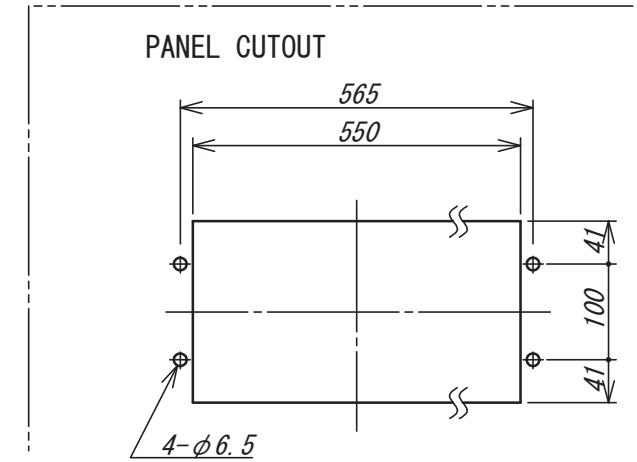
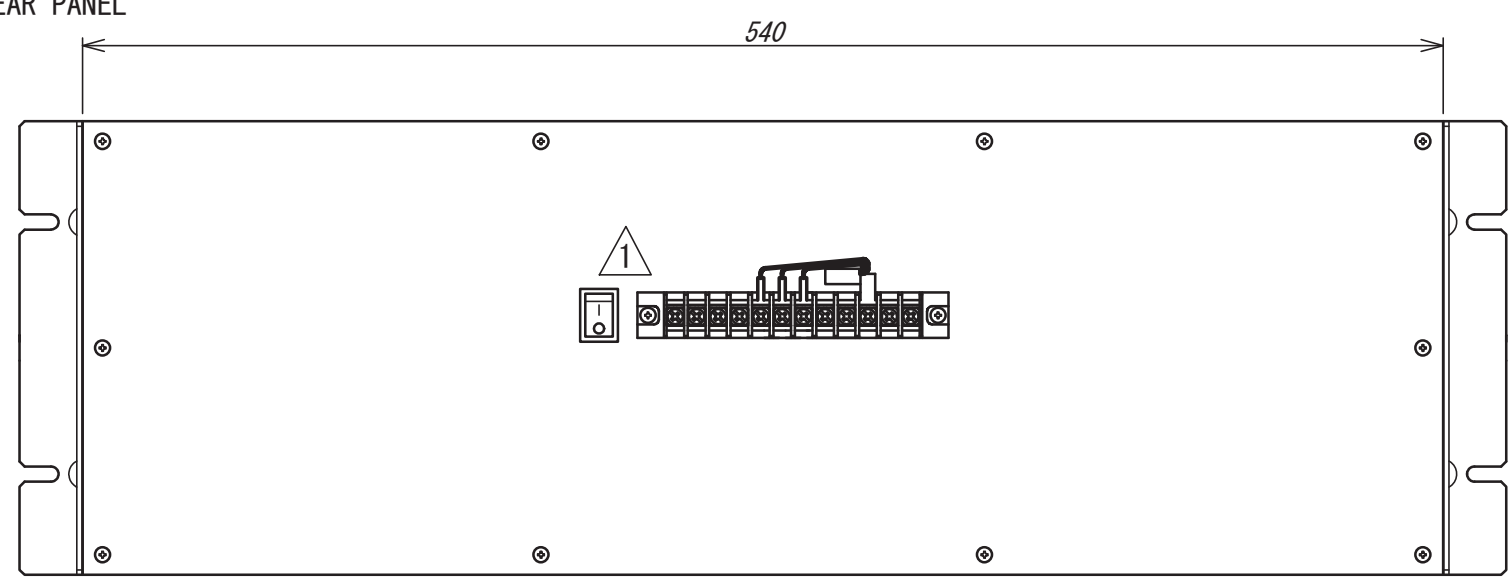
TSURUGA ELECTRIC CORPORATION All Rights Reserved.

REVISED	DATE	2021/12/02	APPROVED BY	TITLE
	CHECKED BY			3028-□-A-51 Wall mount type
	SCALE		DRAWN BY	DRAWING No.
	TSURUGA ELECTRIC CORPORATION			FC-01778-1 1/1

2022/12/23 MORIKANE Y.



REAR PANEL



TSURUGA ELECTRIC CORPORATION All rights reserved.

REVISED	DATE	2021/12/02	APPROVED BY	TITLE
	CHECKED BY			3028-□-A-59 Panel mount type
	SCALE		DRAWN BY	DRAWING No.
	TSURUGA ELECTRIC CORPORATION			FC-01779-1 1/1

△2022.3.14 端子台等の配置修正 H.Mitsumoto