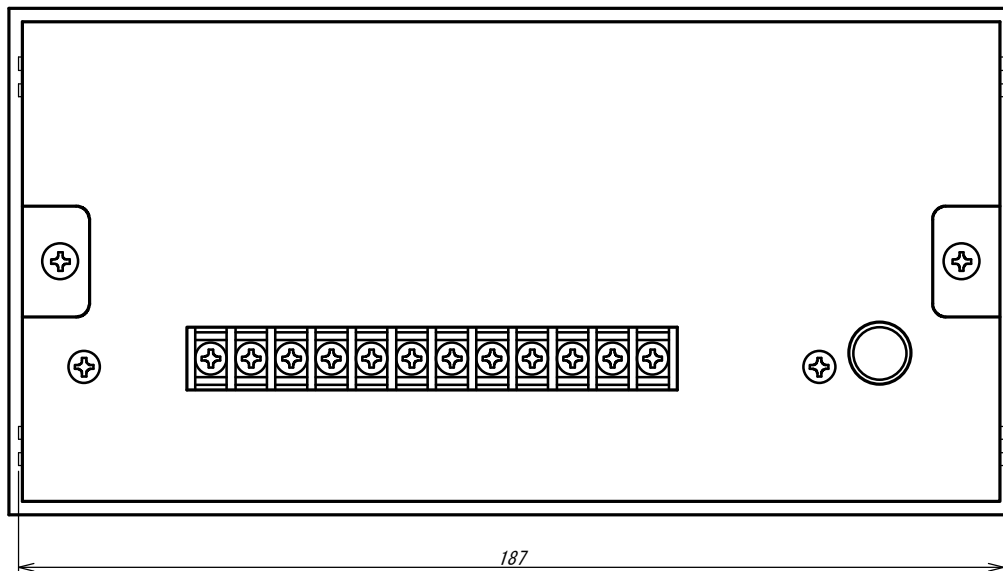
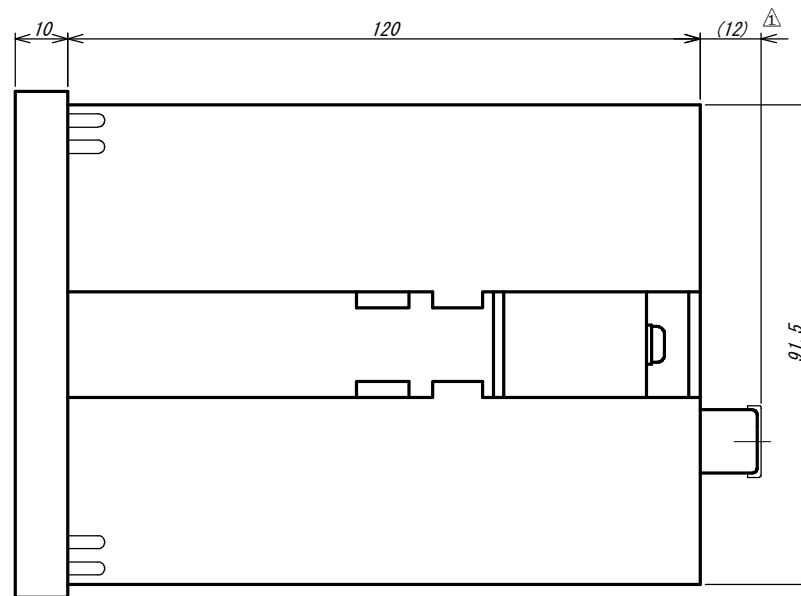
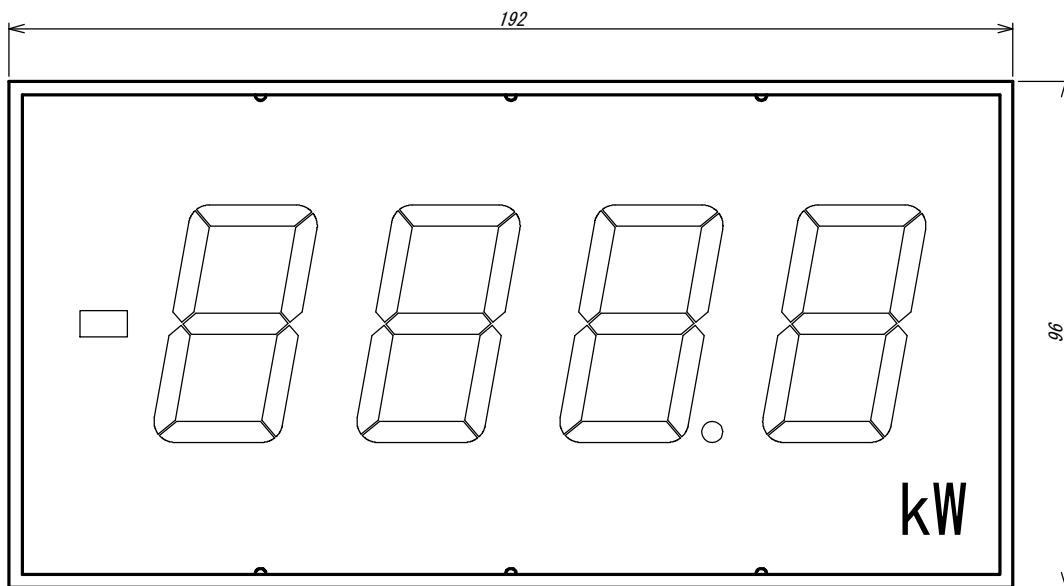


FC-01504-1

DRAWING No.



Panel cut-out dimension : $188^{+0.8}_0$ × $92^{+0.8}_0$

Terminal screws : M3

TSURUGA ELECTRIC CORPORATION. All rights reserved.

REVISED	DATE	Oct. 25, 2010	APPROVED BY	TITLE	
	SCALE		CHECKED BY		3 1 5 3 B
	DESIGNED BY	S. Mayumi	DRAWN BY	S. Mayumi	DRAWING No.
	TSURUGA ELECTRIC CORPORATION			FC-01504-1	
<small>Jan. 6, 2012 H. Matsunami</small>					