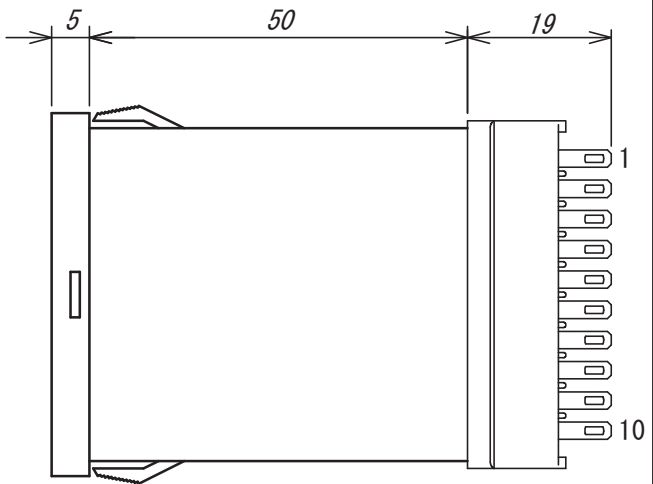


Rear



Bottom

パネルカット寸法 :  $45^{+0.5}_0 \times 22.2^{+0.3}_0$

TSURUGA ELECTRIC CORPORATION All rights reserved.

REVISED	DATE	<i>Oct. 22, 2018</i>	APPROVED BY	TITLE	3194
	SCALE		CHECKED BY		
	DESIGNED BY	<i>S. Hayashi</i>	DRAWN BY	<i>S. Hayashi</i>	DRAWING No.
TSURUGA ELECTRIC CORPORATION					