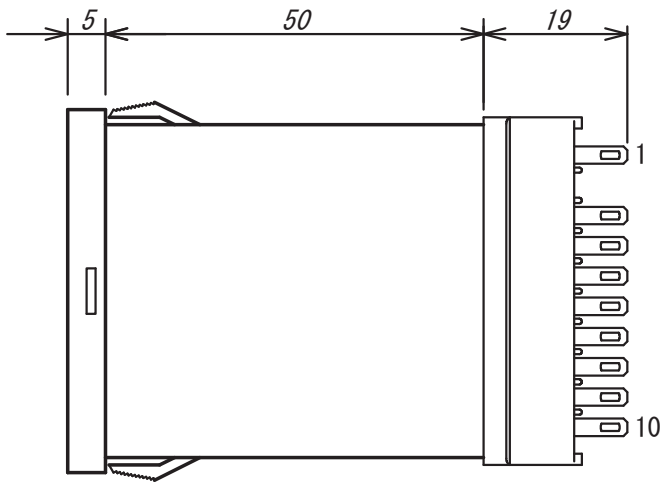
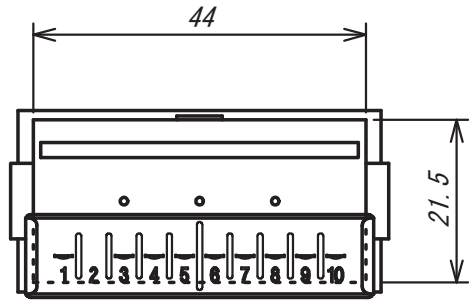
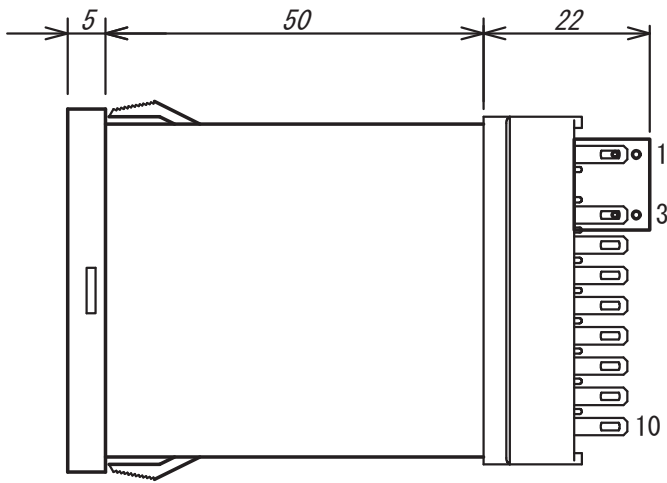
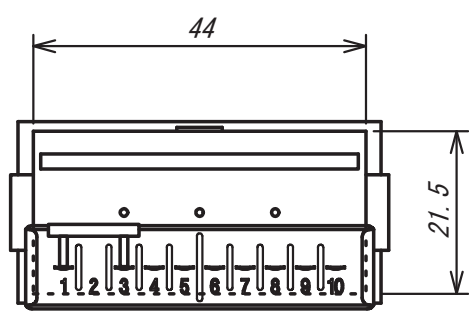


3195-23~26, 3195-35



3195-36, 3195-37



パネルカット寸法 $45^{+0.5}_0 \times 22.2^{+0.3}_0$

TSURUGA ELECTRIC CORPORATION All Rights Reserved.

REVISED	DATE	Oct. 22, 2018	APPROVED BY	TITLE	3195	
	SCALE		CHECKED BY			
	DESIGNED BY	S. Hayashi	DRAWN BY	K. Hori	DRAWING No.	FB-00920
	TSURUGA ELECTRIC CORPORATION					1/1