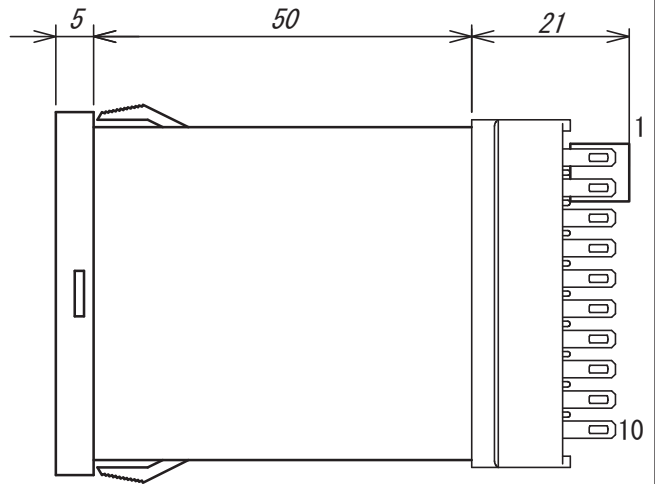


Rear

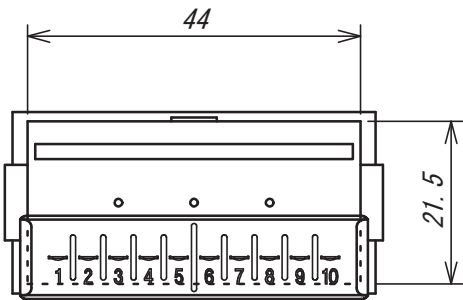
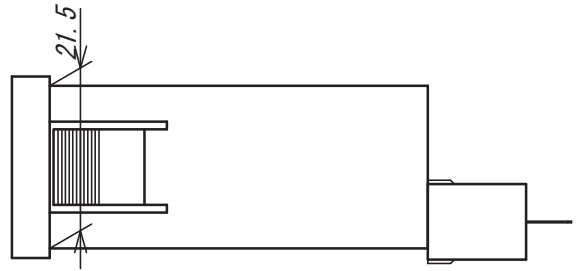
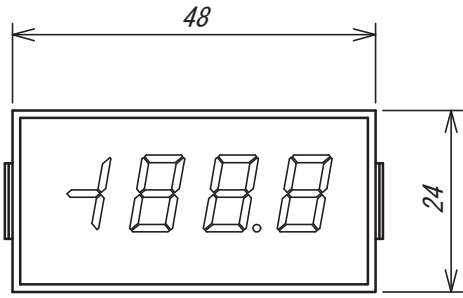


Bottom

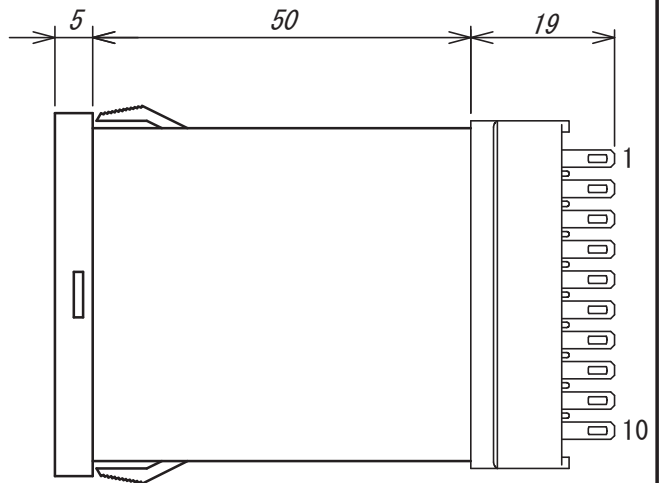
パネルカット寸法 $45^{+0.5}_0 \times 22.2^{+0.3}_0$

TSURUGA ELECTRIC CORPORATION All rights reserved.

REVISED	DATE	2021/06/22	APPROVED BY	TITLE	3196-0□	
	SCALE		CHECKED BY			
	DESIGNED BY	S. Hayashi	DRAWN BY	S. Hayashi	DRAWING No.	FB-00921-1 1/1
	TSURUGA ELECTRIC CORPORATION					



Rear



Bottom

パネルカット寸法 : $45^{+0.5} \times 22.2^{+0.3}$

TSURUGA ELECTRIC CORPORATION All rights reserved.

REVISED	DATE	2018/10/22	APPROVED BY	TITLE	3196-11/12	
	SCALE		CHECKED BY			
	DESIGNED BY	S. Hayashi	DRAWN BY	S. Hayashi	DRAWING No.	FB-00922
	TSURUGA ELECTRIC CORPORATION				1/1	