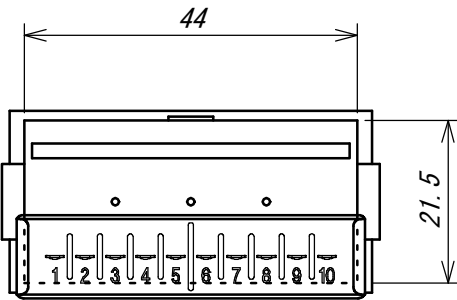
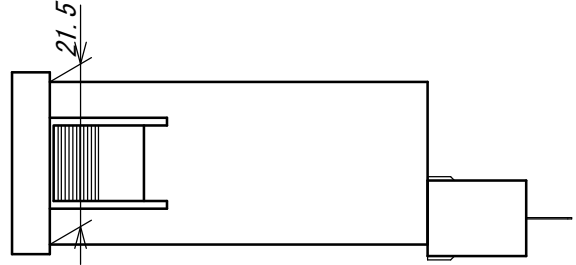
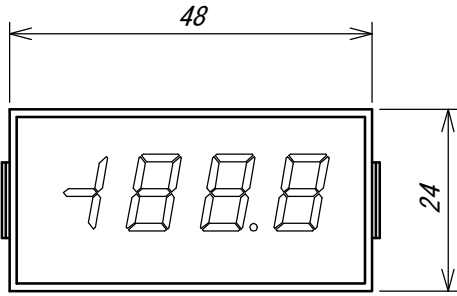
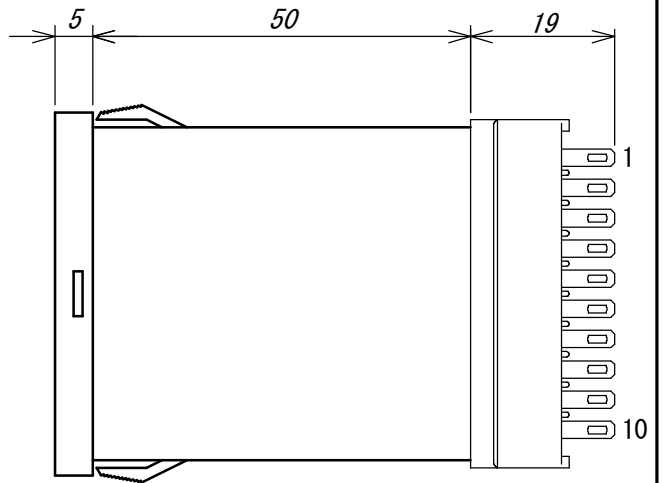


FB-00923

DRAWING No.



Rear



Bottom

パネルカット寸法 : $45^{+0.5}_0 \times 22.2^{+0.3}_0$

TSURUGA ELECTRIC CORPORATION All Rights Reserved.

REVISED

DATE *Oct. 22, 2018*

APPROVED BY

TITLE

SCALE

CHECKED BY

3198

DESIGNED BY *S. Hayashi*

DRAWN BY *S. Hayashi*

DRAWING No.

TSURUGA ELECTRIC CORPORATION

FB-00923