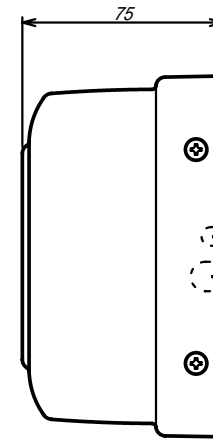
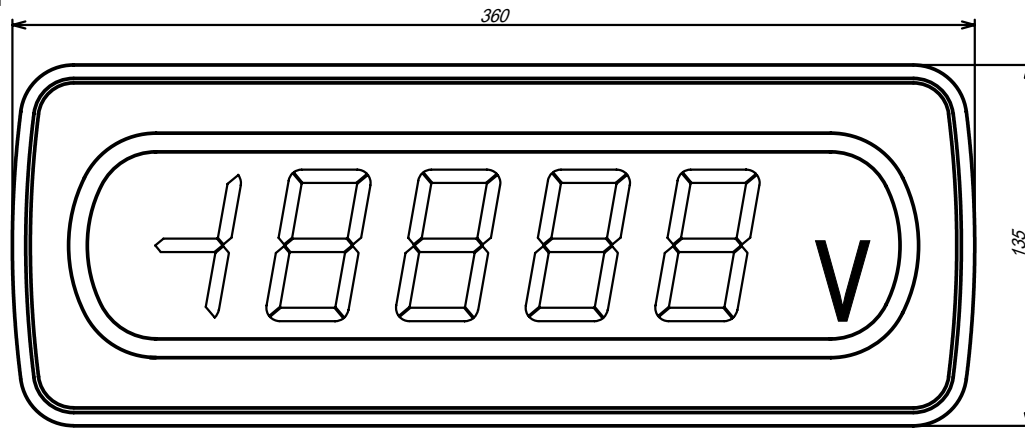
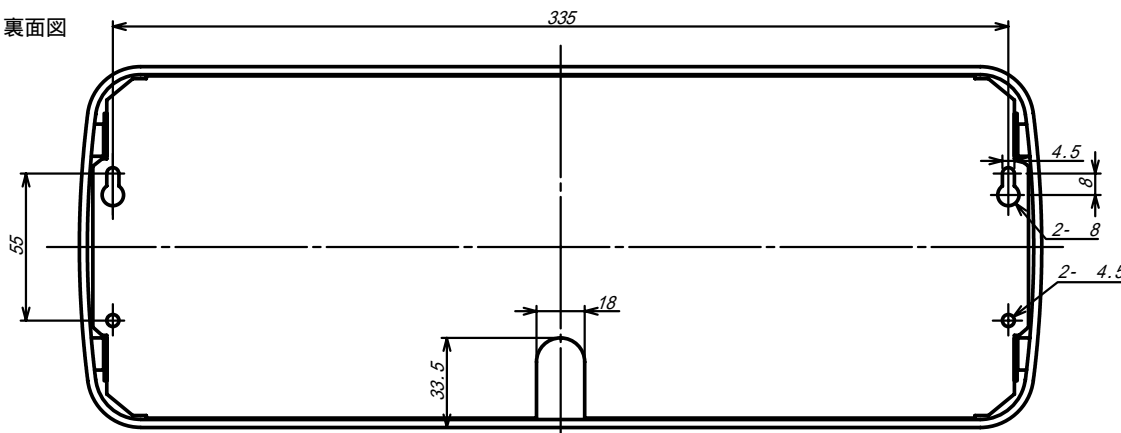


正面図



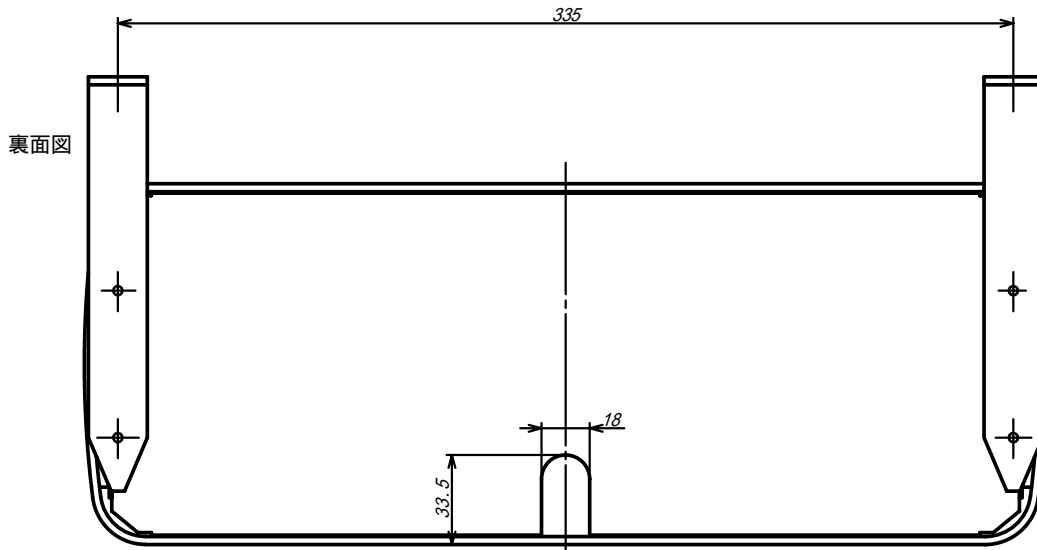
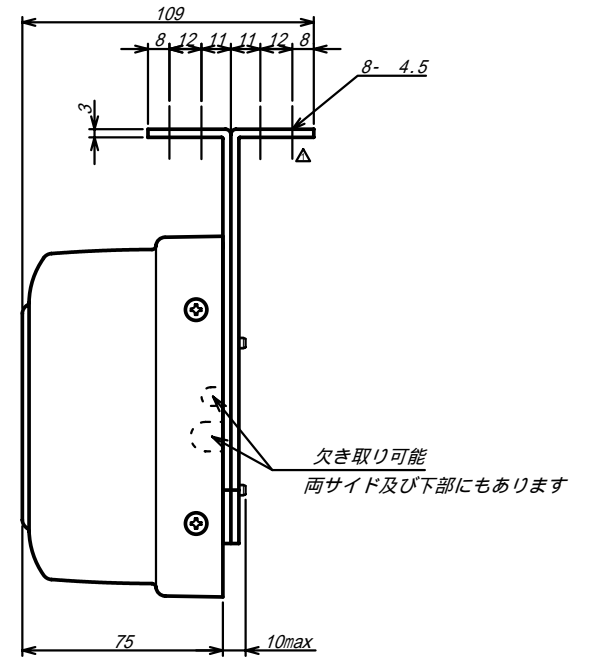
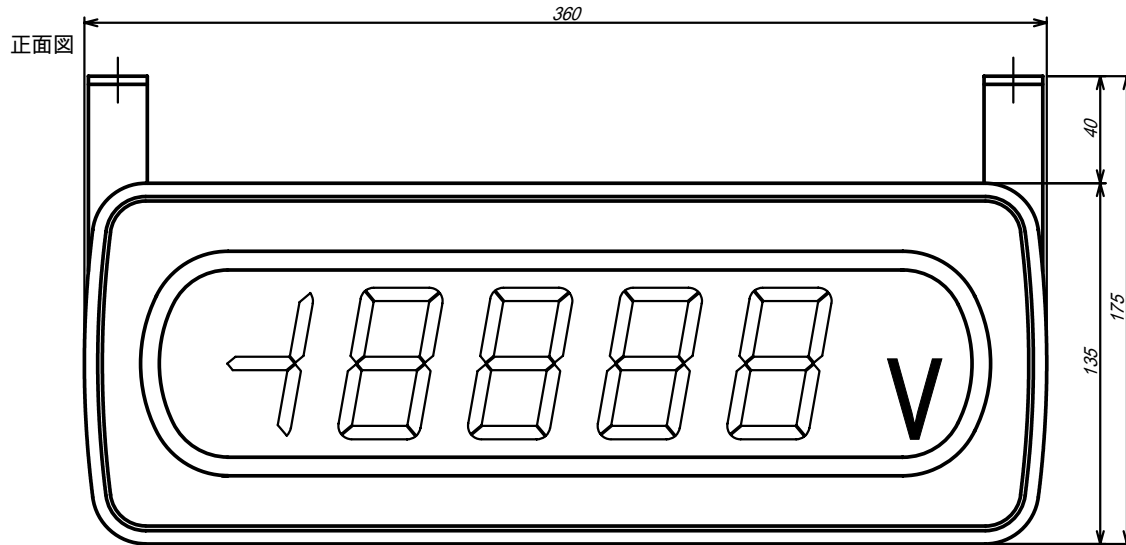
欠き取り可能  
両サイド及び下部にもあります

裏面図



単位 : mm

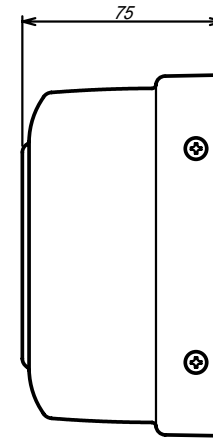
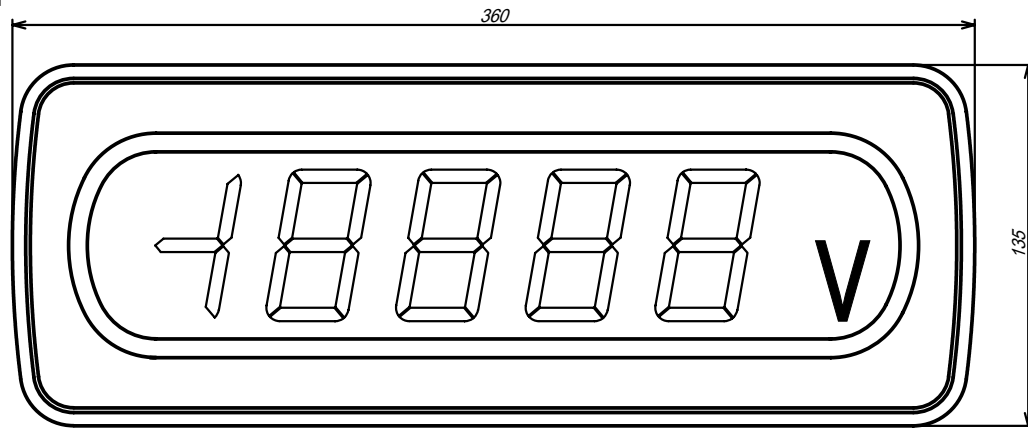
REVISED	DATE	Jul. 4, 2001	APPROVED BY	TITLE
	SCALE		CHECKED BY	4 0 1 2 - 5 1 壁掛け取付外形図
	DESIGNED BY		DRAWN BY	DRAWING No.
	TSURUGA ELECTRIC CORPORATION			FC-01127



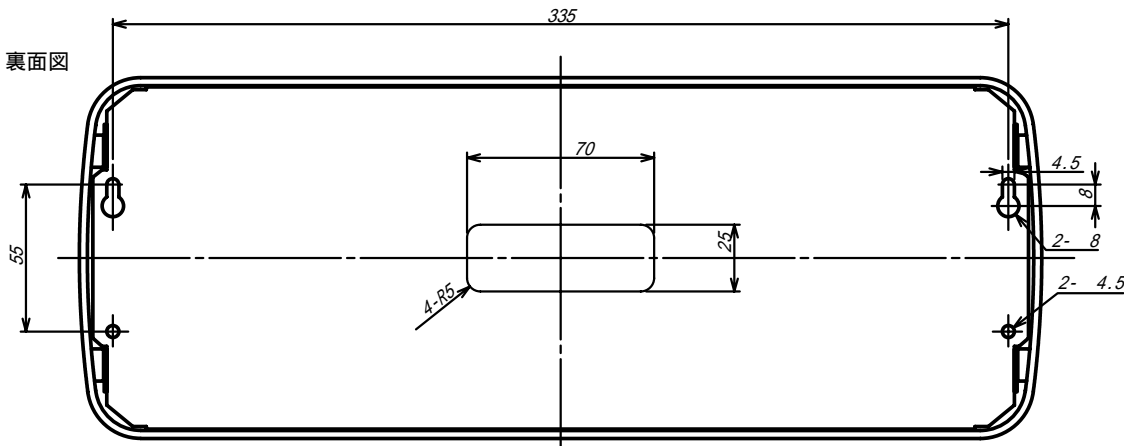
単位 :mm

REVISED	DATE	Jul. 4, 2001	APPROVED BY	TITLE
	SCALE		CHECKED BY	
	DESIGNED BY		DRAWN BY	
	TSURUGA ELECTRIC CORPORATION			
DRAWING No.			4 0 1 2 - 5 2	
FC-01128-1			吊り下げ取付外形図	
DRAWING No.			FC-01128-1	
1/1			1/1	

正面図



裏面図



単位 : mm

REVISED	DATE	Jul. 4, 2001	APPROVED BY	TITLE	4 0 1 2 - 5 3
	SCALE		CHECKED BY	壁面張り付け取付外形図	
	DESIGNED BY		DRAWN BY	DRAWING No.	FC-01129
	TSURUGA ELECTRIC CORPORATION				1/1