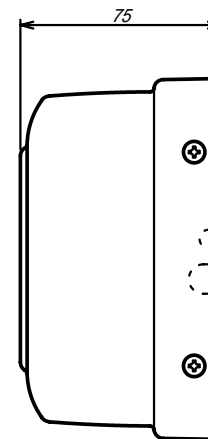
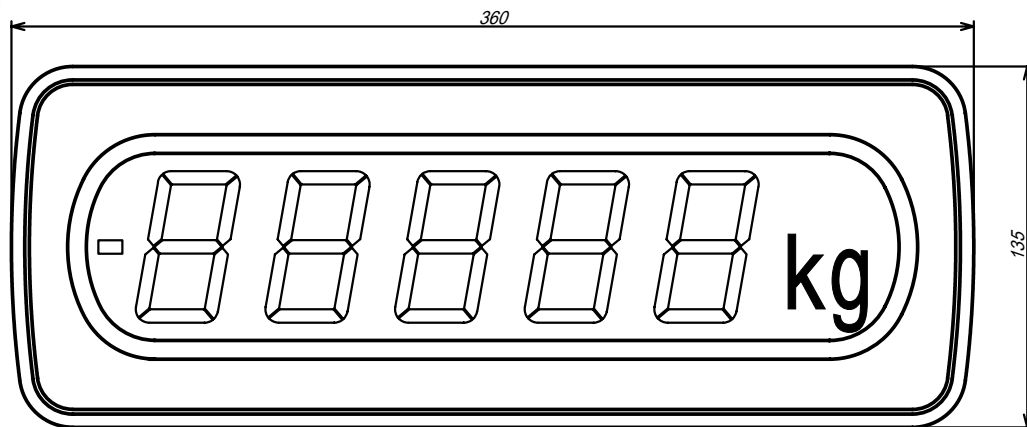
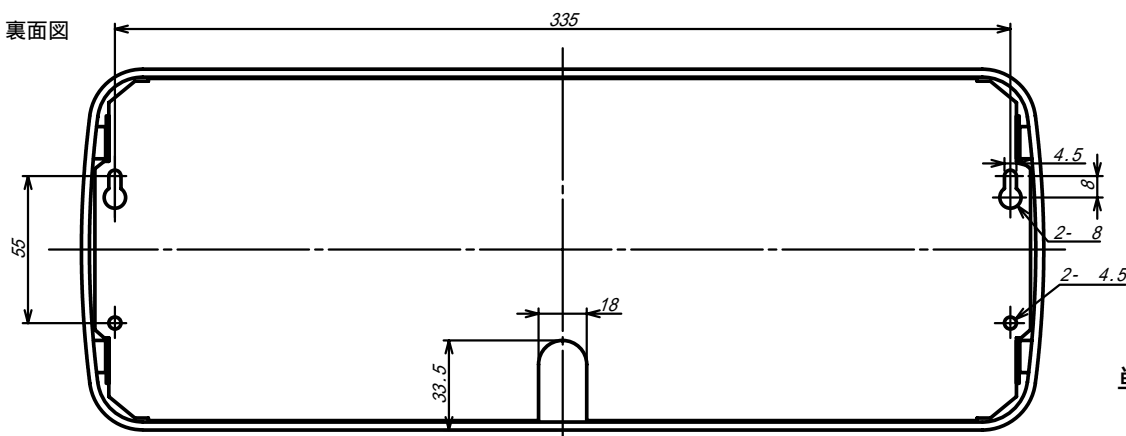


正面図



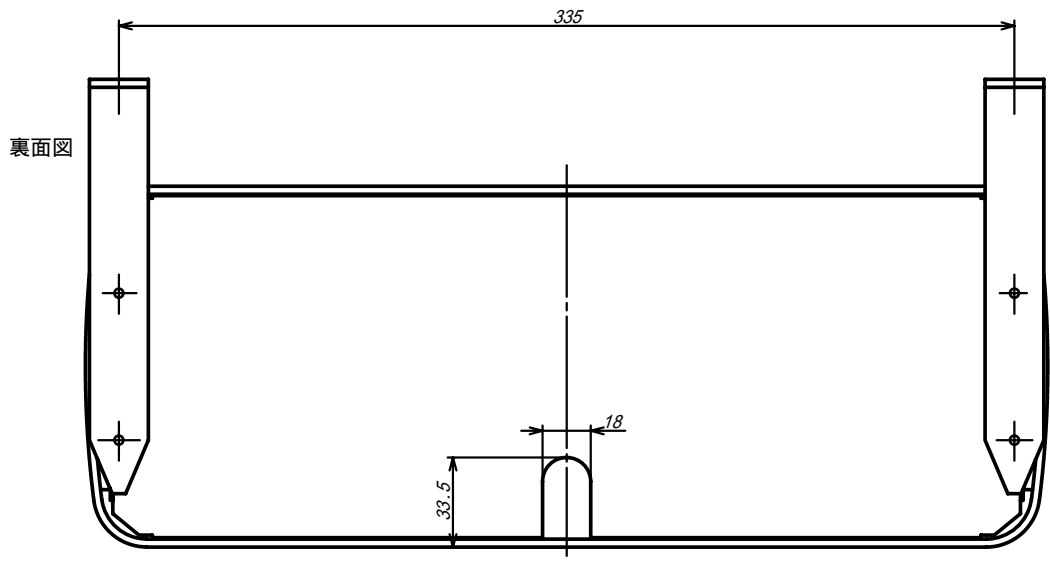
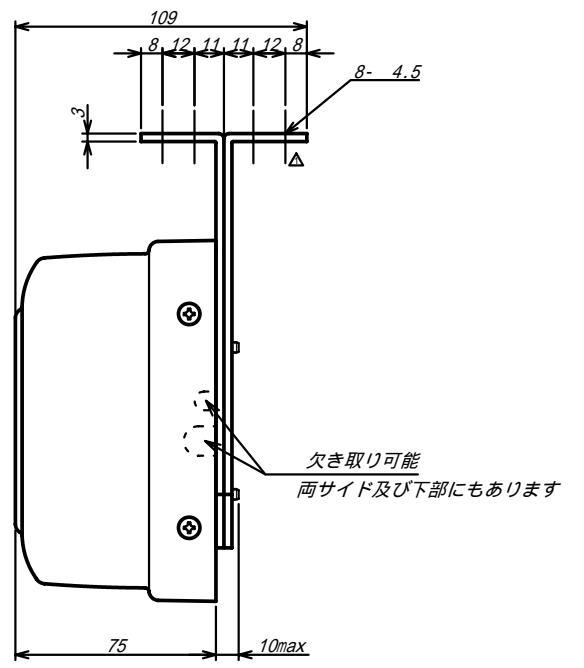
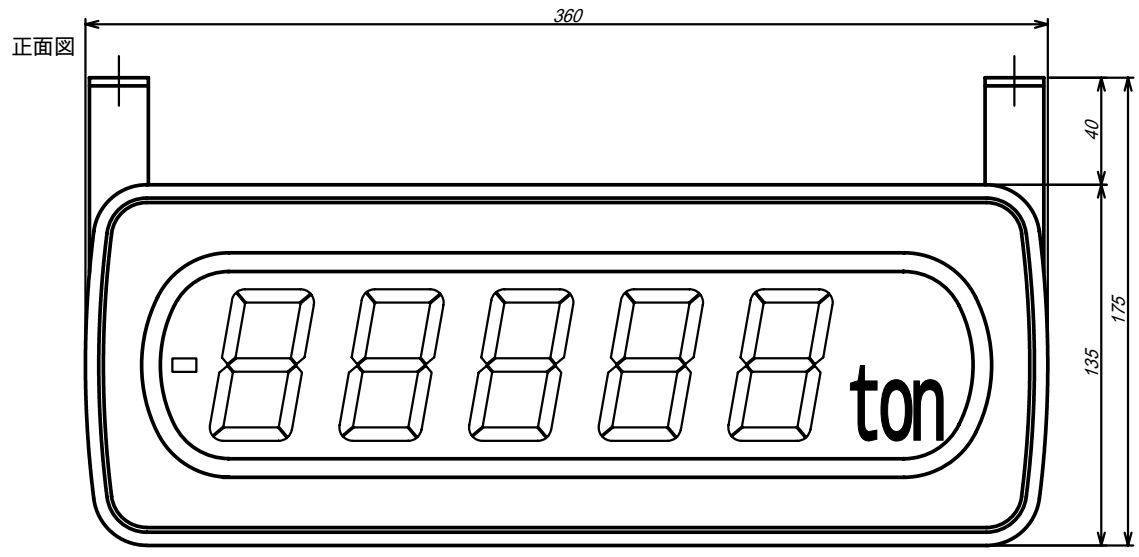
欠き取り可能
両サイド及び下部にもあります

裏面図



単位 : mm

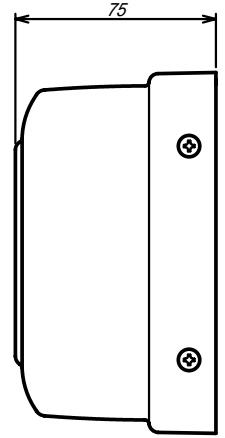
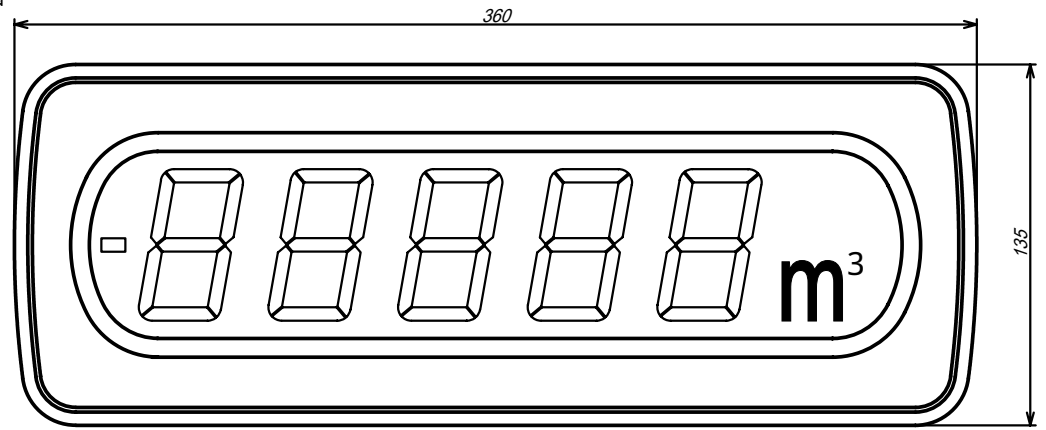
REVISED	DATE	Jul. 4, 2001	APPROVED BY	TITLE	4 0 1 3 - 5 1 壁掛け取付外形図
	SCALE		CHECKED BY	DRAWING No.	
	DESIGNED BY		DRAWN BY	FC-01130	1/1
	TSURUGA ELECTRIC CORPORATION				



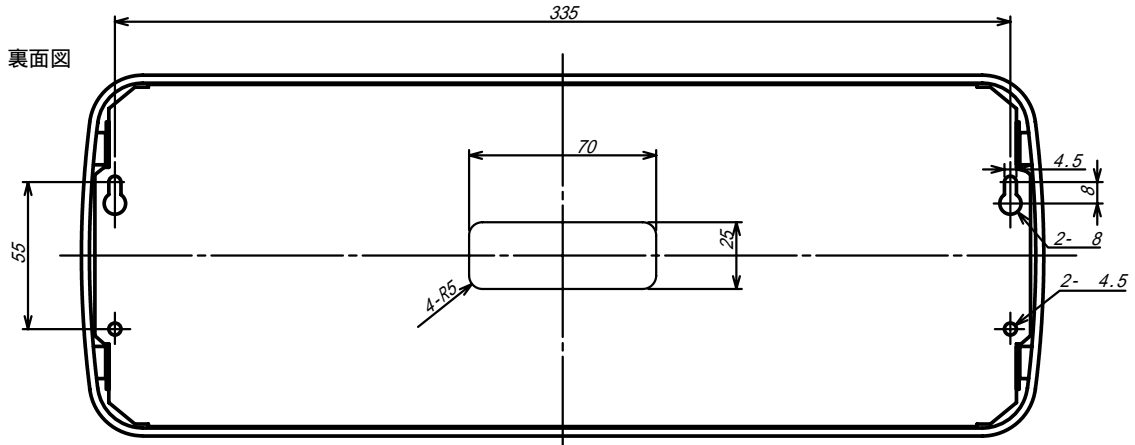
単位 : mm

REVISED	DATE	Jul. 4, 2001	APPROVED BY	TITLE
	SCALE		CHECKED BY	
	DESIGNED BY		DRAWN BY	DRAWING No.
	TSURUGA ELECTRIC CORPORATION			FC-01131-1

正面図



裏面図



単位 : mm

REVISED	DATE	Jul. 4, 2001	APPROVED BY	TITLE	4013-53
	SCALE		CHECKED BY	壁面張り付け取付外形図	
	DESIGNED BY		DRAWN BY	DRAWING No.	FC-01132
	TSURUGA ELECTRIC CORPORATION				1/1