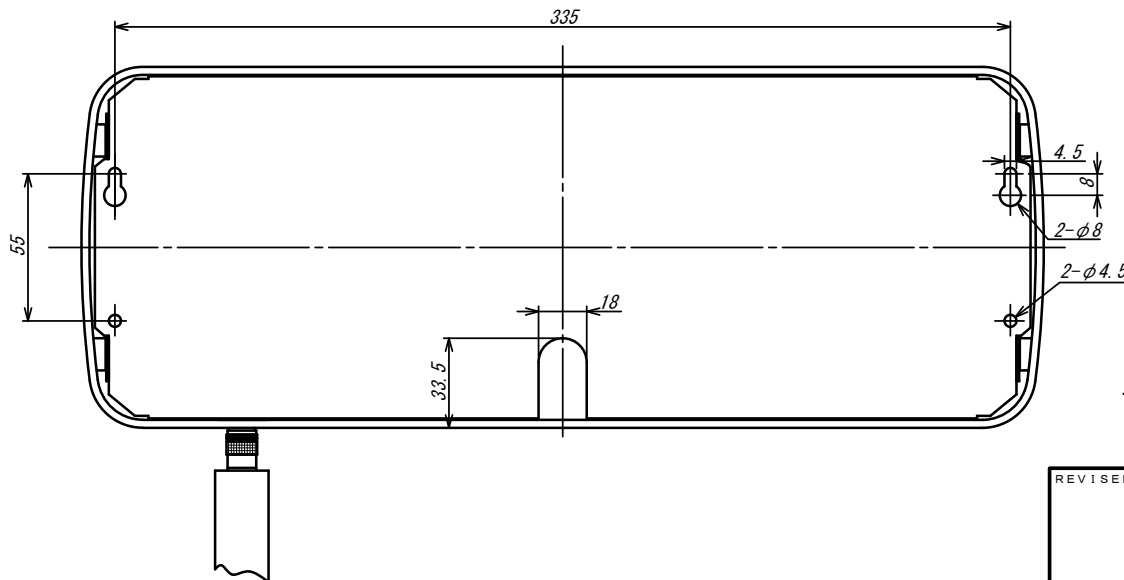


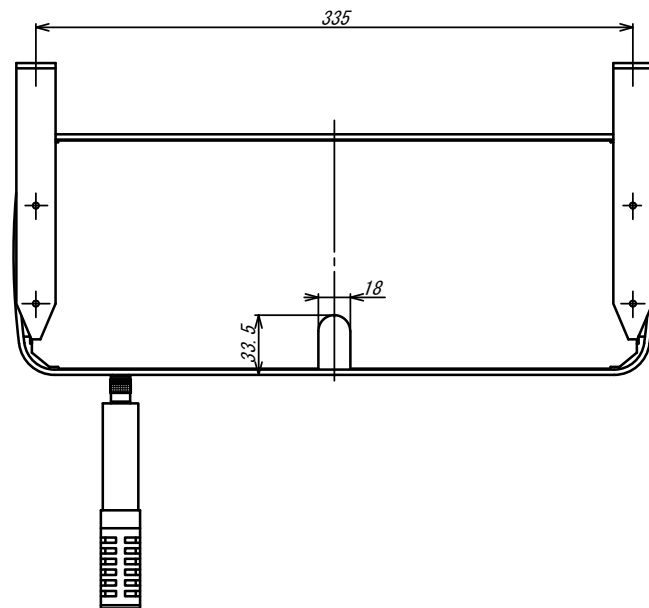
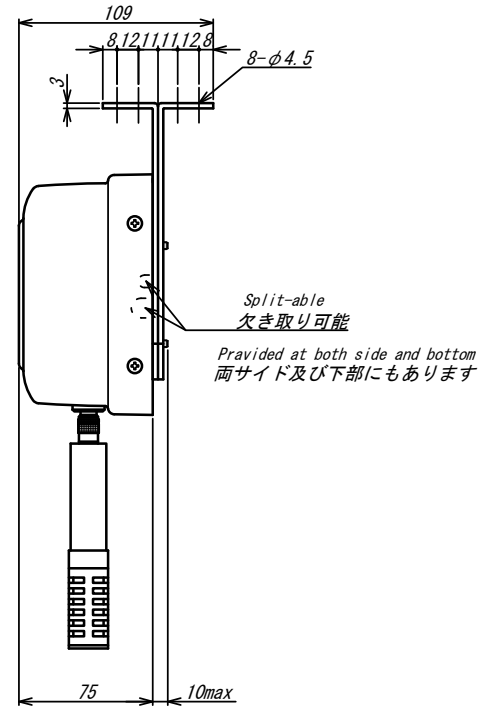
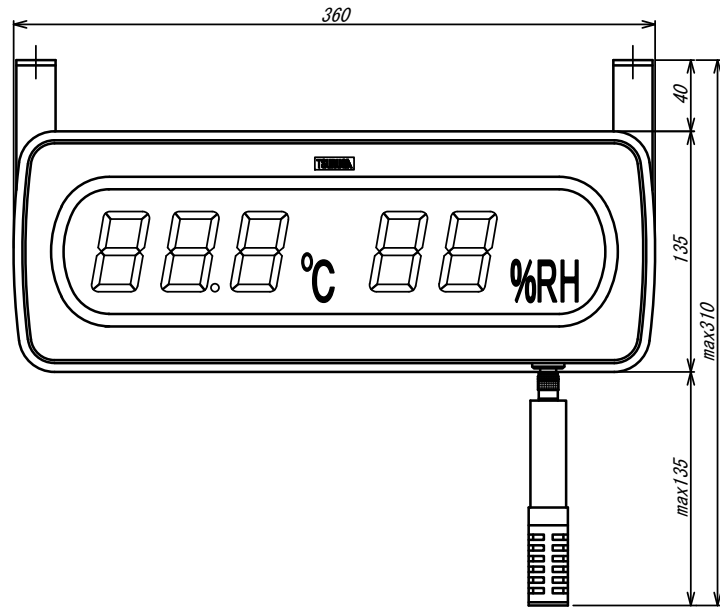
Split-able
欠き取り可能
Provided at both side and bottom
両サイド及び下部にもあります



TSURUGA ELECTRIC CORPORATION. All rights reserved.

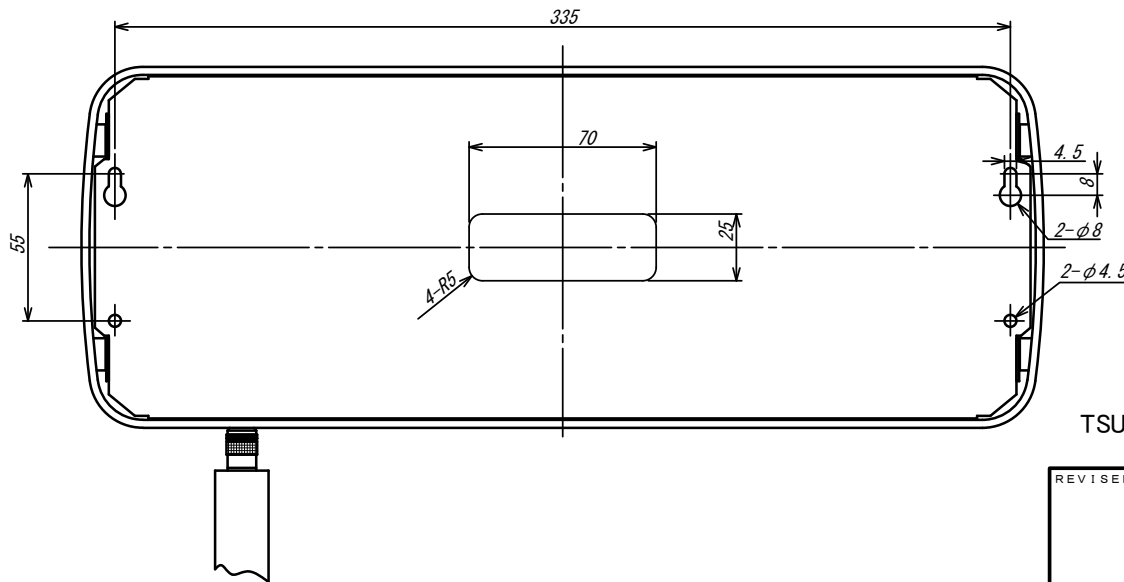
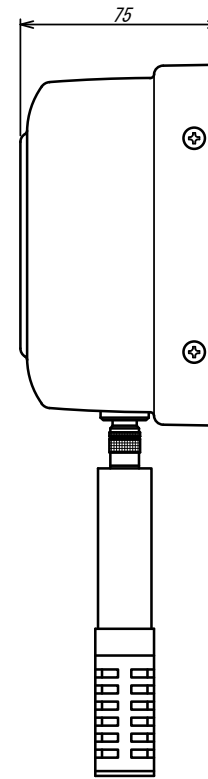
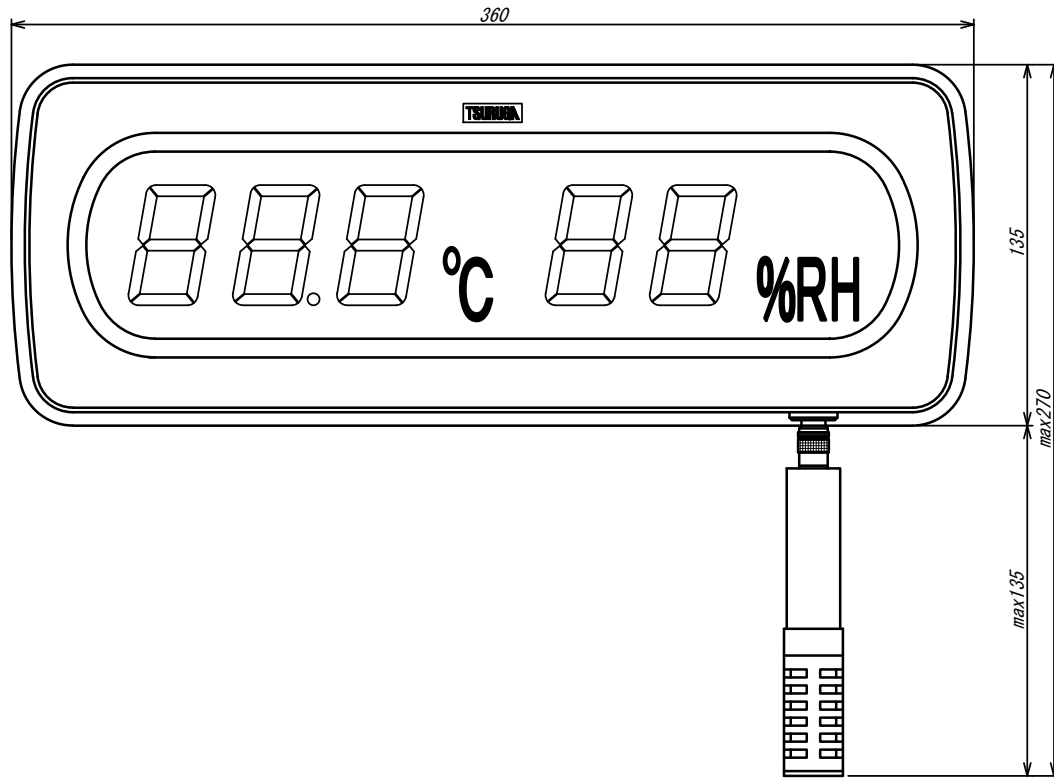
REVISED	DATE	Oct. 27, 2006	APPROVED BY	TITLE	4016-□-51-20-000	
	SCALE		CHECKED BY			
	DESIGNED BY	S. Okano	DRAWN BY	S. Okano	DRAWING No.	FC-01338-1
	TSURUGA ELECTRIC CORPORATION				1/1	

Oct. 20, 2009 S. Okano



TSURUGA ELECTRIC CORPORATION. All rights reserved.

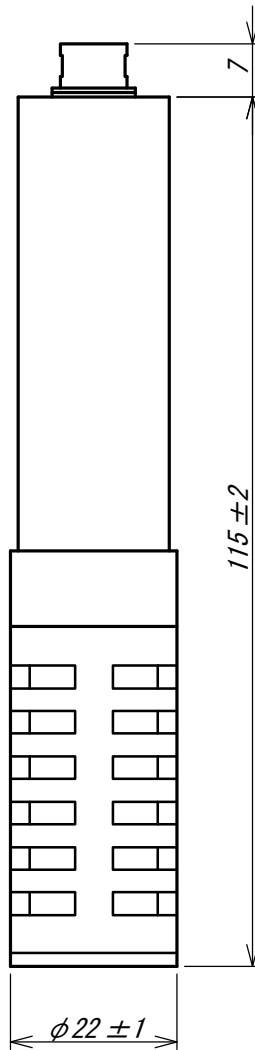
REVISED	DATE	oct. 27, 2006	APPROVED BY	TITLE 4016-□-52-20-000 Lift-mount 吊り下げ取付 DRAWING No. FC-01339-1	
	SCALE		CHECKED BY		
	DESIGNED BY	S. Okano	DRAWN BY		S. Okano
	TSURUGA ELECTRIC CORPORATION				1/1
Oct. 20, 2009 S. Okano					



TSURUGA ELECTRIC CORPORATION. All rights reserved.

REVISED	DATE	Oct. 27, 2006	APPROVED BY	TITLE 4016-□-53-20-000 Implant-mount 壁面張り付け取付 DRAWING No. FC-01340-1 1/1	
	SCALE	1:2	CHECKED BY		
	DESIGNED BY	S. Okano	DRAWN BY		S. Okano
	TSURUGA ELECTRIC CORPORATION				
Oct. 20, 2009 S. Okano					

DRAWING No. **FB-00686-2**
1/1



TSURUGA ELECTRIC CORPORATION. All Rights Reserved.

REVISED	DATE <i>Mar. 8. 2006</i>	APPROVED BY	TITLE
	SCALE	CHECKED BY	SENSOR 5816-22
Oct. 20. 2009 S. Okano Jun. 27. 2006 N. Mizutani	DESIGNED BY <i>S. Okano</i>	DRAWN BY <i>N. Mizutani</i>	DRAWING No.
	TSURUGA ELECTRIC CORPORATION		<i>FB-00686-2</i>