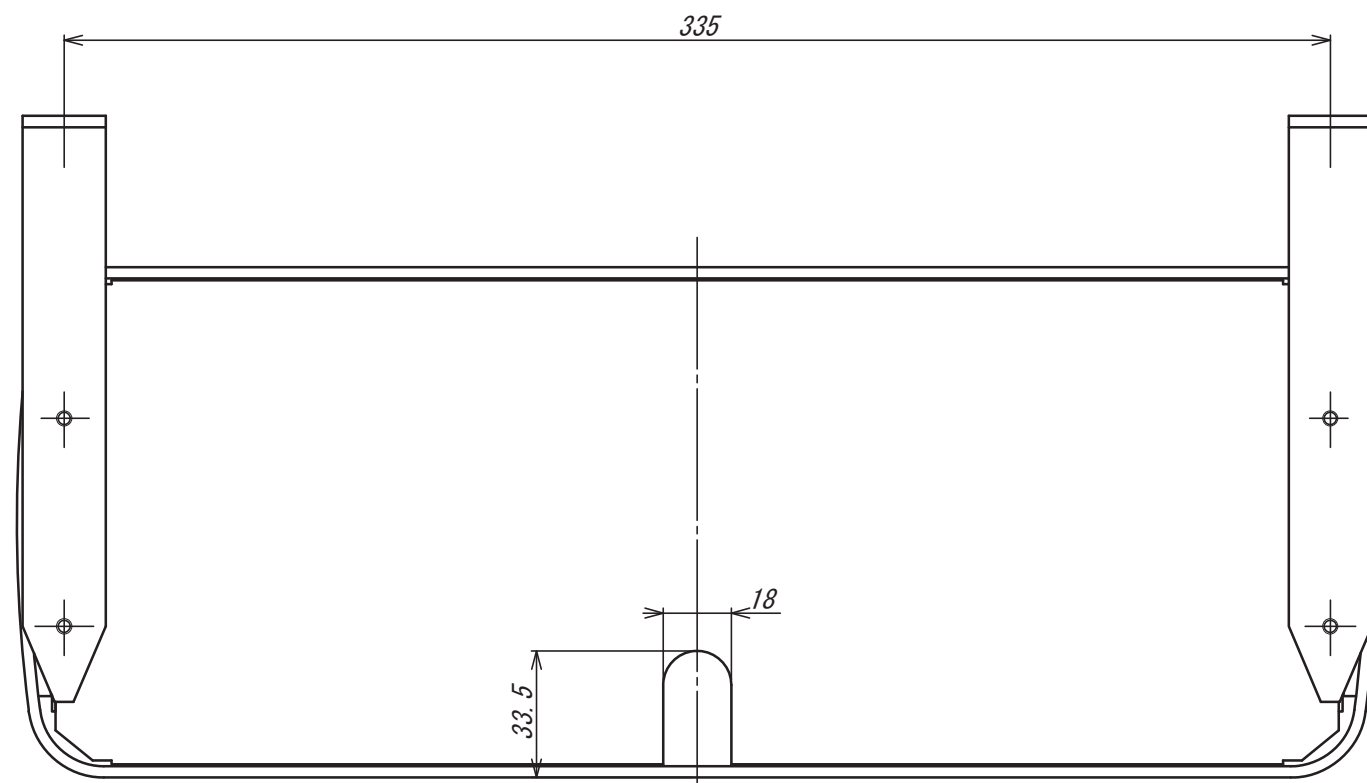
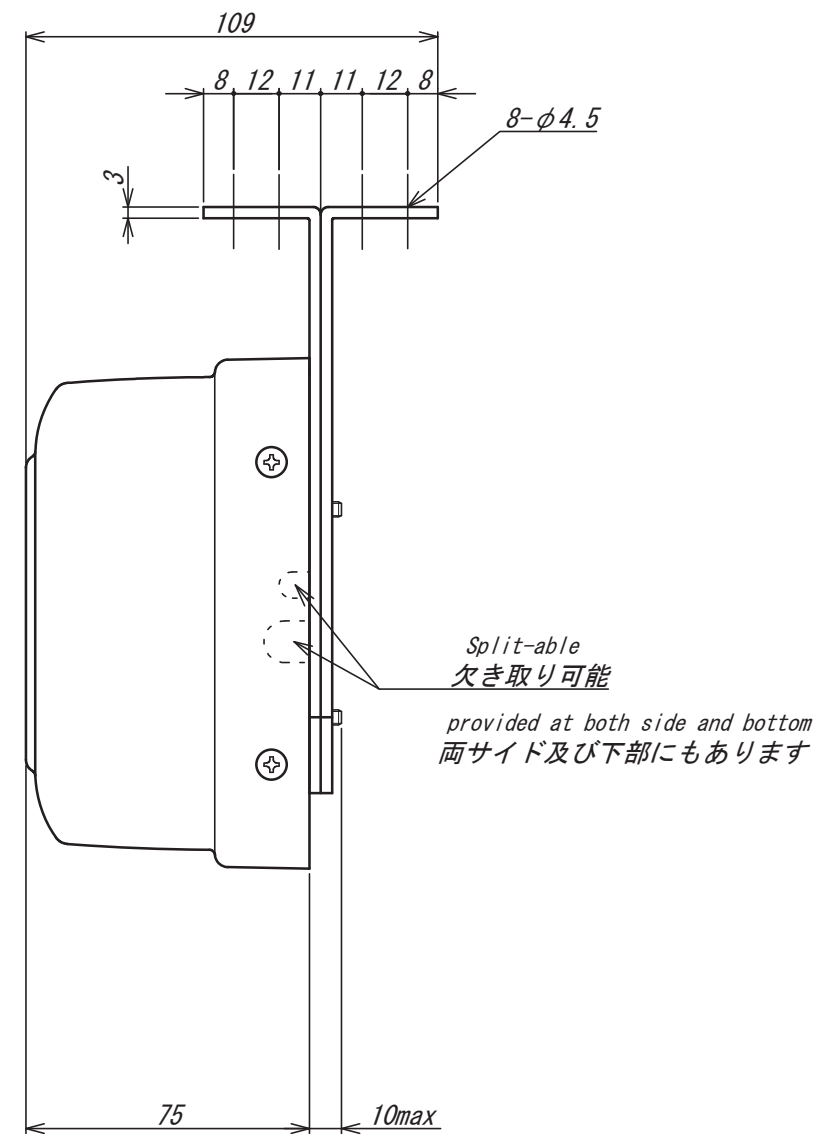
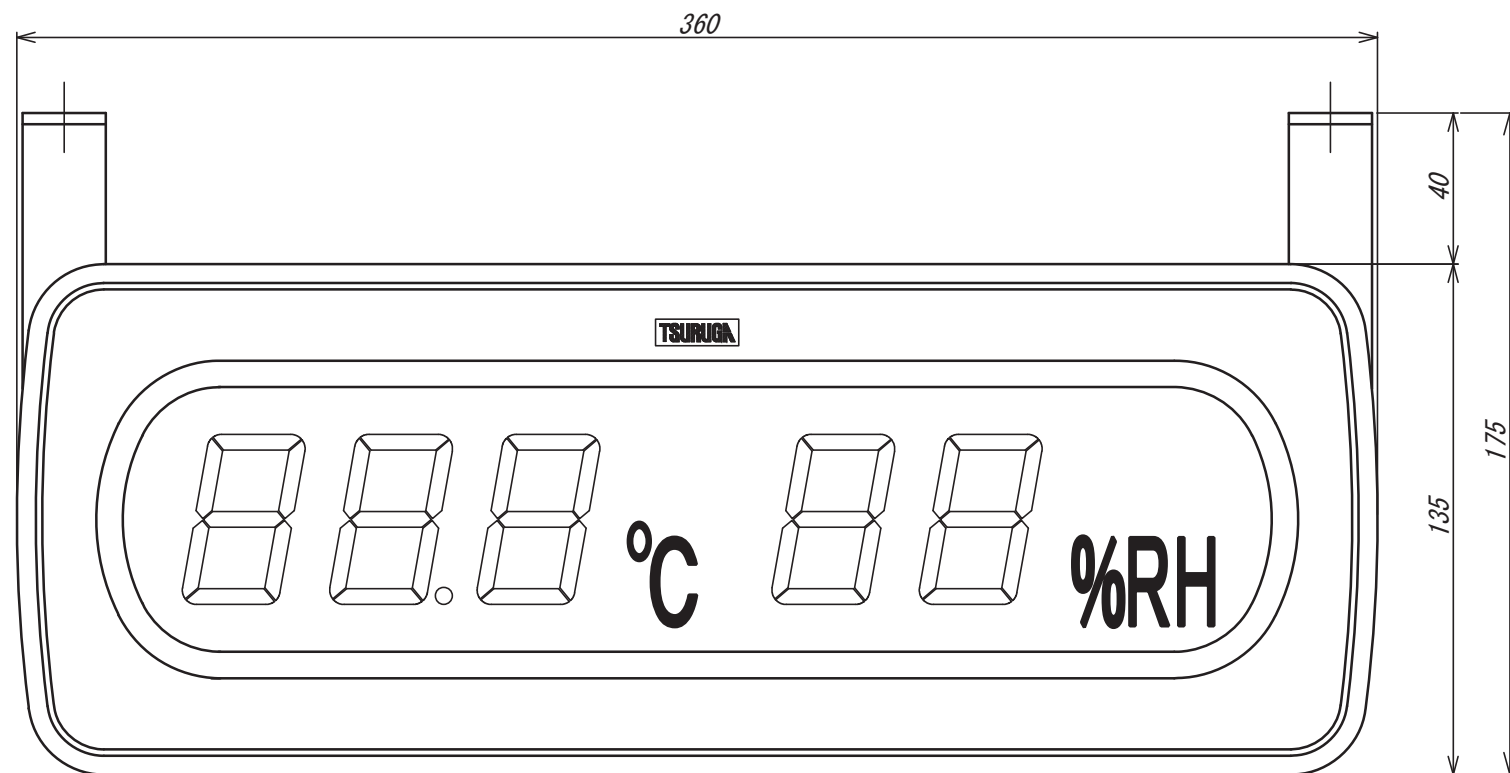


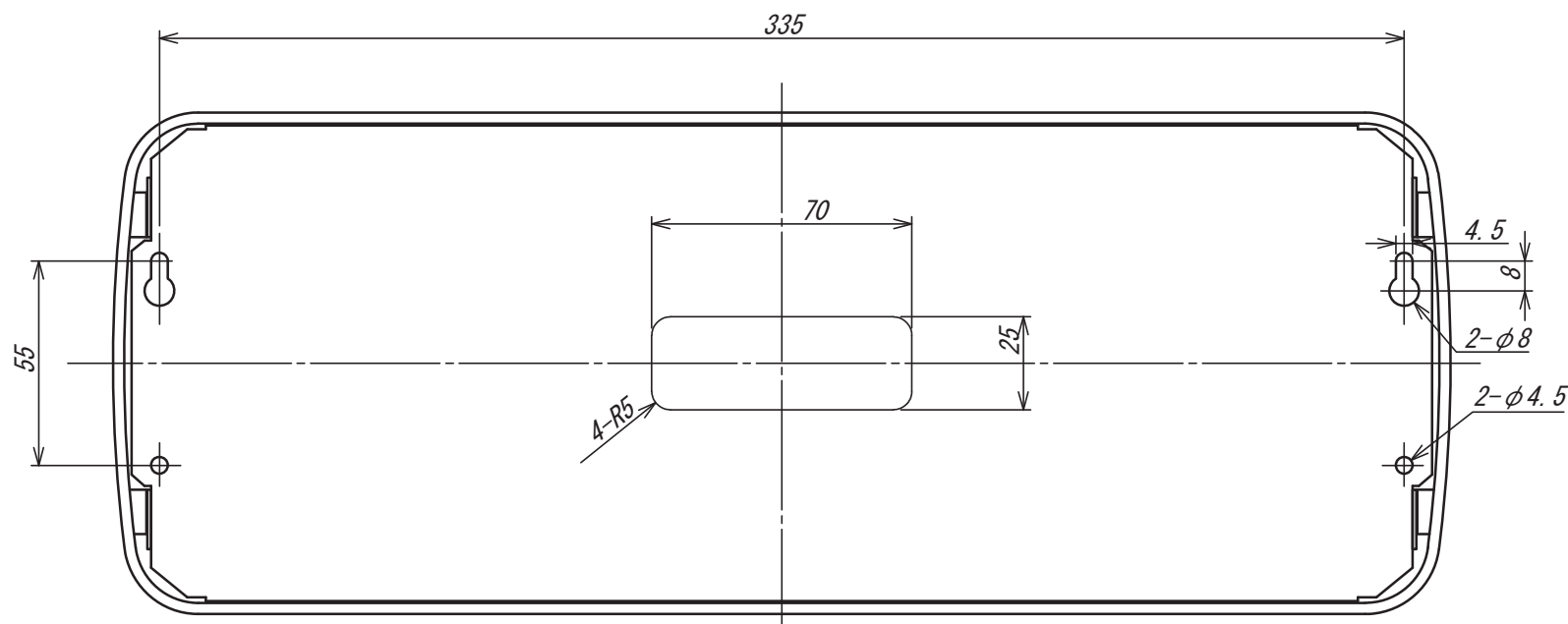
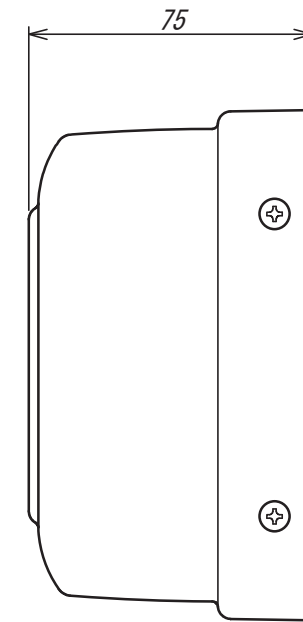
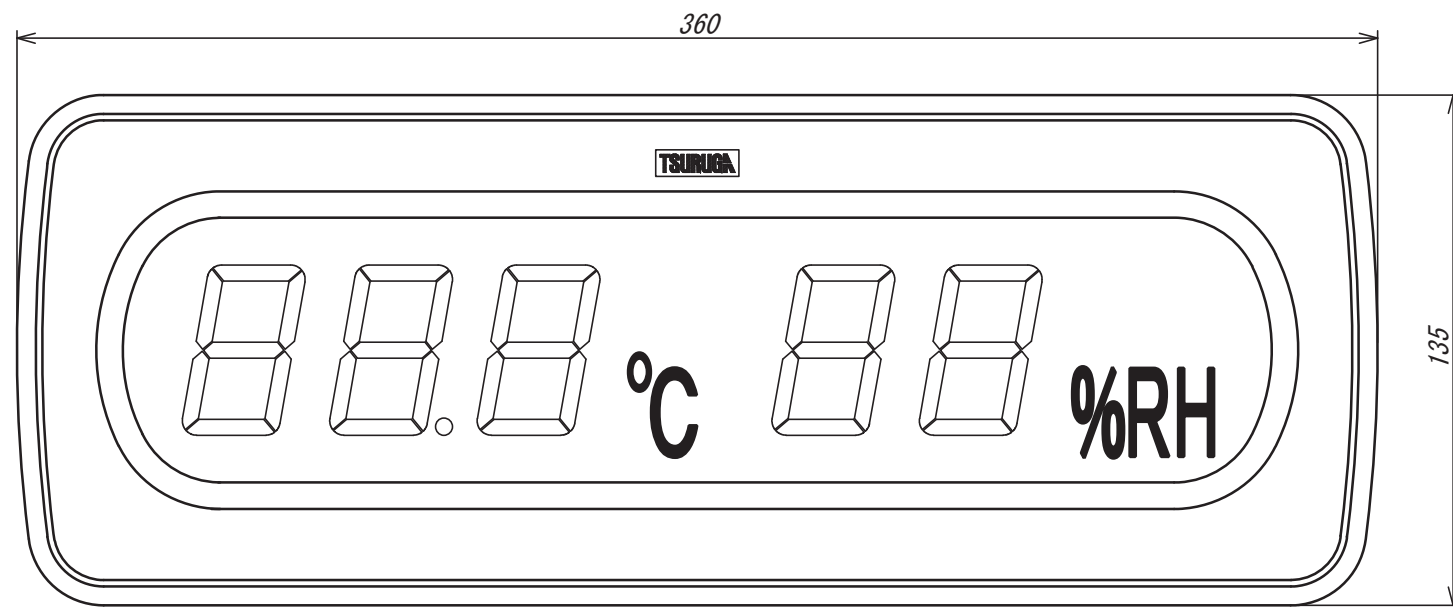
TSURUGA ELECTRIC CORPORATION All Rights Reserved.

| | | | | | |
|---------|------------------------------|------------|-------------|------------|---------------------------------|
| REVISED | DATE | 2021/12/15 | APPROVED BY | TITLE | 4017A-51 Wall-mount 壁掛け取付 |
| | CHECKED BY | | | | |
| | SCALE | | DRAWN BY | N. Tsuruga | DRAWING No. |
| | TSURUGA ELECTRIC CORPORATION | | | | FC-01780 |



TSURUGA ELECTRIC CORPORATION All Rights Reserved.

| | | | | | | |
|---------|------------------------------|------------|-------------|------------|-------------------------------------|----------|
| REVISED | DATE | 2021/12/15 | APPROVED BY | TITLE | 4017A-52 Hanging-mount 吊り下げ取付 | |
| | CHECKED BY | | | | | |
| | SCALE | | DRAWN BY | N. Tsuruga | DRAWING No. | FC-01781 |
| | TSURUGA ELECTRIC CORPORATION | | | | | 1/1 |



TSURUGA ELECTRIC CORPORATION All Rights Reserved.

| | | | | | | |
|---------|------------------------------|------------|-------------|------------|--|----------|
| REVISED | DATE | 2021/12/15 | APPROVED BY | TITLE | 4017A-53 Sticking-mount 壁面張り付け取付 | |
| | CHECKED BY | | | | | |
| | SCALE | | DRAWN BY | N. Tsuruga | DRAWING No. | FC-01782 |
| | TSURUGA ELECTRIC CORPORATION | | | | | 1/1 |