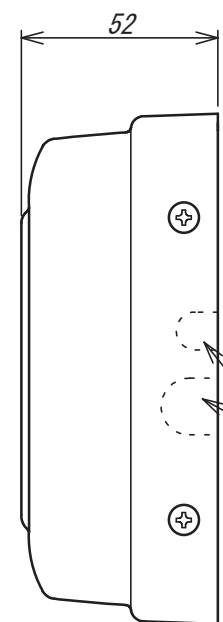
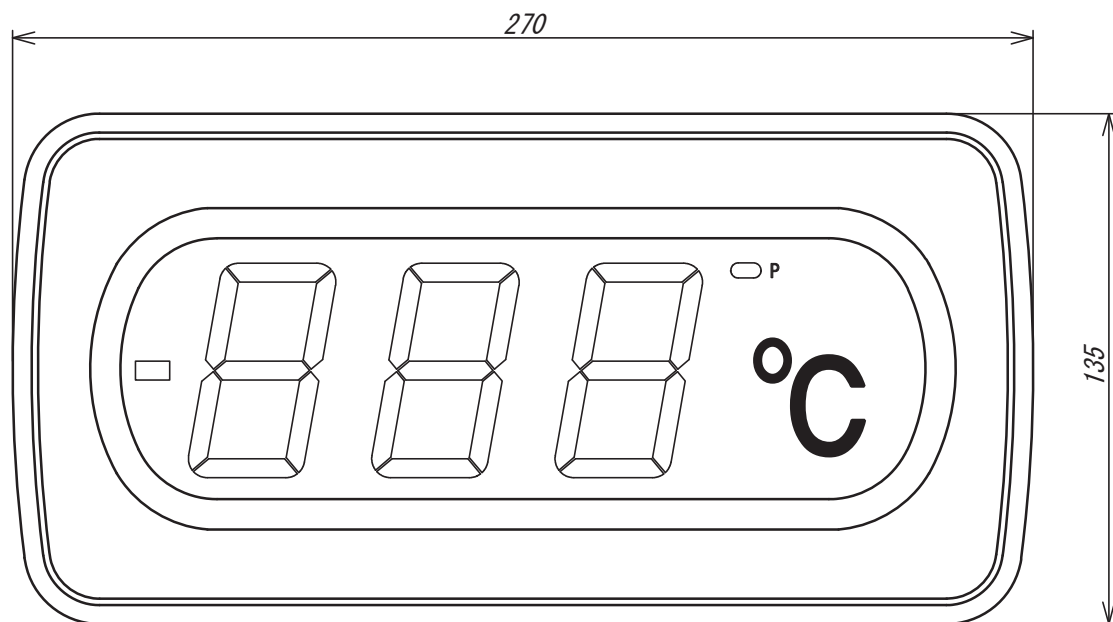
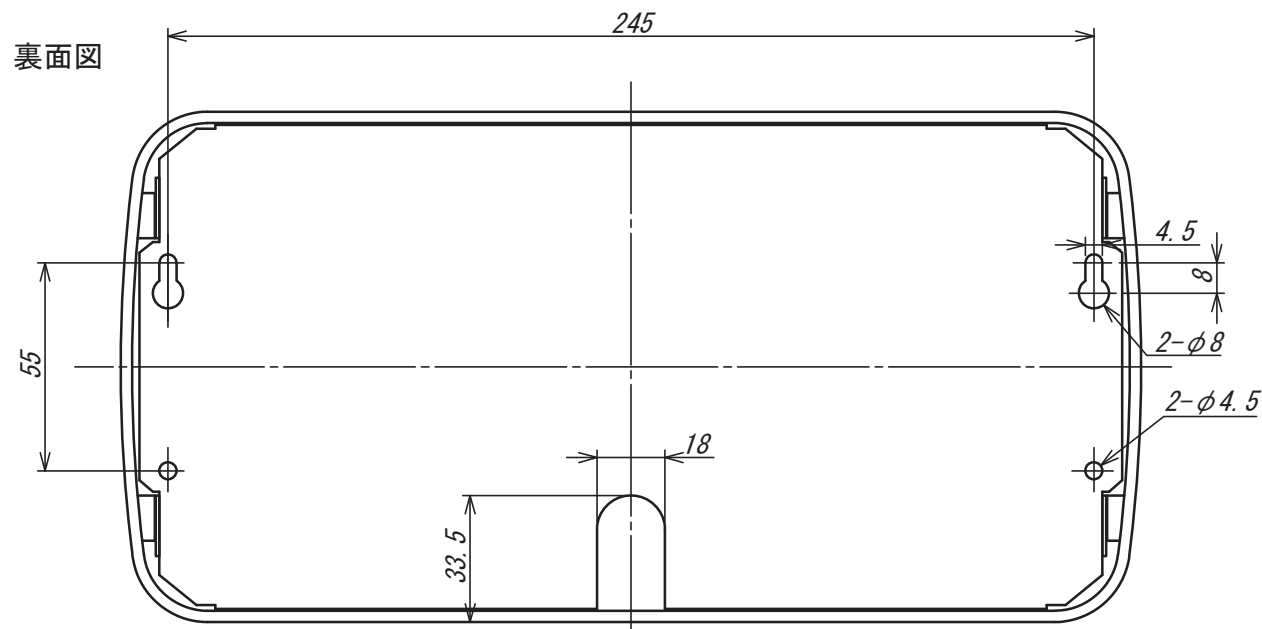


正面図

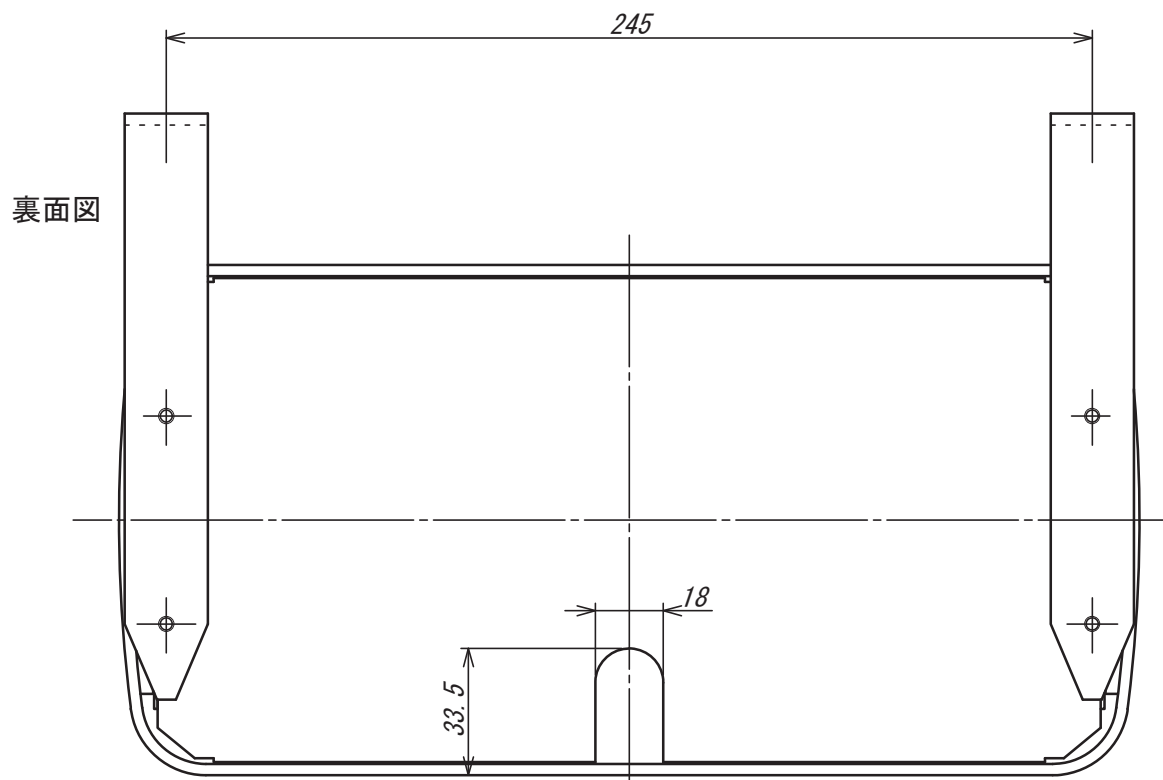
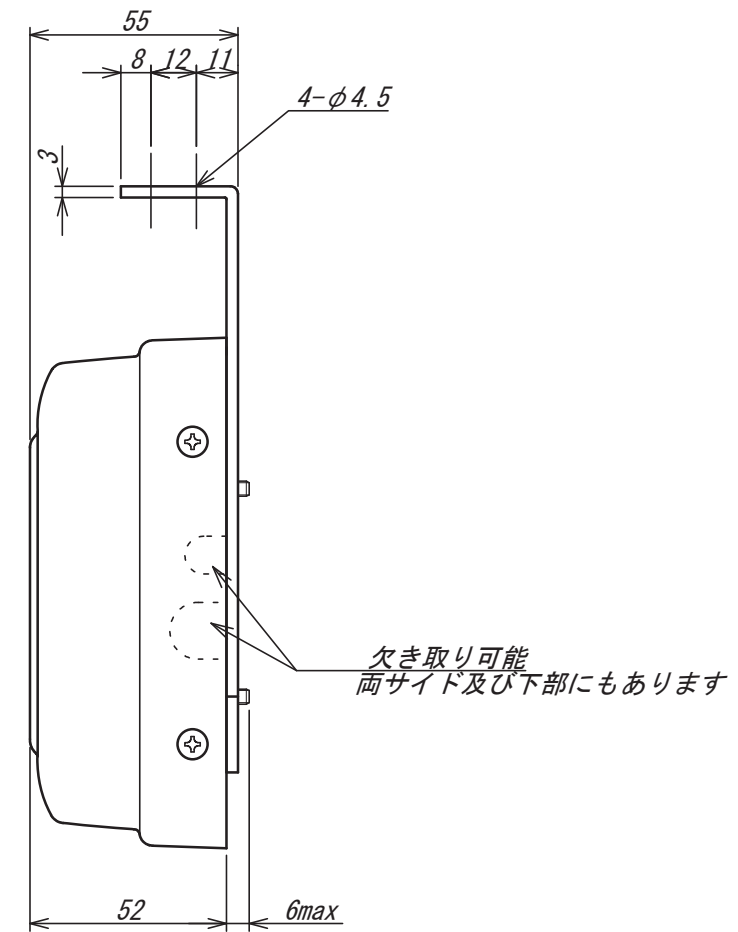
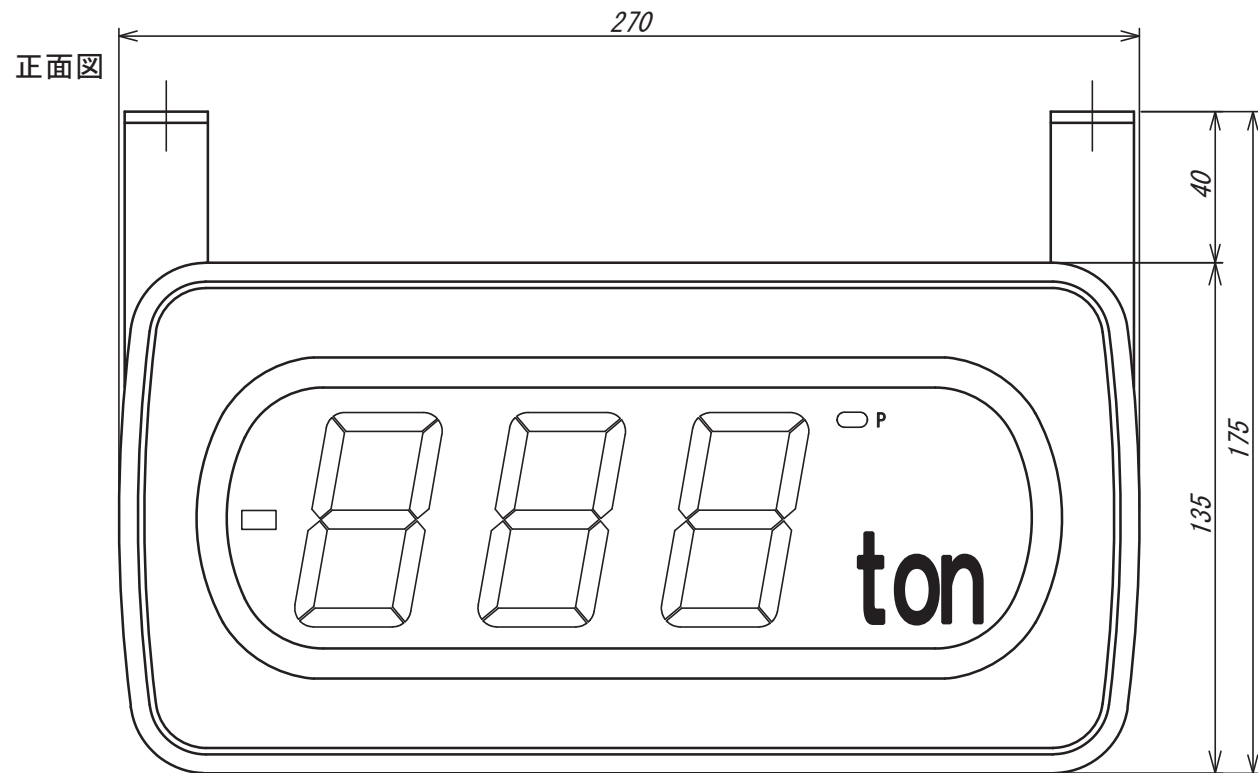


欠き取り可能
両サイド及び下部にもあります

裏面図



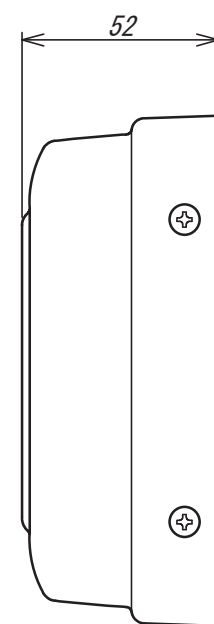
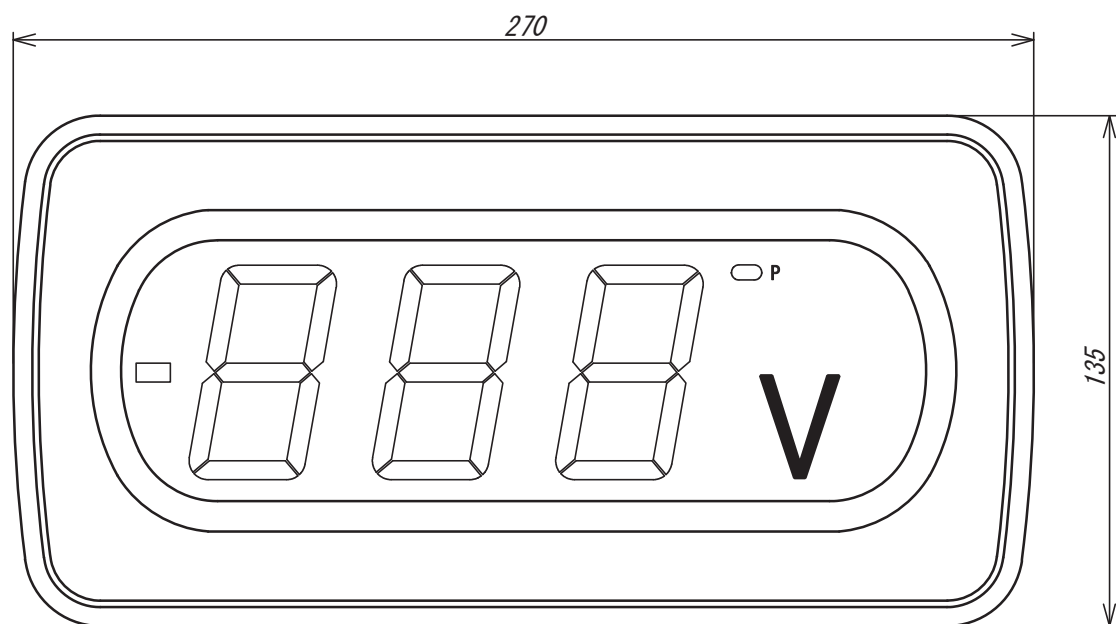
REVISED	DATE	Dec. 3, 2020	APPROVED BY		TITLE	4025-□□
	SCALE		CHECKED BY		4026-□□	
	DESIGNED BY	N. Tsuruga	DRAWN BY	N. Tsuruga	- 5 1 (壁掛け取付)	
	TSURUGA ELECTRIC CORPORATION				DRAWING No.	FC-01751
						1/6



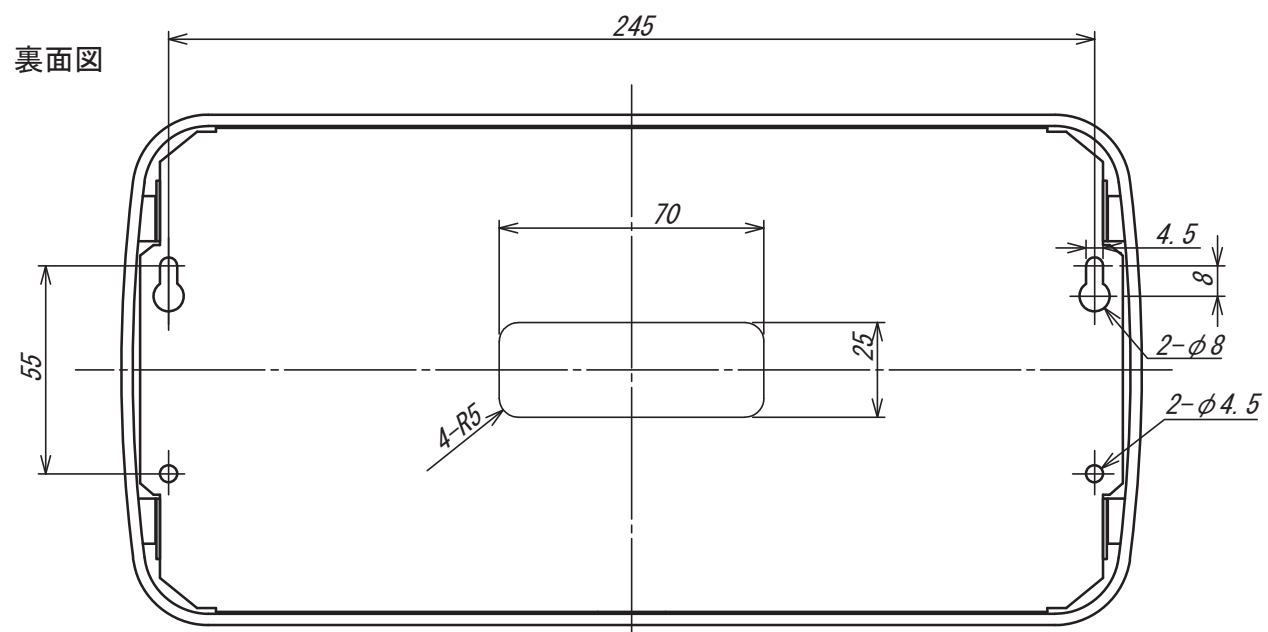
TSURUGA ELECTRIC CORPORATION All Rights Reserved.

REVISED	DATE	Dec. 3, 2020	APPROVED BY	TITLE
	SCALE		CHECKED BY	4025-□□ 4026-□□ -52(吊り下げ取付)
	DESIGNED BY	N. Tsuruga	DRAWN BY	N. Tsuruga
	TSURUGA ELECTRIC CORPORATION			DRAWING No. FC-01751
				2/6

正面図



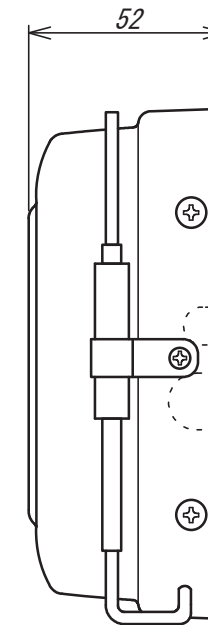
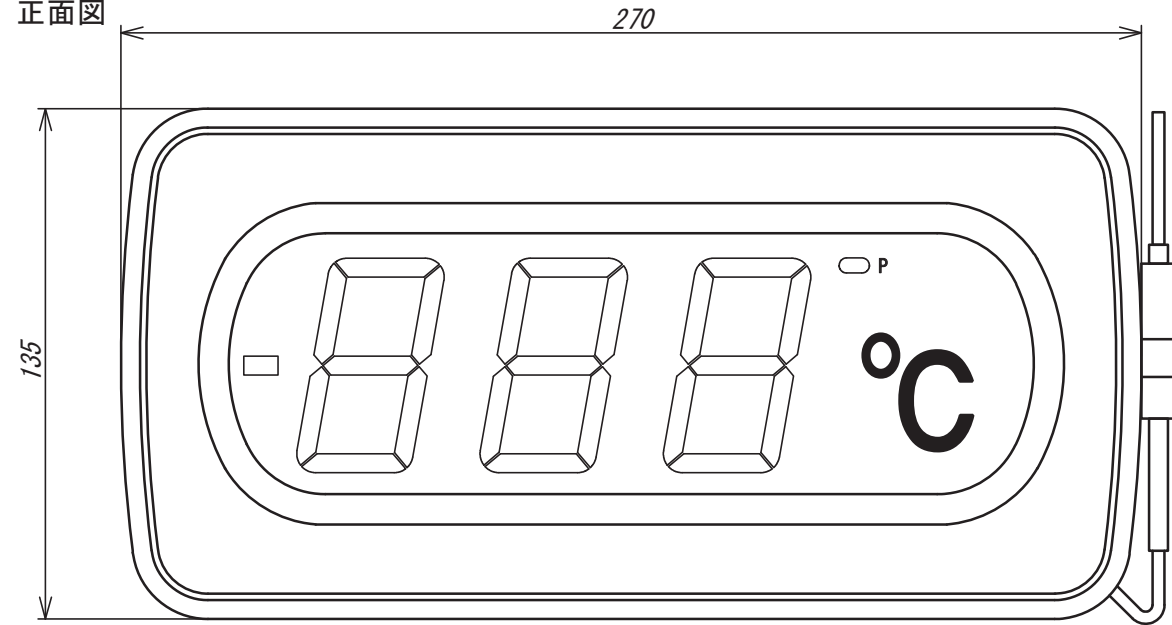
裏面図



TSURUGA ELECTRIC CORPORATION All Rights Reserved.

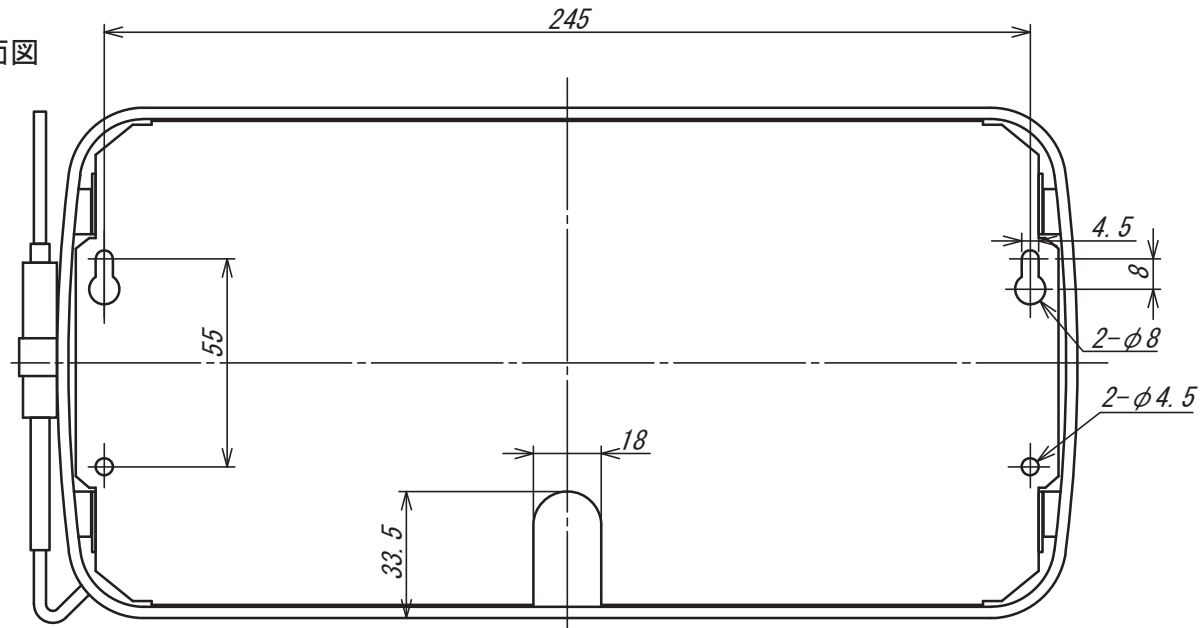
REVISED	DATE	Dec. 3, 2020	APPROVED BY	TITLE
	SCALE		CHECKED BY	4025-□□ 4026-□□ -53 (壁面張り付け取付)
	DESIGNED BY	N. Tsuruga	DRAWN BY	N. Tsuruga
	TSURUGA ELECTRIC CORPORATION			DRAWING No. FC-01751
				3/6

正面図

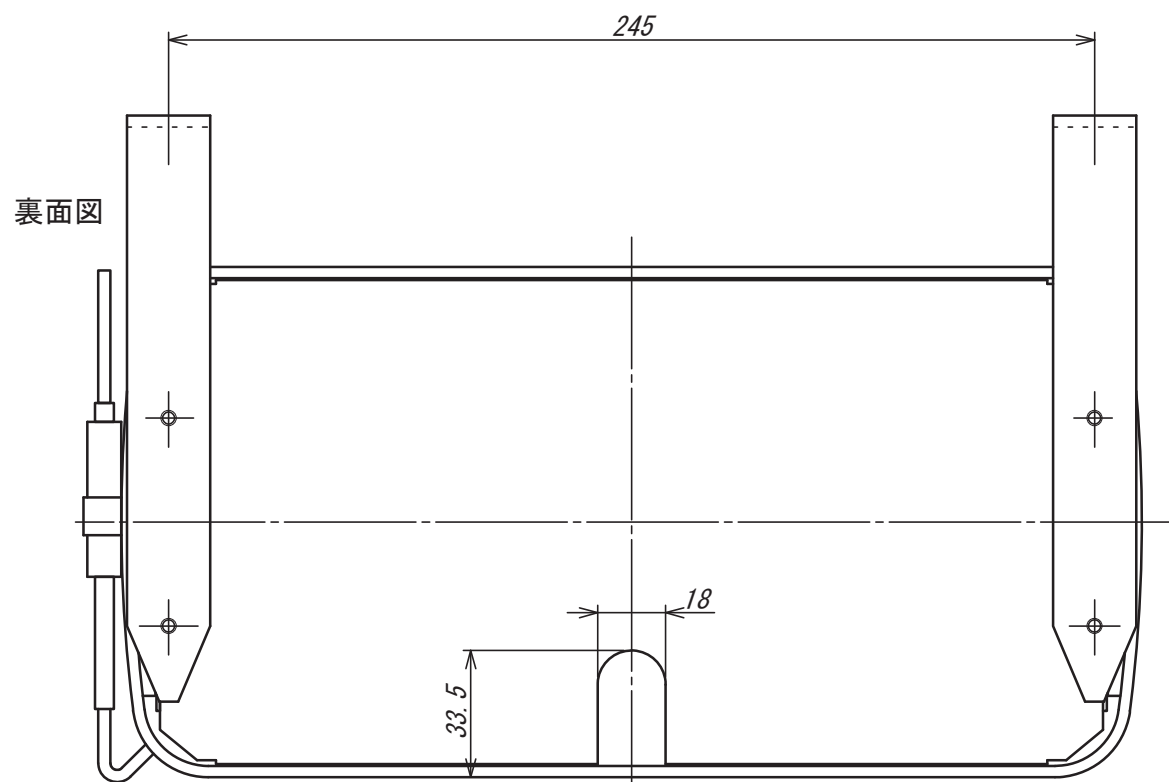
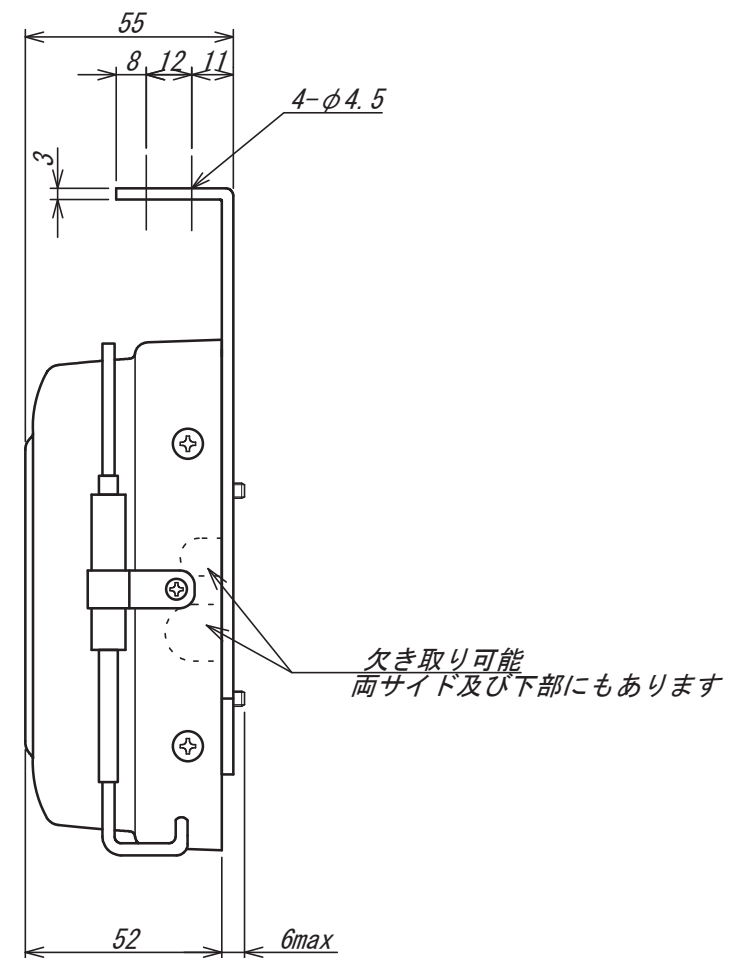
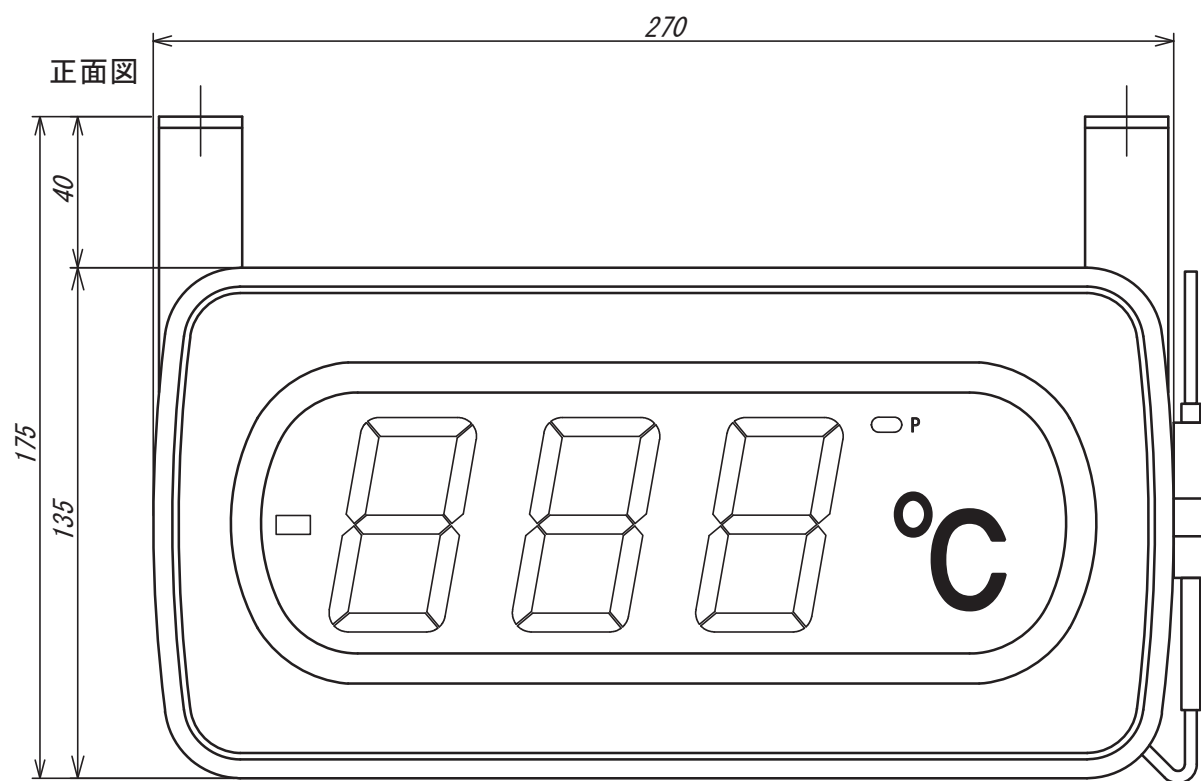


欠き取り可能
両サイド及び下部にもあります

裏面図



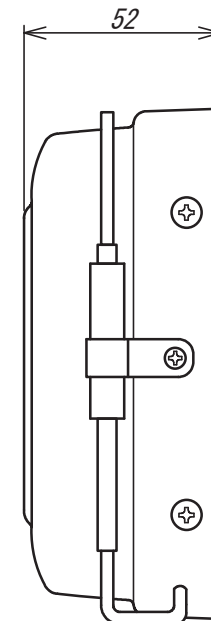
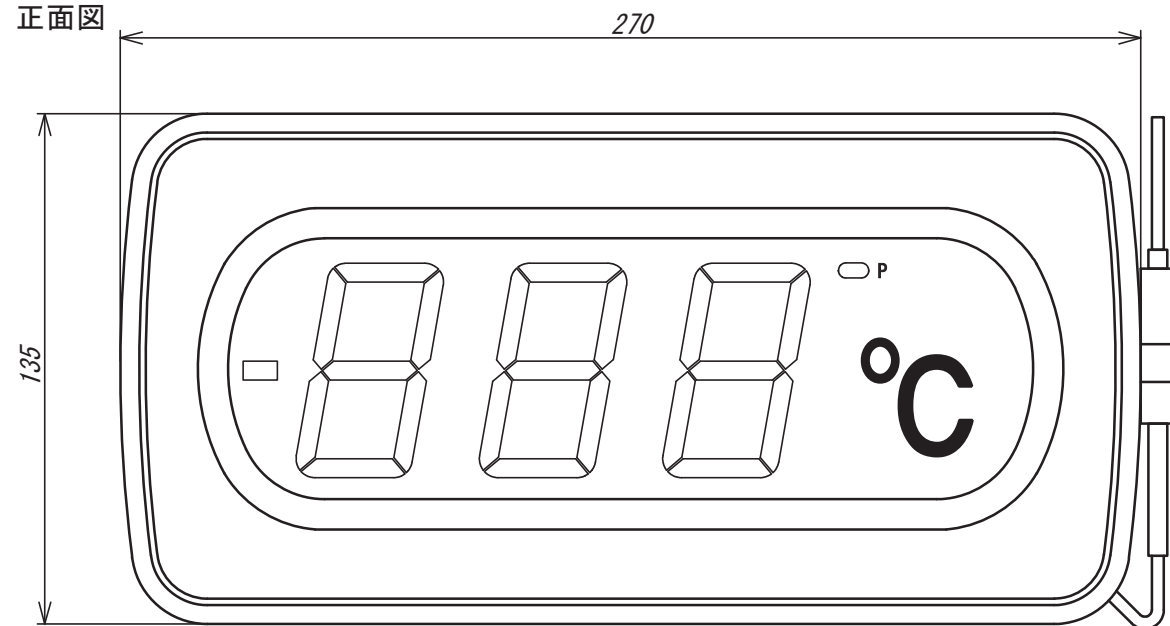
REVISED	DATE	Dec. 3, 2020	APPROVED BY		TITLE	4025-1□ Ptセンサー体形 -61(壁掛け取付)
	SCALE		CHECKED BY		DRAWING No.	FC-01751
	DESIGNED BY	N. Tsuruga	DRAWN BY	N. Tsuruga		4/6
	TSURUGA ELECTRIC CORPORATION					



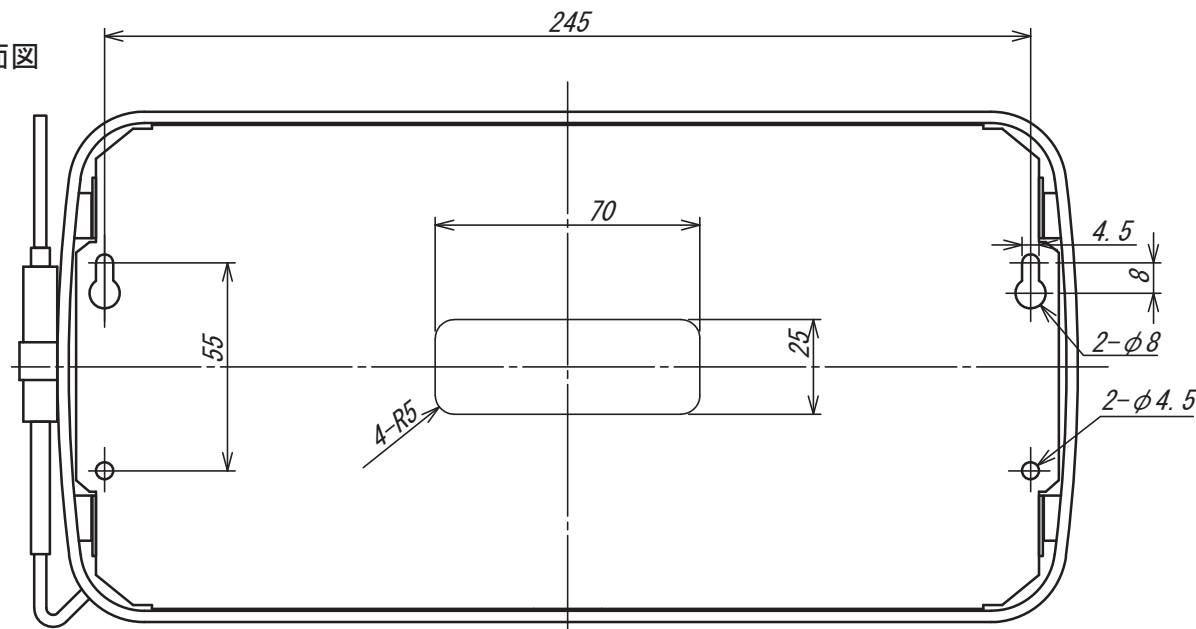
TSURUGA ELECTRIC CORPORATION All Rights Reserved.

REVISED	DATE	Dec. 3, 2020	APPROVED BY	TITLE 4025-1□ Ptセンサー体形 -62(吊り下げ取付) DRAWING No. FC-01751	
	SCALE		CHECKED BY		
	DESIGNED BY	N. Tsuruga	DRAWN BY		N. Tsuruga
	TSURUGA ELECTRIC CORPORATION				5/6

正面図



裏面図



TSURUGA ELECTRIC CORPORATION All Rights Reserved.

REVISED	DATE	Dec. 3, 2020	APPROVED BY	TITLE 4025-1□ Ptセンサー体形 -63(壁面張り付け取付) DRAWING No. FC-01751	
	SCALE		CHECKED BY		
	DESIGNED BY	N. Tsuruga	DRAWN BY		N. Tsuruga
	TSURUGA ELECTRIC CORPORATION				6/9