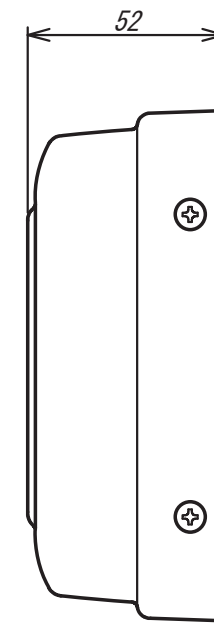
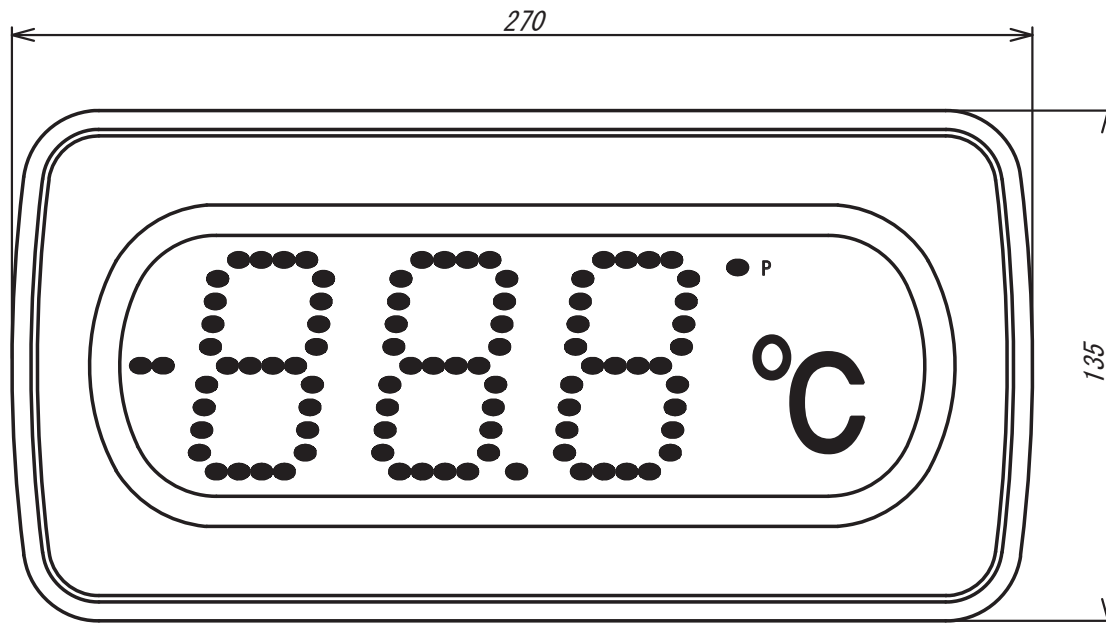
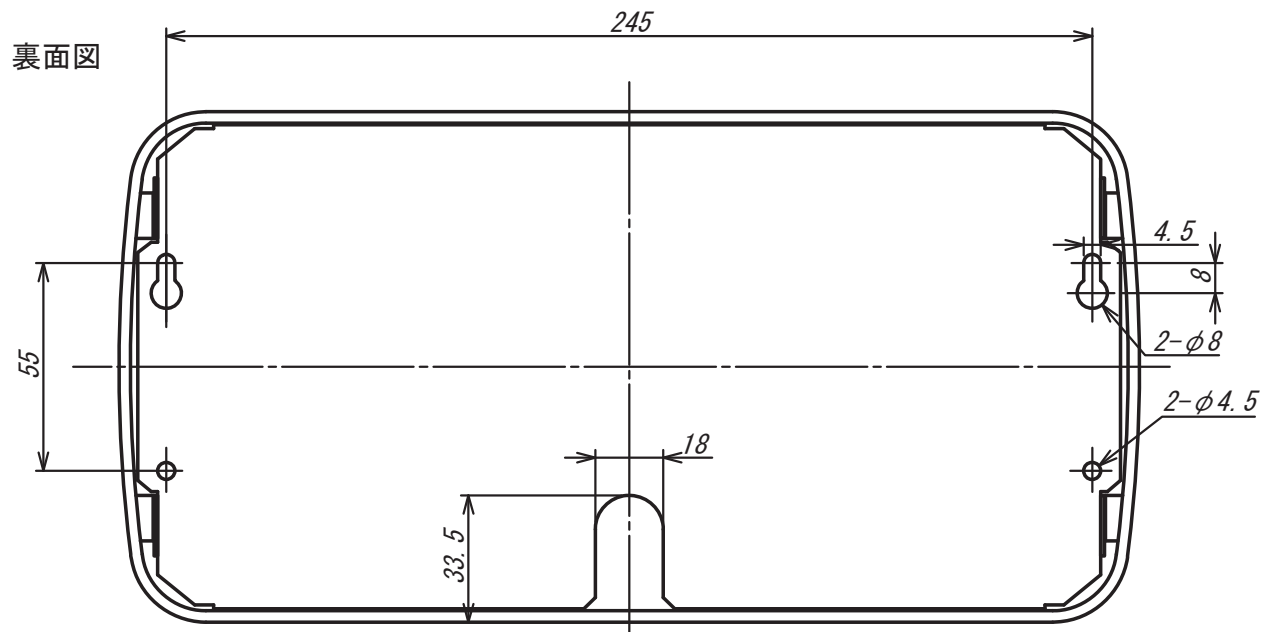


(壁掛け取付)

正面図



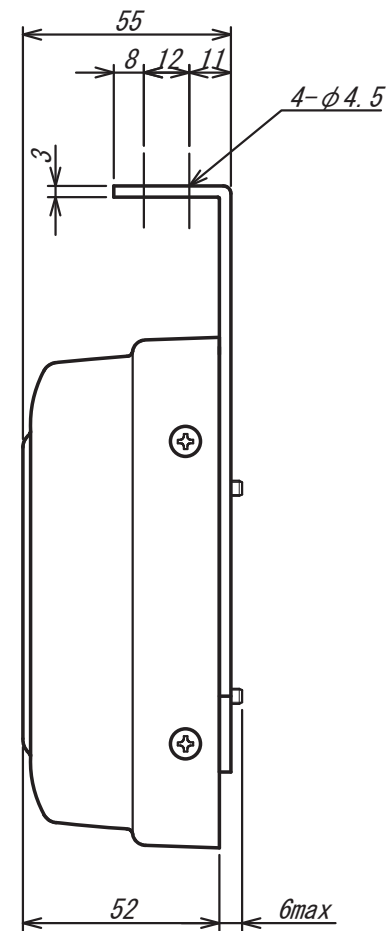
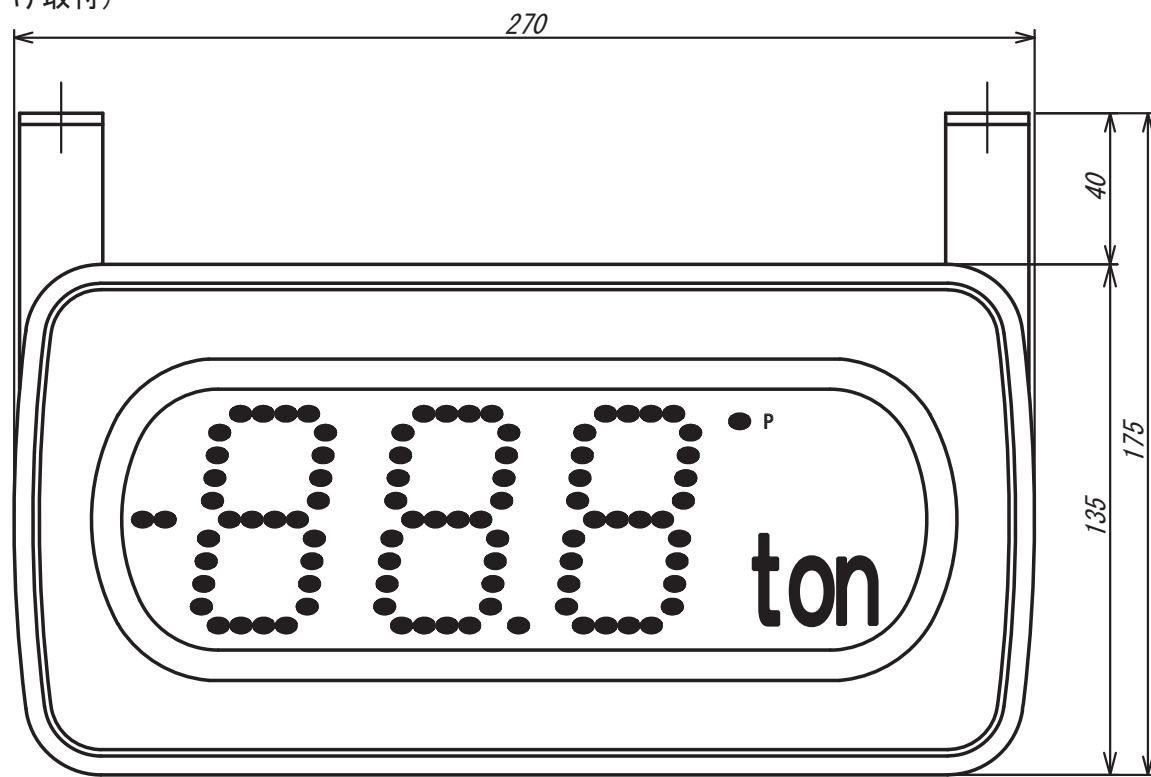
裏面図



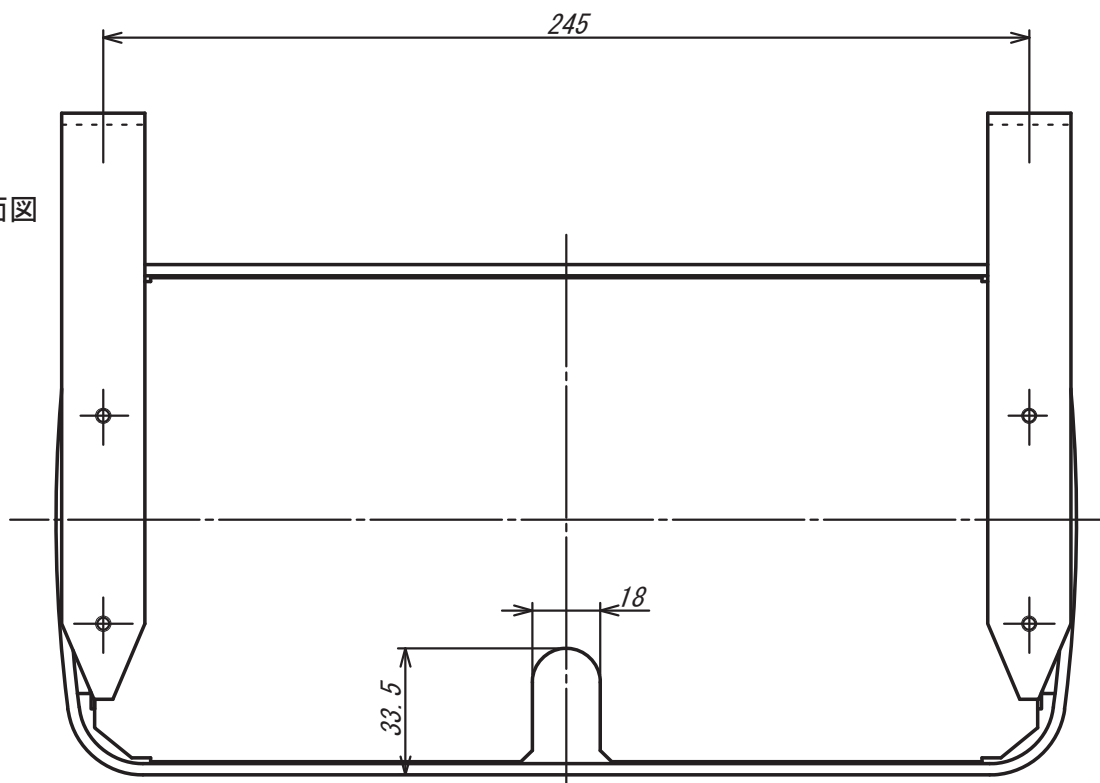
REVISED	DATE	2020/08/18	APPROVED BY	TITLE	4027-51
	SCALE		CHECKED BY	4028-51	外形図
	DESIGNED BY	N. Tsuruga	DRAWN BY	N. Tsuruga	DRAWING No.
	TSURUGA ELECTRIC CORPORATION				FC-01745

(吊り下げ取付)

正面図



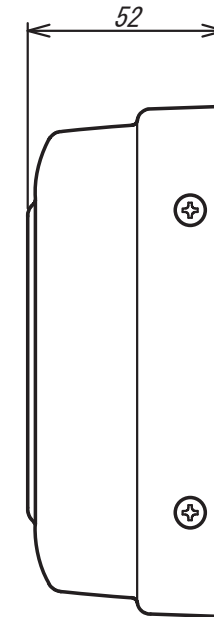
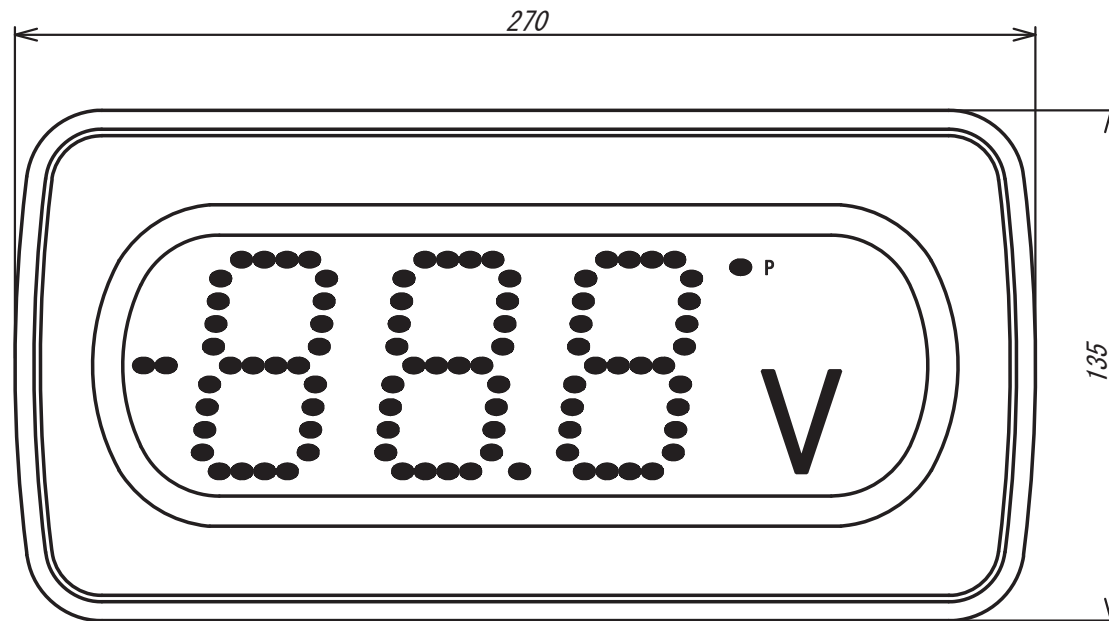
裏面図



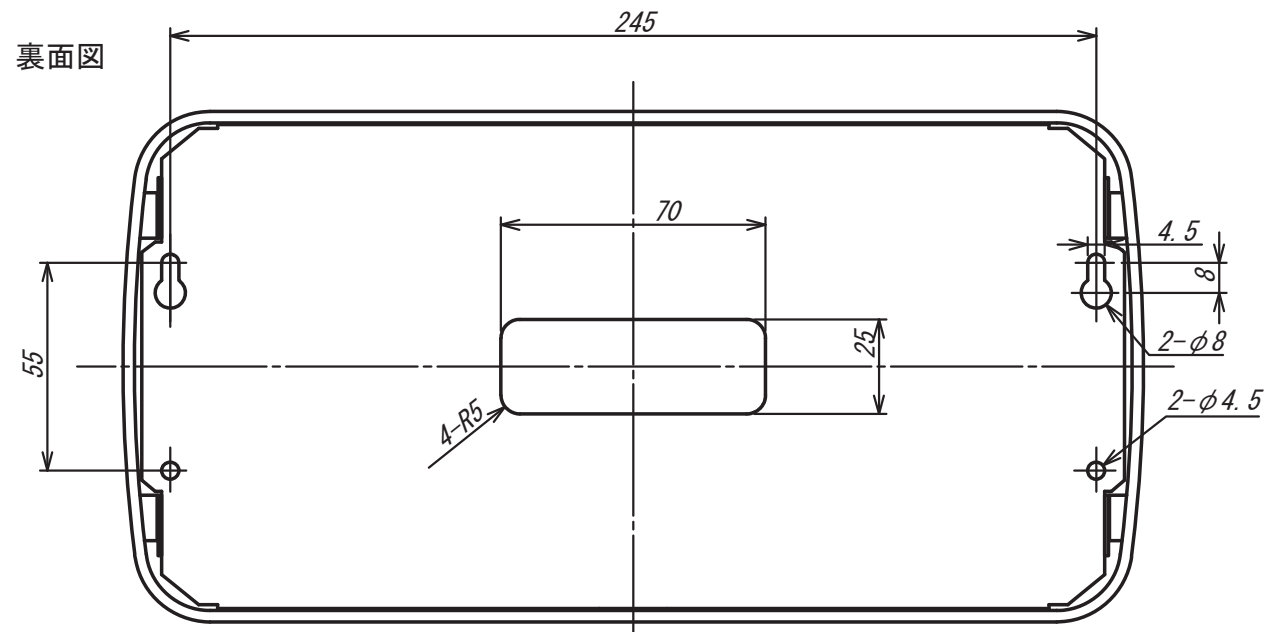
REVISED	DATE	2020/08/18	APPROVED BY	TITLE	4027-52
	SCALE		CHECKED BY	4028-52	外形図
	DESIGNED BY	N. Tsuruga	DRAWN BY	N. Tsuruga	DRAWING No.
	TSURUGA ELECTRIC CORPORATION				FC-01745

(壁面張り付け取付)

正面図



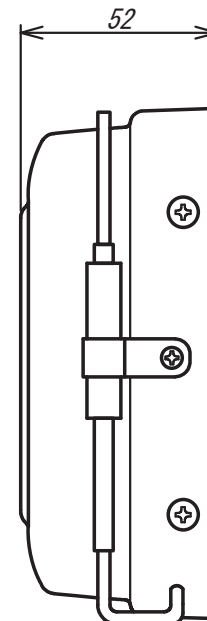
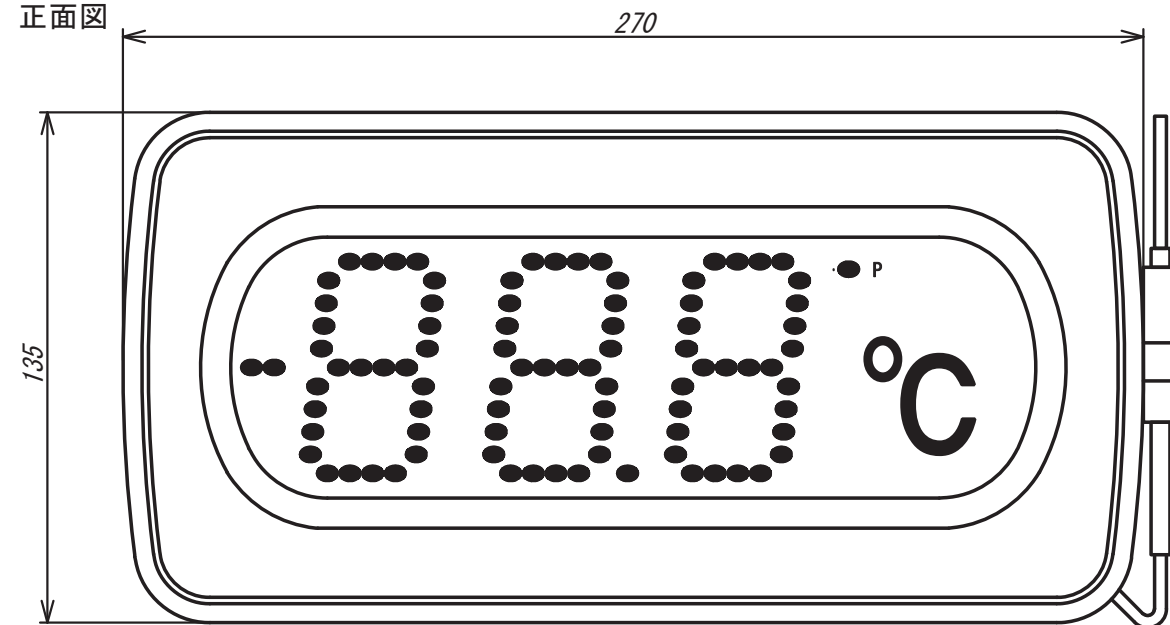
裏面図



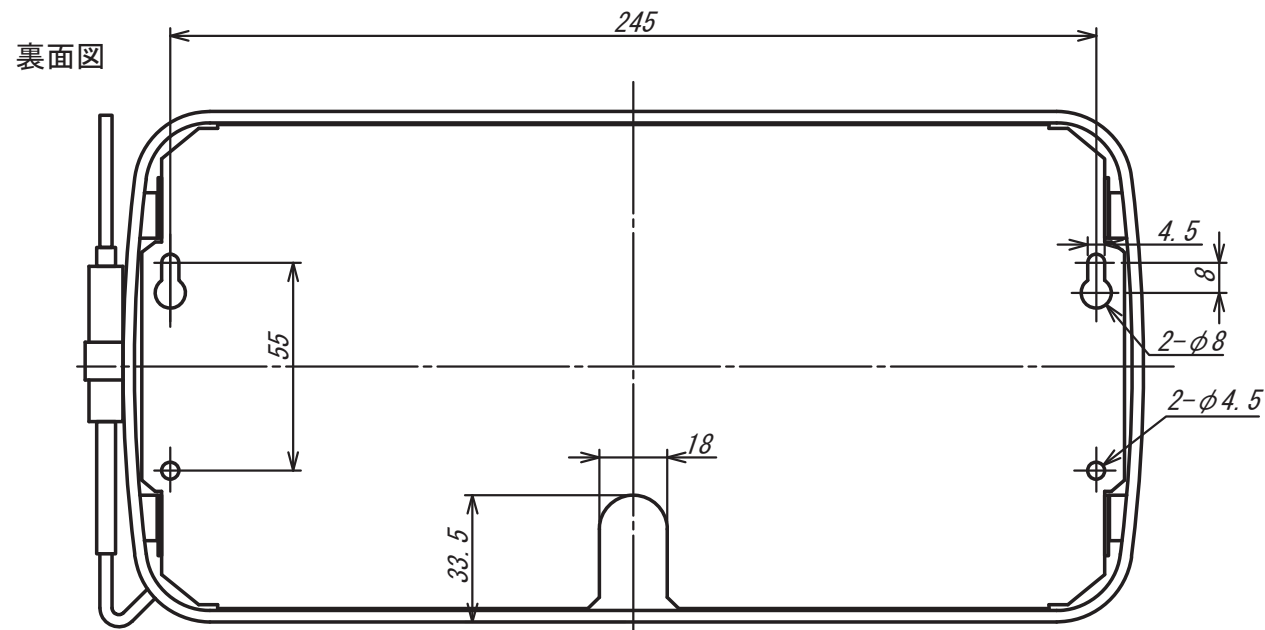
REVISED	DATE	2020/08/18	APPROVED BY		TITLE	4027-53
	SCALE		CHECKED BY		4028-53	外形図
	DESIGNED BY	N. Tsuruga	DRAWN BY	N. Tsuruga	DRAWING No.	FC-01745
	TSURUGA ELECTRIC CORPORATION					

(壁掛け取付 Ptセンサー体形)

正面図

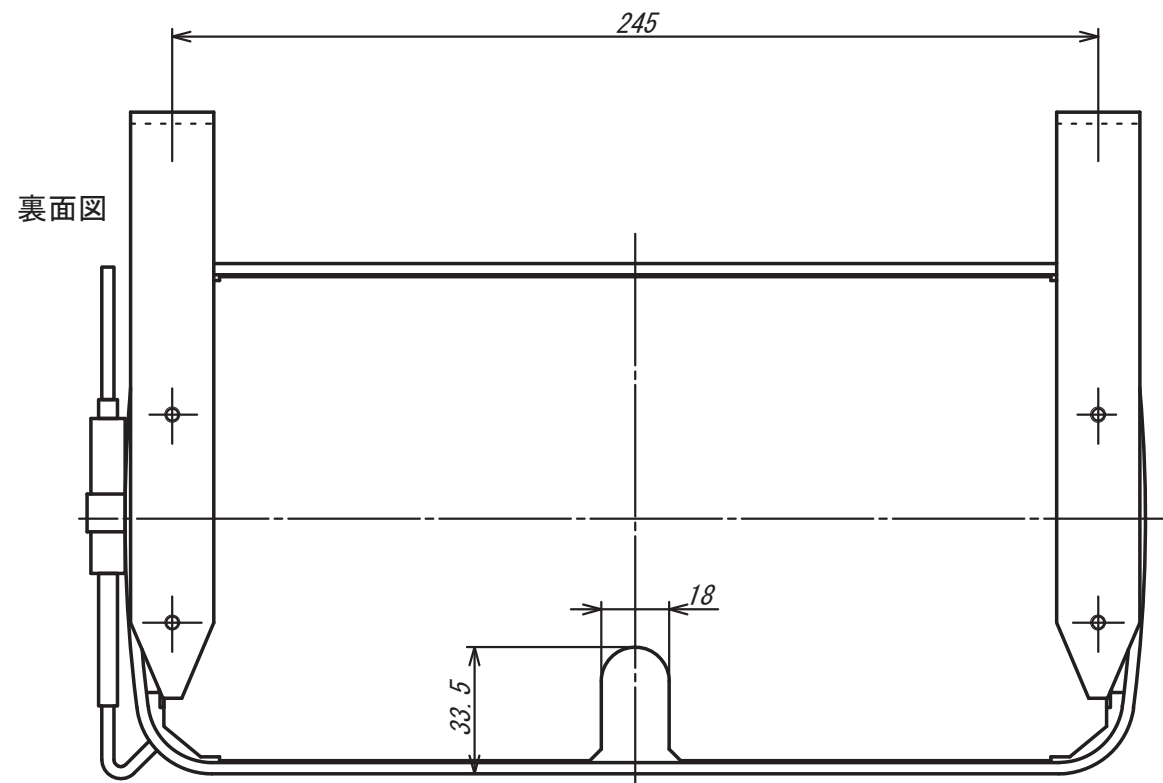
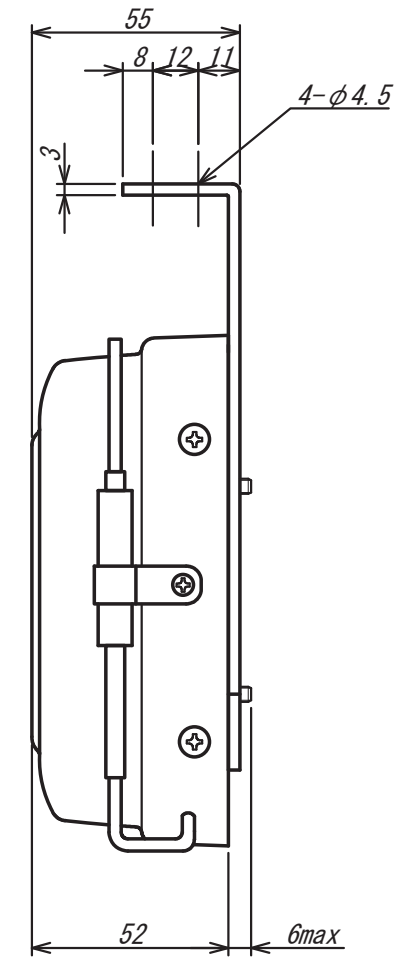
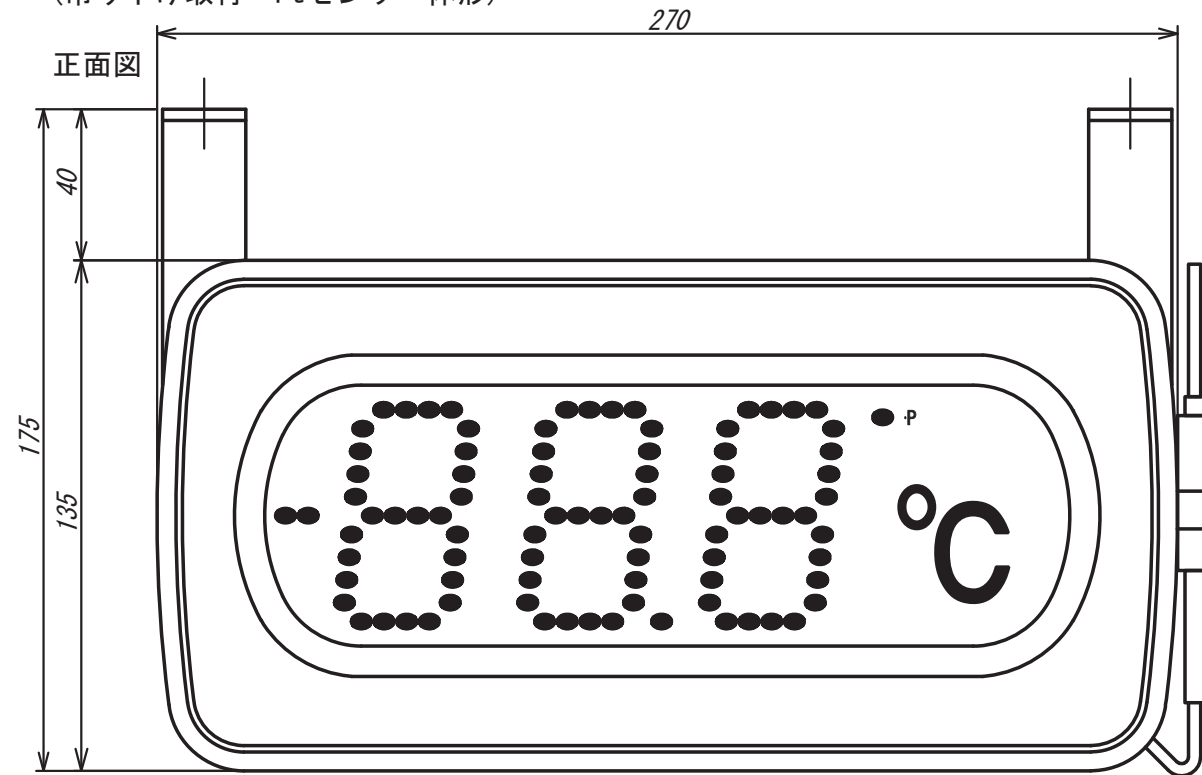


裏面図



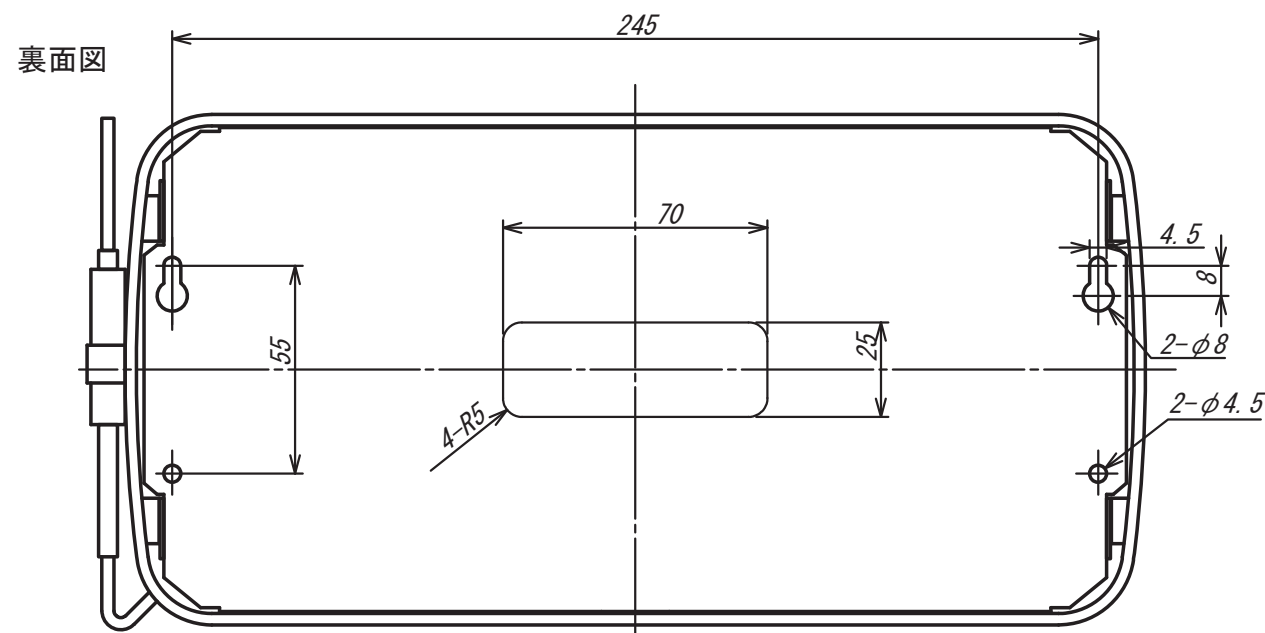
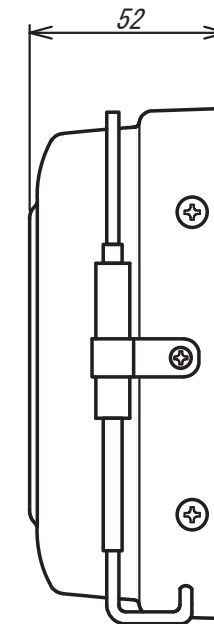
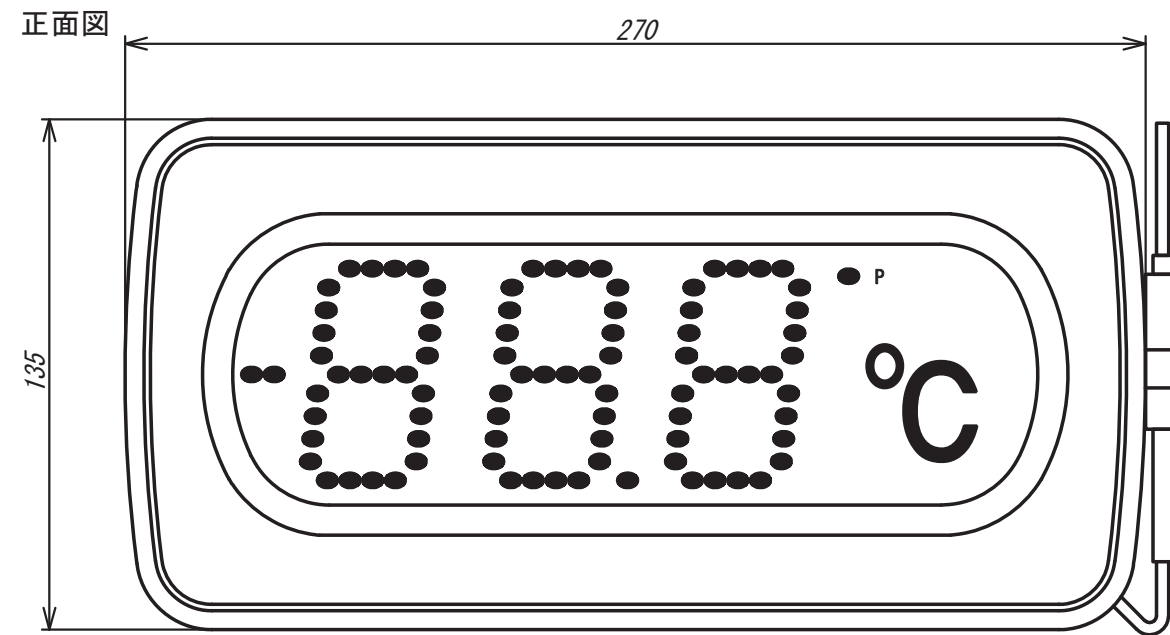
REVISED	DATE	2020/08/18	APPROVED BY	TITLE	4027-11-61
	SCALE		CHECKED BY	4027-12-61	外形図
	DESIGNED BY	N. Tsuruga	DRAWN BY	N. Tsuruga	DRAWING No.
	TSURUGA ELECTRIC CORPORATION			FC-01745	4/6

(吊り下げ取付 Ptセンサー体形)



REVISED	DATE	2020/08/18	APPROVED BY		TITLE	4027-11-62
	SCALE		CHECKED BY		4027-12-62	外形図
	DESIGNED BY	N. Tsuruga	DRAWN BY	N. Tsuruga	DRAWING No.	FC-01745
	TSURUGA ELECTRIC CORPORATION					5/6

(壁面張り付け取付 Ptセンサー体形)



REVISED	DATE	2020/08/18	APPROVED BY		TITLE	4027-11-63
	SCALE		CHECKED BY		4027-12-63	外形図
	DESIGNED BY	N. Tsuruga	DRAWN BY	N. Tsuruga	DRAWING No.	FC-01745
	TSURUGA ELECTRIC CORPORATION					6/6