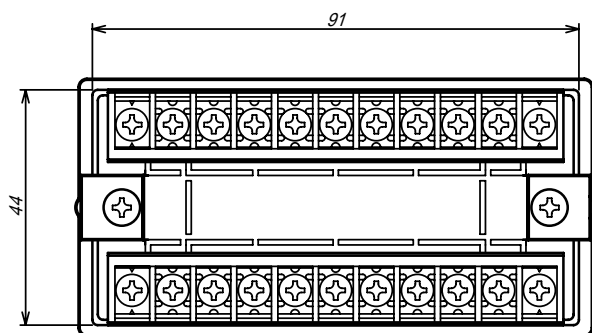
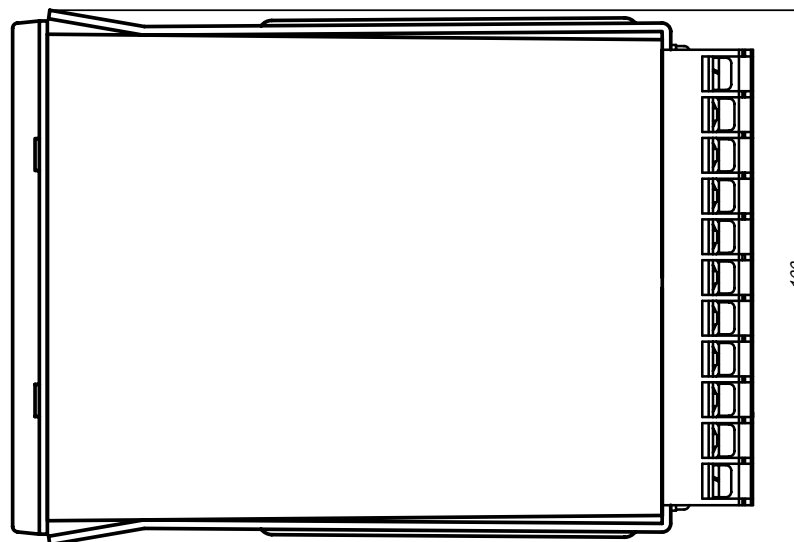


Rear



Bottom

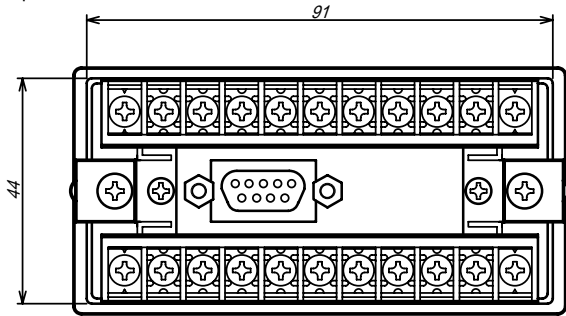


Panel cut-out dimension $92^{+0.8} \times 45^{+0.6}$
Terminal screws : M3

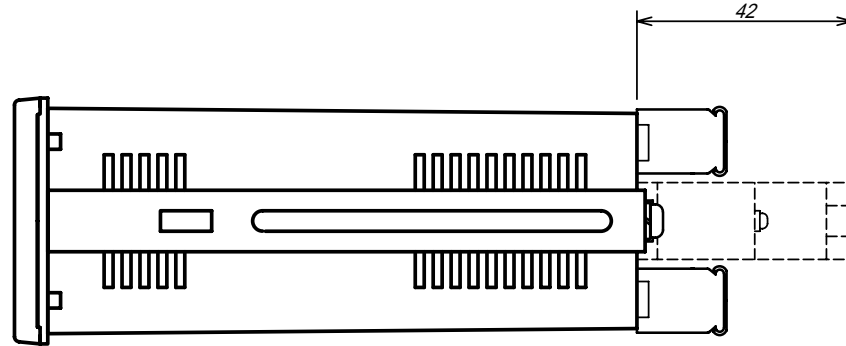
TSURUGA ELECTRIC CORPORATION. All rights reserved.

REVISED	DATE	Nov. 20, 2002	APPROVED BY	TITLE
	SCALE		CHECKED BY	
	DESIGNED BY		DRAWN BY	DRAWING No.
	TSURUGA ELECTRIC CORPORATION			FC-01189

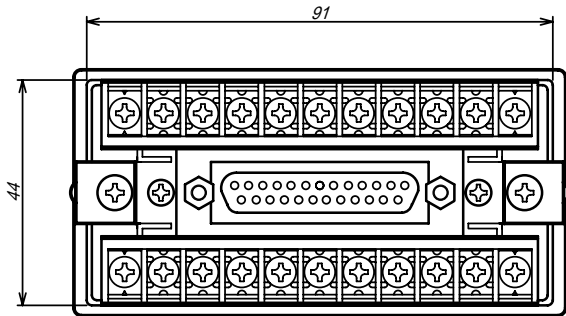
Analog output
Rear



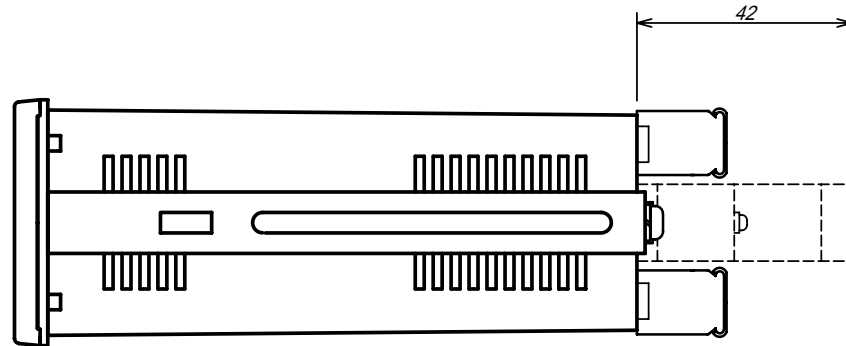
Side



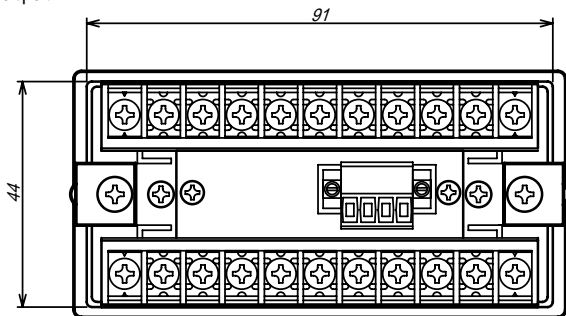
BCD output
Rear



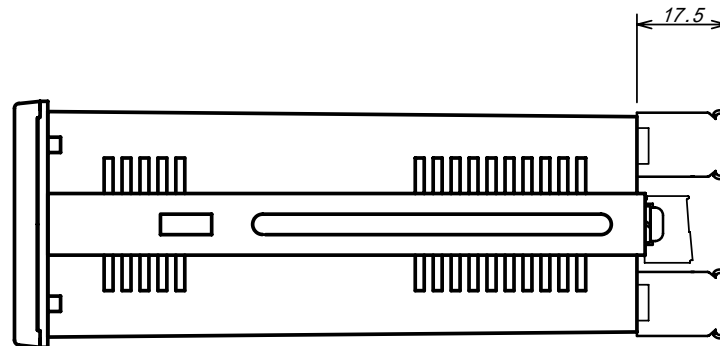
Side



RS-485 output
Rear



Side



TSURUGA ELECTRIC CORPORATION. All rights reserved.

REVISED	DATE	Nov. 20, 2002	APPROVED BY	TITLE 4 2 5 8
	SCALE		CHECKED BY	
	DESIGNED BY		DRAWN BY	
	TSURUGA ELECTRIC CORPORATION			
				2/2