

PANEL CUTOUT : $92^{+0.8}_0 \times 92^{+0.8}_0$

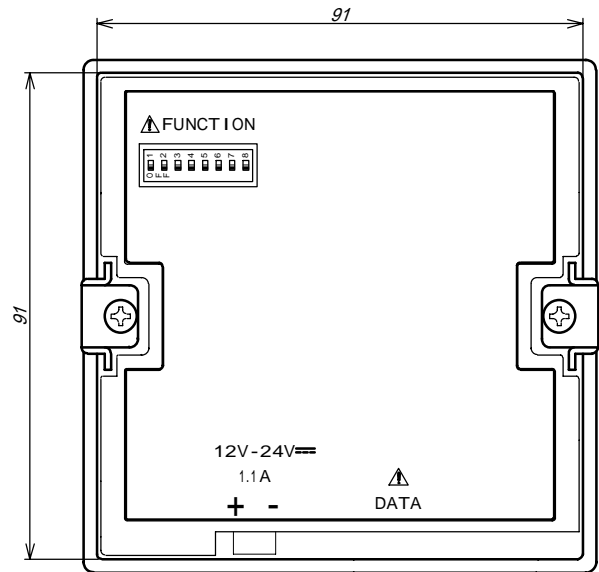
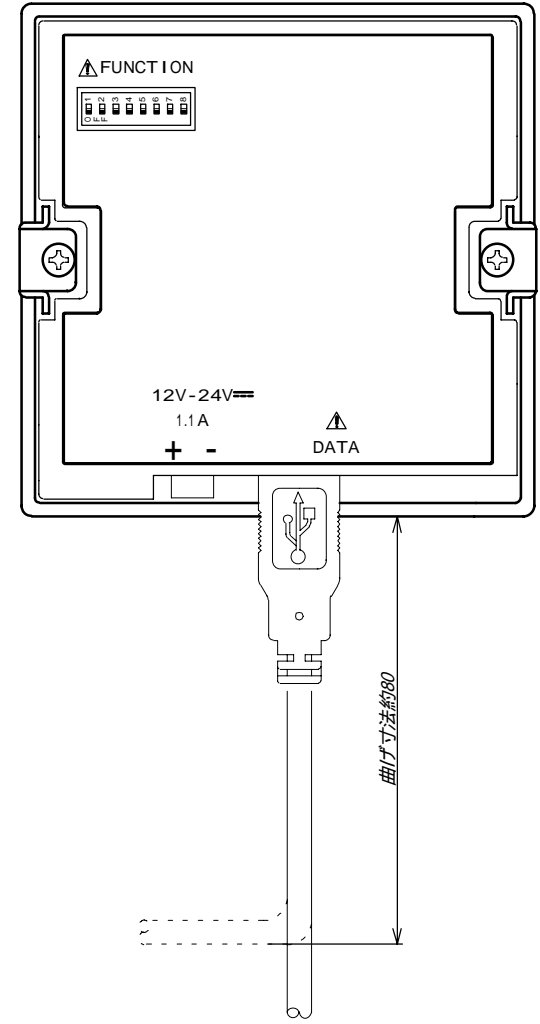
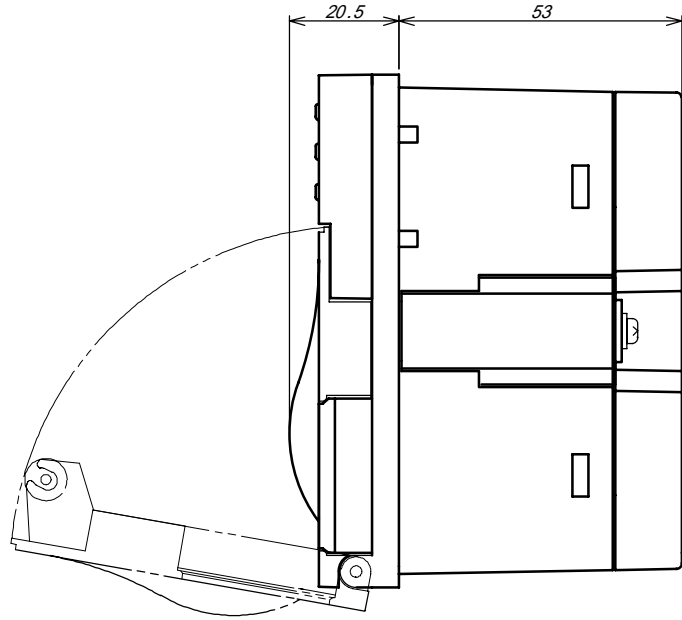
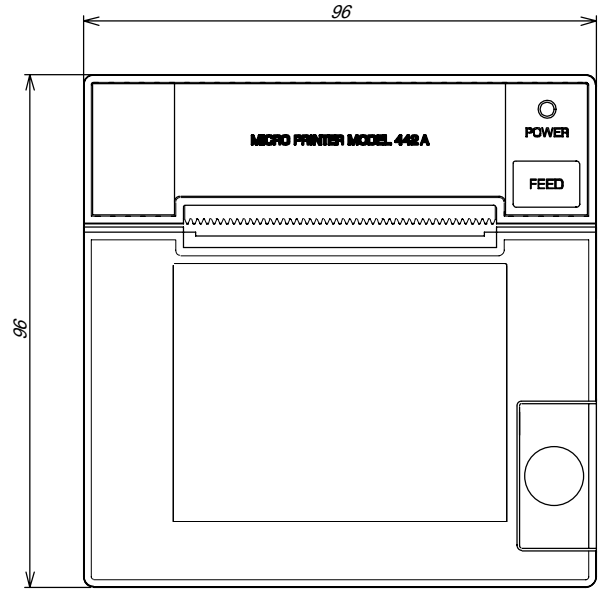
TERMINAL SCREW : M3 SCREW

UNIT mm

TSURUGA ELECTRIC CORPORATION. All rights reserved.

REVISED	DATE	Jun. 15. 2007	APPROVED BY	TITLE
	SCALE		CHECKED BY	
	DESIGNED BY		DRAWN BY	DRAWING No.
	TSURUGA ELECTRIC CORPORATION			FC-01323-

442A-E2



PANEL CUTOUT : $92^{+0.8} \times 92^{+0.8}$
 TERMINAL SCREW : M3 SCREW
 UNIT mm

TSURUGA ELECTRIC CORPORATION . All rights reserved .

REVISED	DATE	Jun. 15. 2007	APPROVED BY	TITLE	442A-E2
	SCALE		CHECKED BY		
	DESIGNED BY		DRAWN BY	DRAWING No.	FC-01323- 2/2
	TSURUGA ELECTRIC CORPORATION				