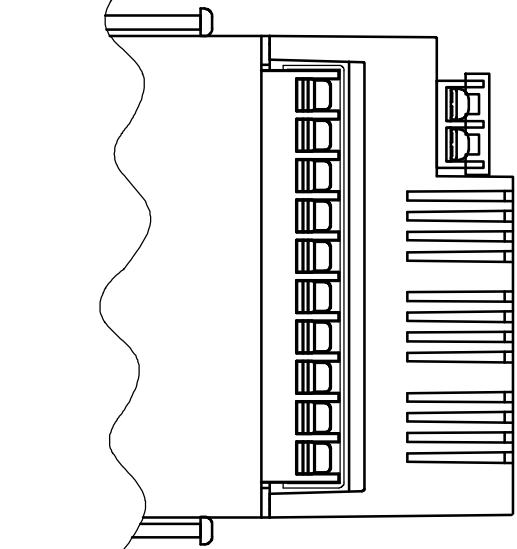
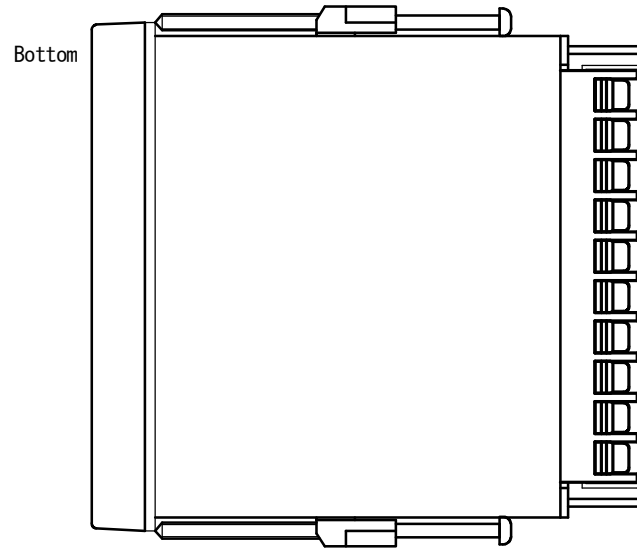
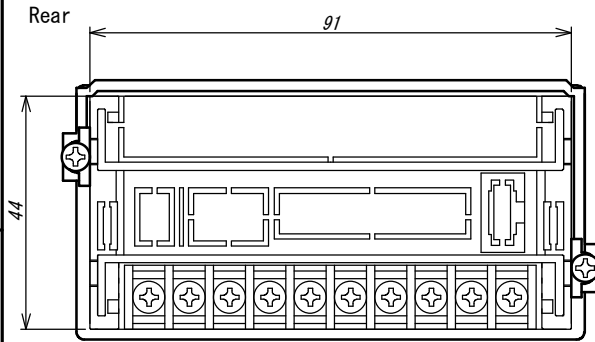
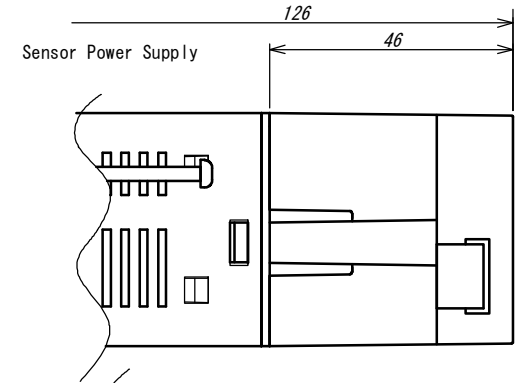
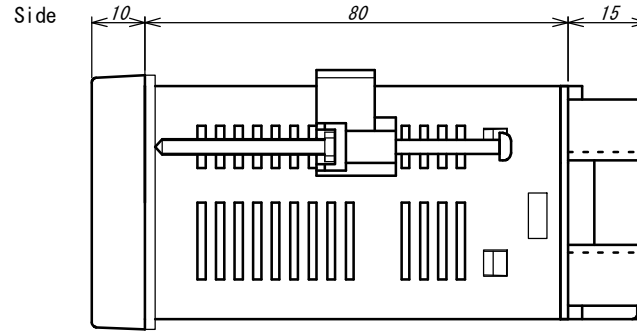
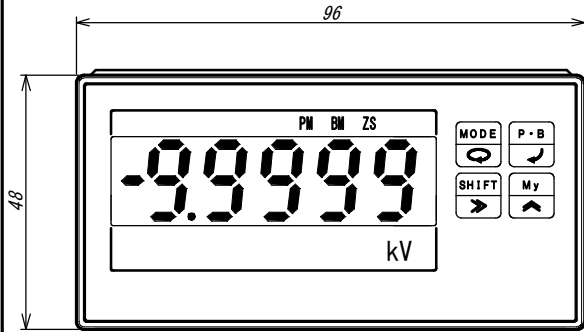
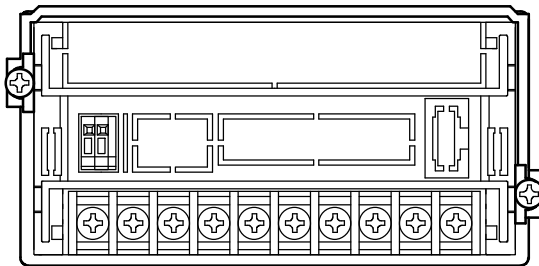


FC-01484

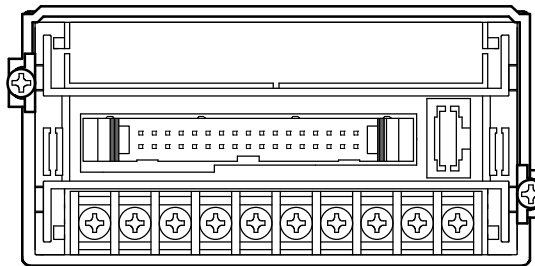
DRAWING No.



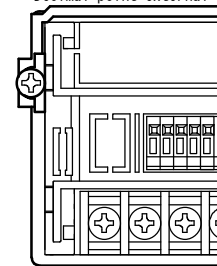
ANALOG



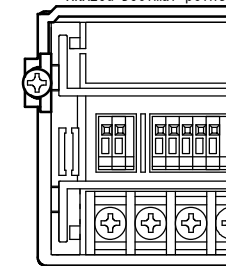
BCD



RS-232C, RS-485,  
Decimal point external control



ANALOG+RS-232C, ANALOG+RS-485,  
ANALOG+Decimal point external control



Panel cut-out dimension  $92^{+0.8} \times 45^{+0.6}$   
Terminal screws : M3

TSURUGA ELECTRIC CORPORATION . All Right Reserved .

REVISED	DATE	May 8, 2010	APPROVED BY	TITLE
	SCALE		CHECKED BY	451A DPM
	DESIGNED BY	H. Matsunami	DRAWN BY	H. Matsunami
	TSURUGA ELECTRIC CORPORATION			DRAWING No.