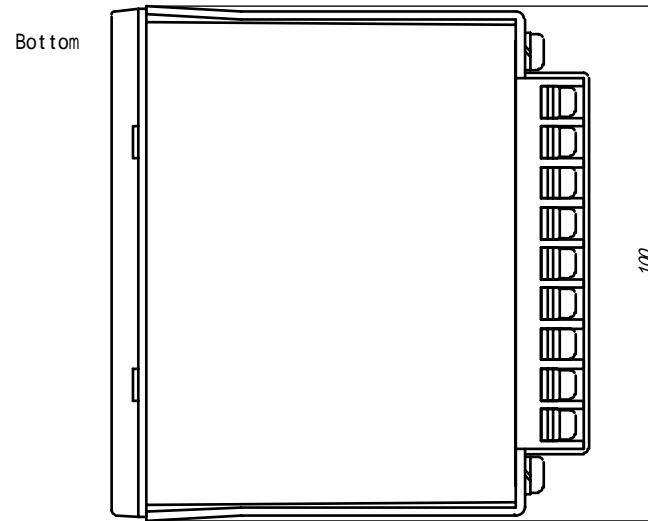
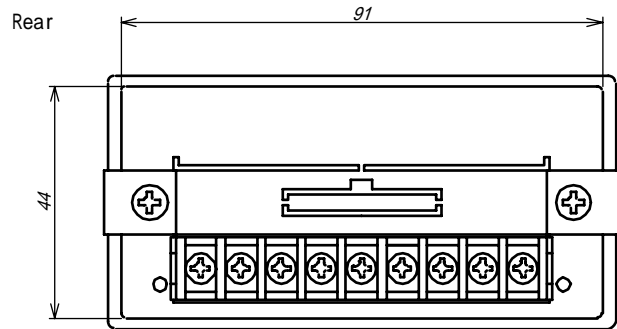
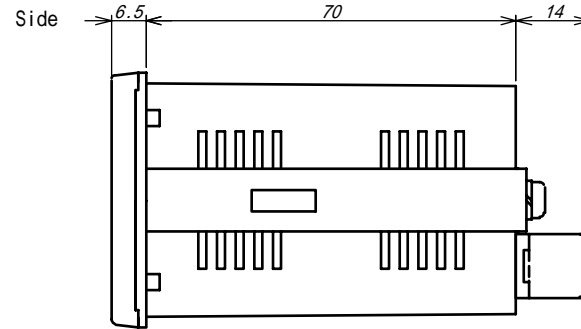
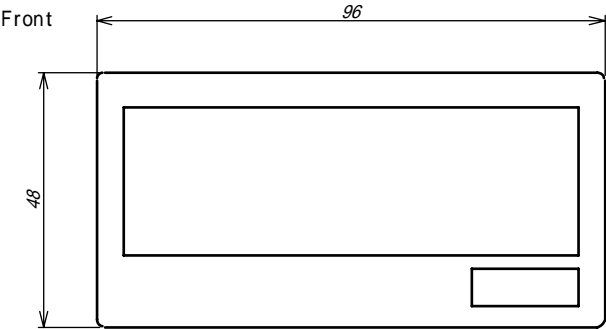


FC-01284



Panel cut-out dimension $92^{+0.8}_0 \times 45^{+0.6}_0$
Terminal screws : M3

TSURUGA ELECTRIC CORPORATION. All right.reserved.

REVISED	DATE	Jul. 25, 2005	APPROVED BY	TITLE	
	SCALE		CHECKED BY		4 8 1 B
	DESIGNED BY	S. Mayumi	DRAWN BY	S. Mayumi	DRAWING No.
	TSURUGA ELECTRIC CORPORATION			FC-01284	