

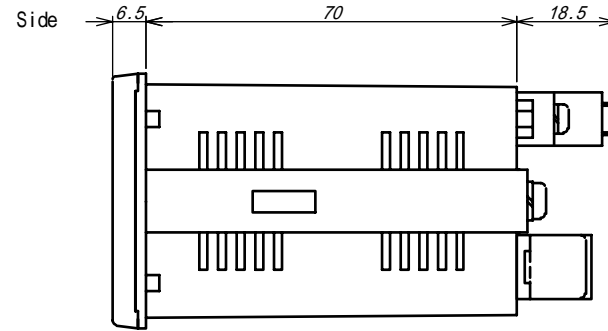
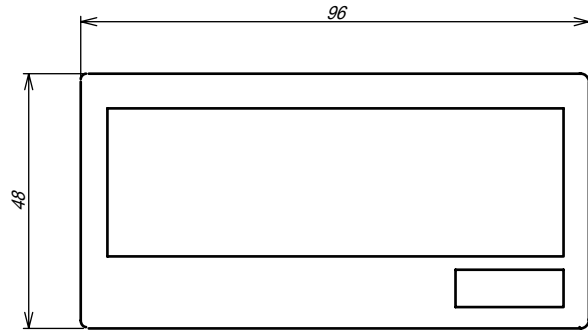
Panel cut-out dimension $92^{+0.8} \times 45^{+0.6}$
Terminal screws : M3

TSURUGA ELECTRIC CORPORATION. All right.reserved.

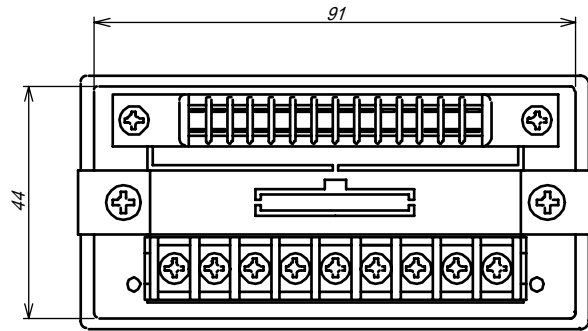
REVISED	DATE	Jul. 25, 2005	APPROVED BY	TITLE	
	SCALE		CHECKED BY		481C
	DESIGNED BY	S. Mayumi	DRAWN BY	S. Mayumi	DRAWING No.
	TSURUGA ELECTRIC CORPORATION			FC-01286	

TYPE - B
TYPE - D

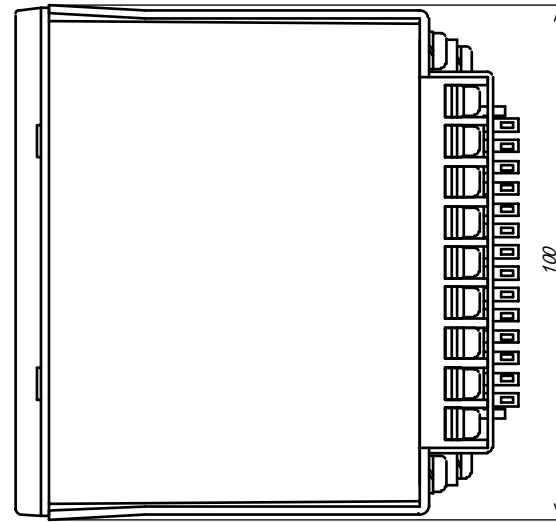
Front



Rear

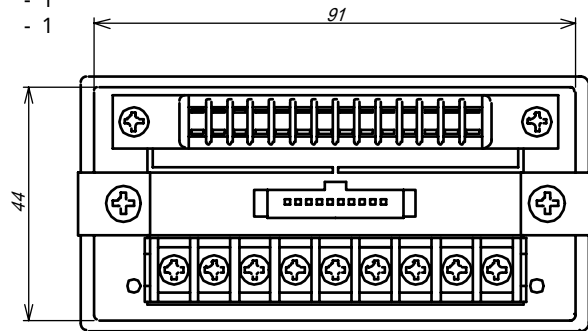


Bottom

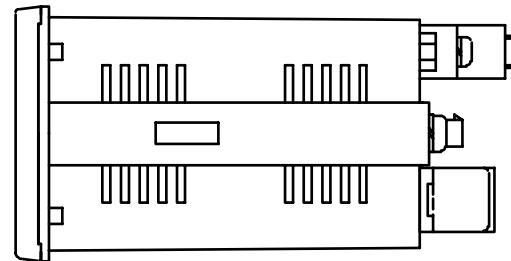


TYPE - B - 1
TYPE - D - 1

Rear



Side



REVISED	DATE	Jul. 25, 2005	APPROVED BY	TITLE	4 8 1 C	
	SCALE		CHECKED BY			
	DESIGNED BY	S. Mayumi	DRAWN BY	S. Mayumi	DRAWING No.	2/2
	TSURUGA ELECTRIC CORPORATION			FC-01286		