

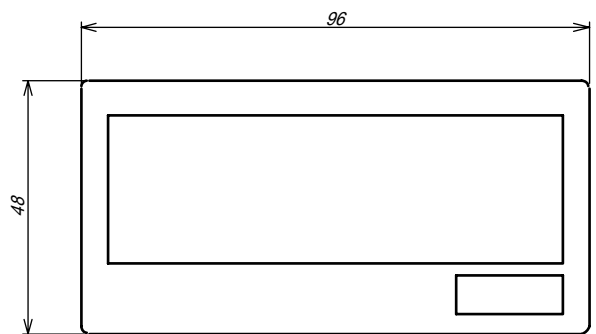
Panel cut-out dimension $92^{+0.8} \times 45^{+0.6}$
Terminal screws : M3

TSURUGA ELECTRIC CORPORATION. All right.reserved.

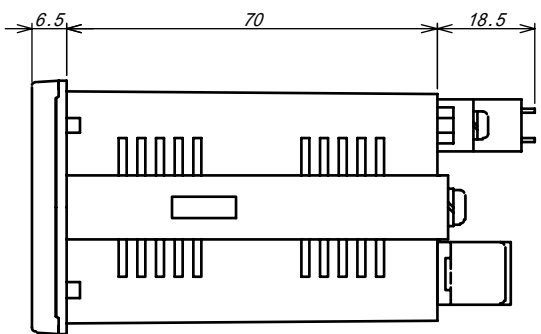
REVISED	DATE	Jul. 25, 2005	APPROVED BY	TITLE	
	SCALE		CHECKED BY		4 8 2 F
	DESIGNED BY	S. Mayumi	DRAWN BY	S. Mayumi	DRAWING No.
	TSURUGA ELECTRIC CORPORATION				FC-01288

TYPE - B
TYPE - D

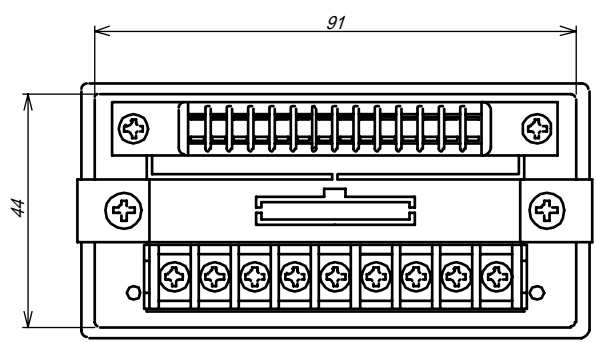
Front



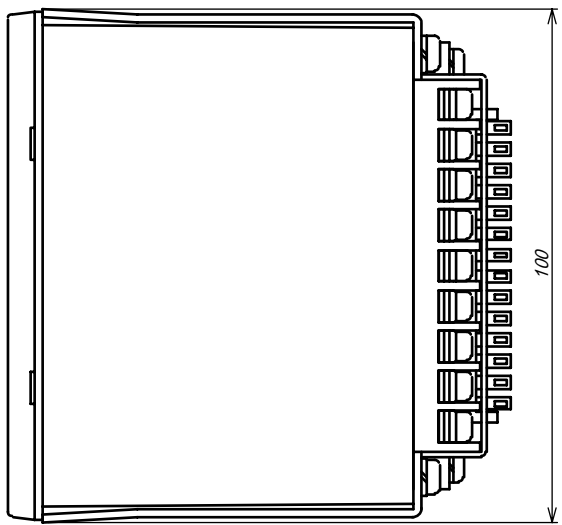
Side



Rear

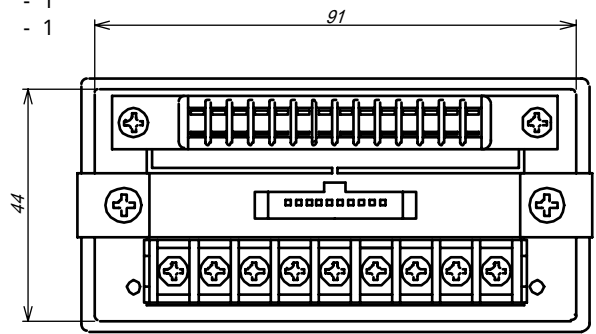


Bottom

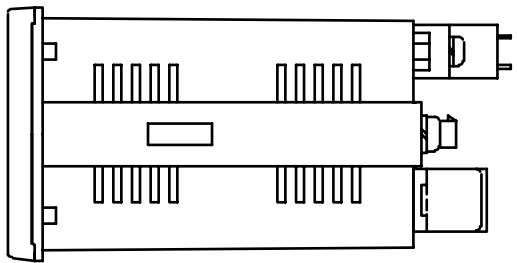


TYPE - B - 1
TYPE - D - 1

Rear



Side



TSURUGA ELECTRIC CORPORATION. All right.reserved.

REVISED	DATE	APPROVED BY	TITLE
	Jul. 25, 2005		
	SCALE	CHECKED BY	DRAWING No.
DESIGNED BY	DRAWN BY	TSURUGA ELECTRIC CORPORATION	
	S. Mayumi	S. Mayumi	2/2