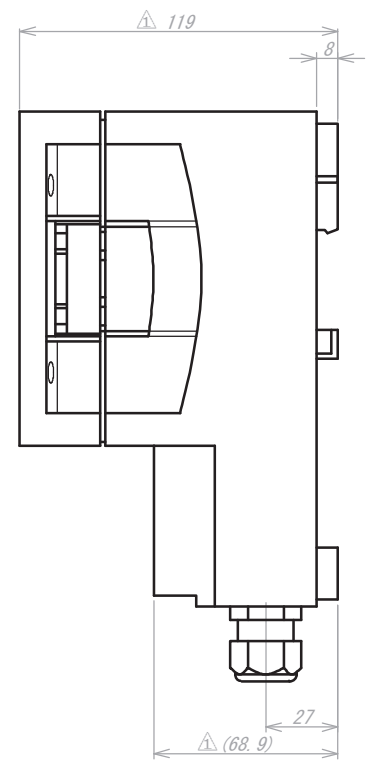
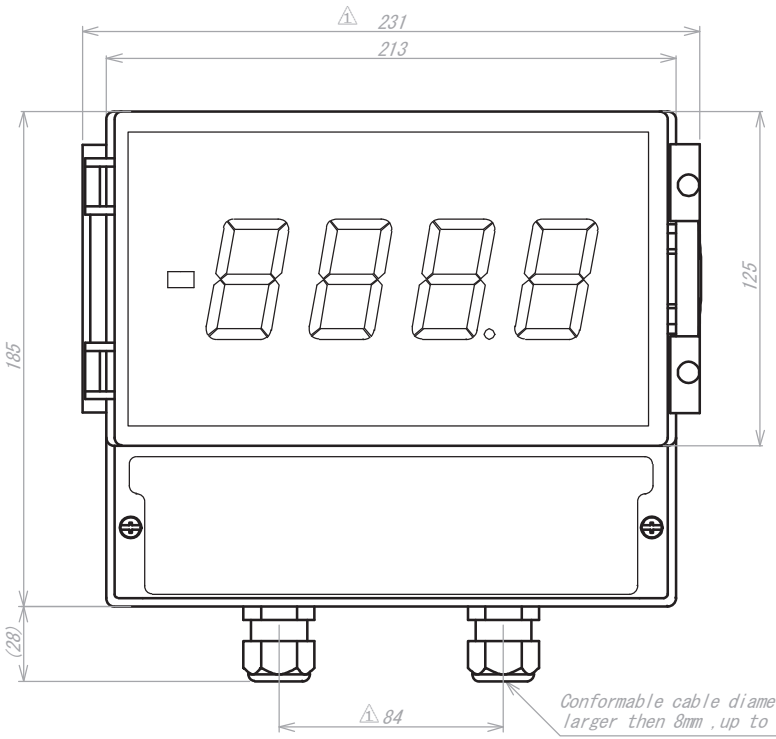
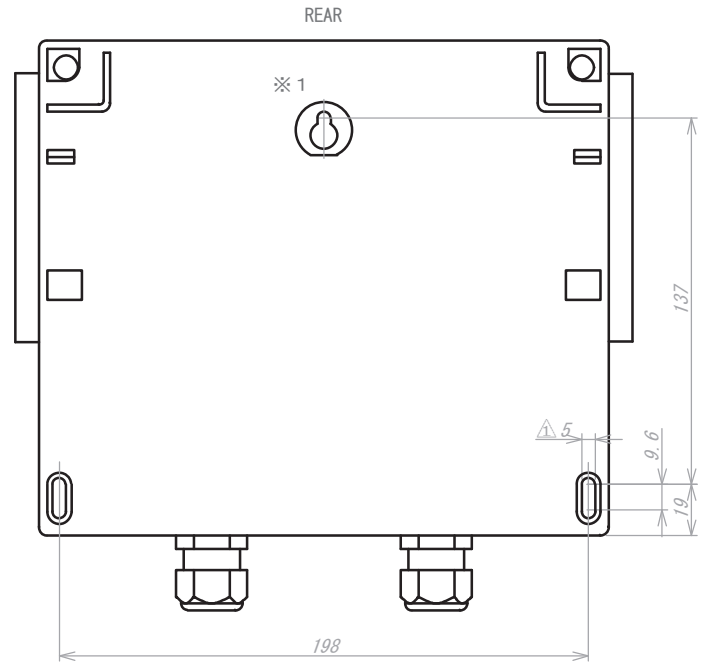
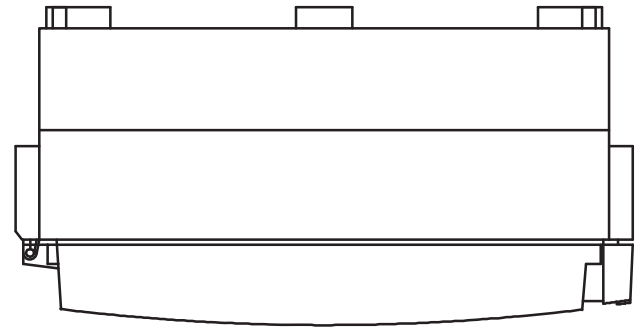
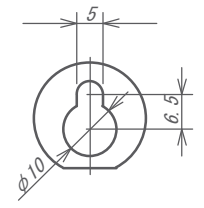


※1 詳細図 (1:1)



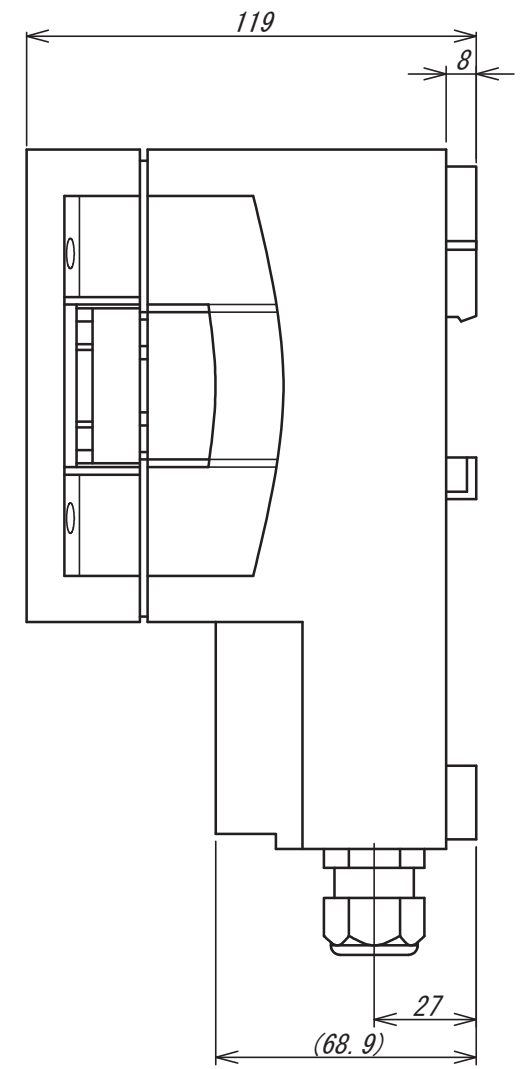
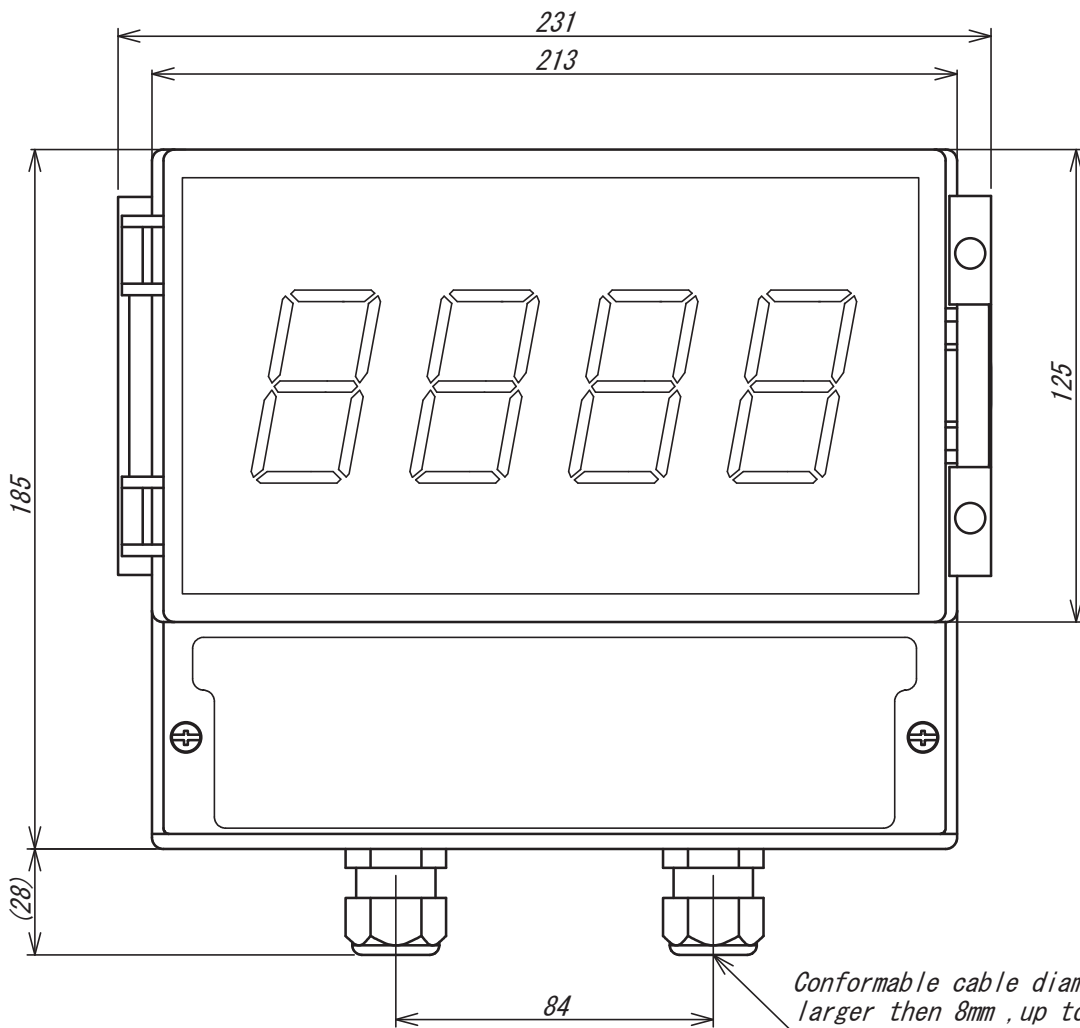
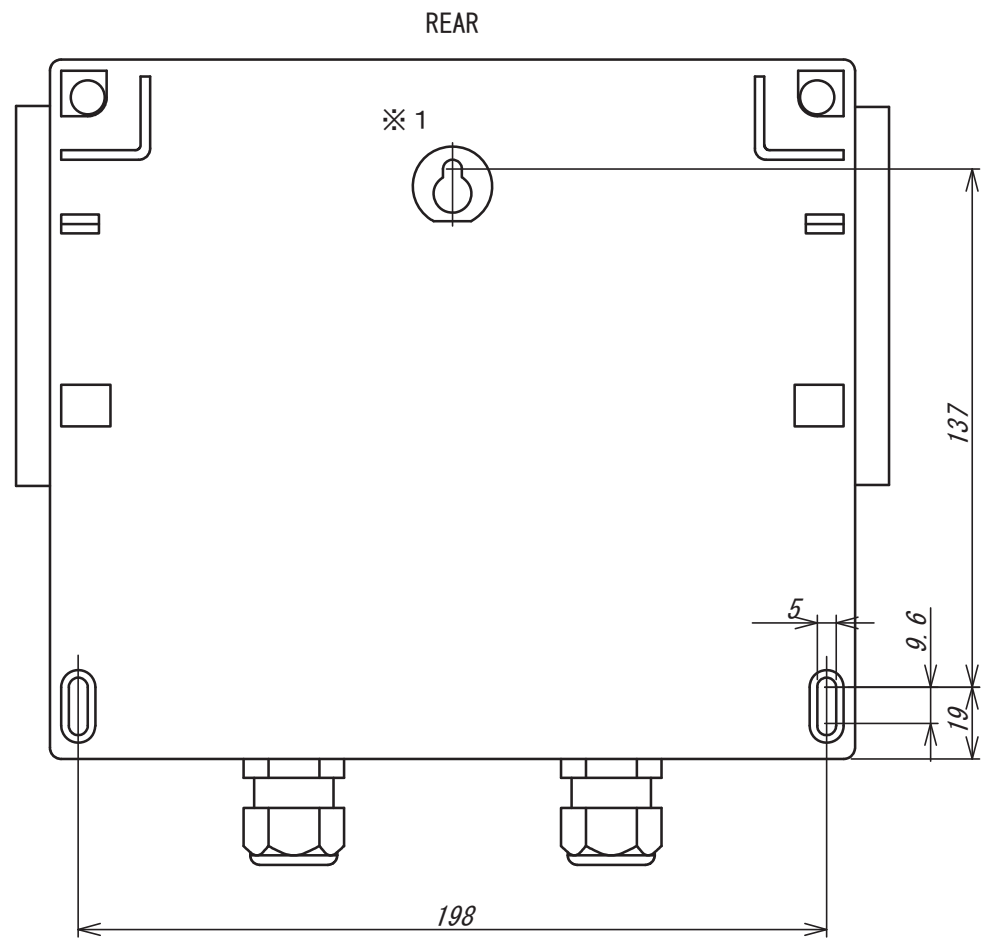
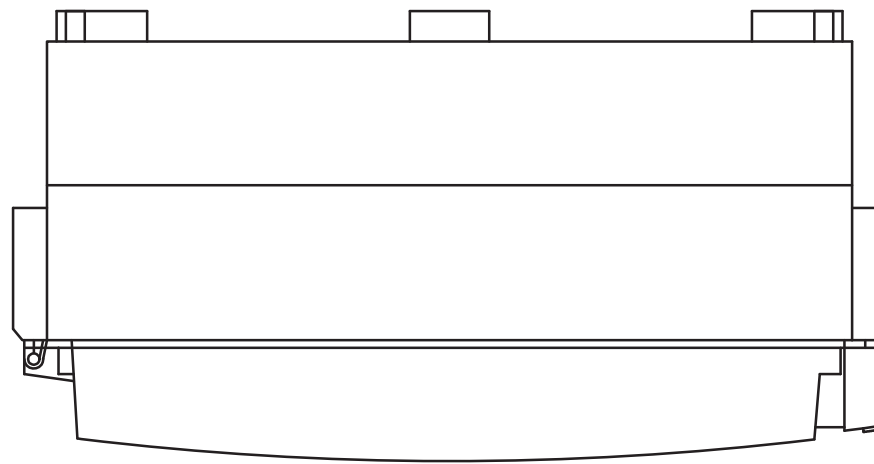
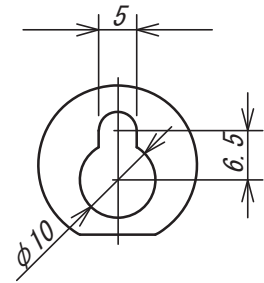
Conformable cable diameter  
larger than 8mm, up to 13mm  
適合ケーブル径 φ8~φ13

TSURUGA ELECTRIC CORPORATION. All Rights Reserved.

REVISED	DATE	Jan. 18. 2011	APPROVED BY	TITLE
	SCALE		CHECKED BY	防水・防塵形表示器 F-3153B
	DESIGNED BY	H. Matsunami	DRAWN BY	H. Matsunami
	TSURUGA ELECTRIC CORPORATION			DRAWING No. FC-01511-1

Mar. 24. 2014 ケース変更による寸法変更 林

※1 Details (1:1)  
詳細図



REVISED	DATE	2021/03/25	APPROVED BY	TITLE
	CHECKED BY			Waterproof & Dust Display 防水・防塵形表示器
	SCALE		DRAWN BY	F-3155D
	TSURUGA ELECTRIC CORPORATION			DRAWING No. FC-01753