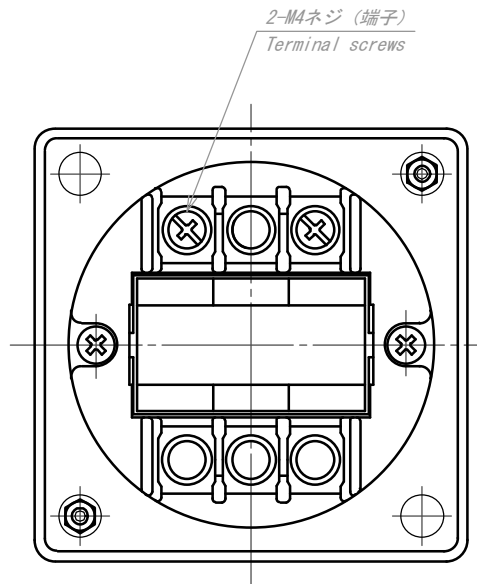
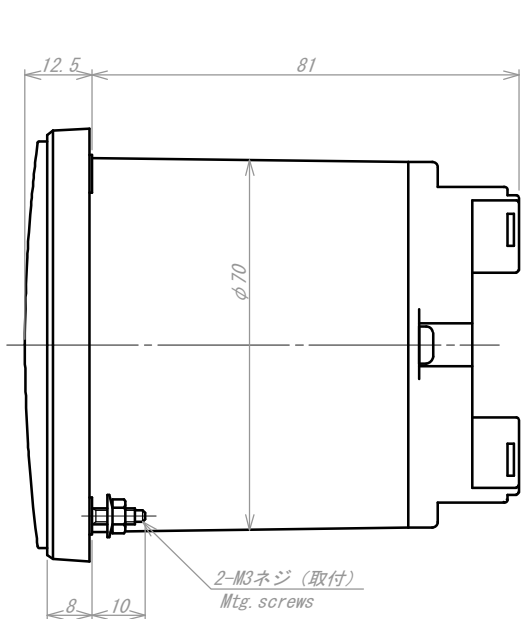
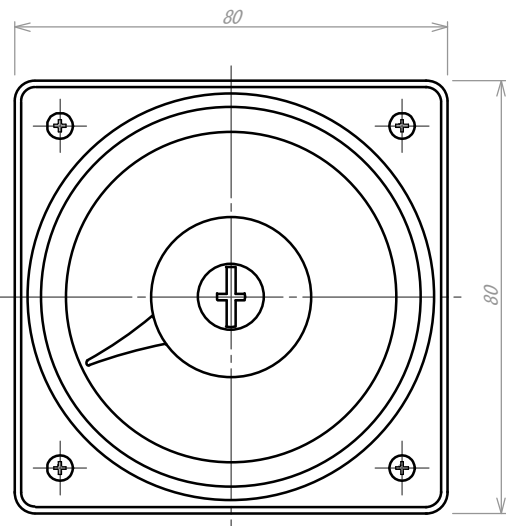


FC-01630

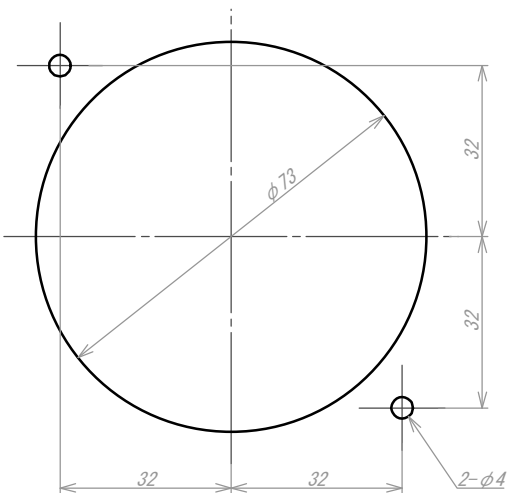
DRAWING No.



2-M4ネジ (端子)
Terminal screws

2-M3ネジ (取付)
Mtg. screws

パネルカット寸法
PANEL CUT-OUT

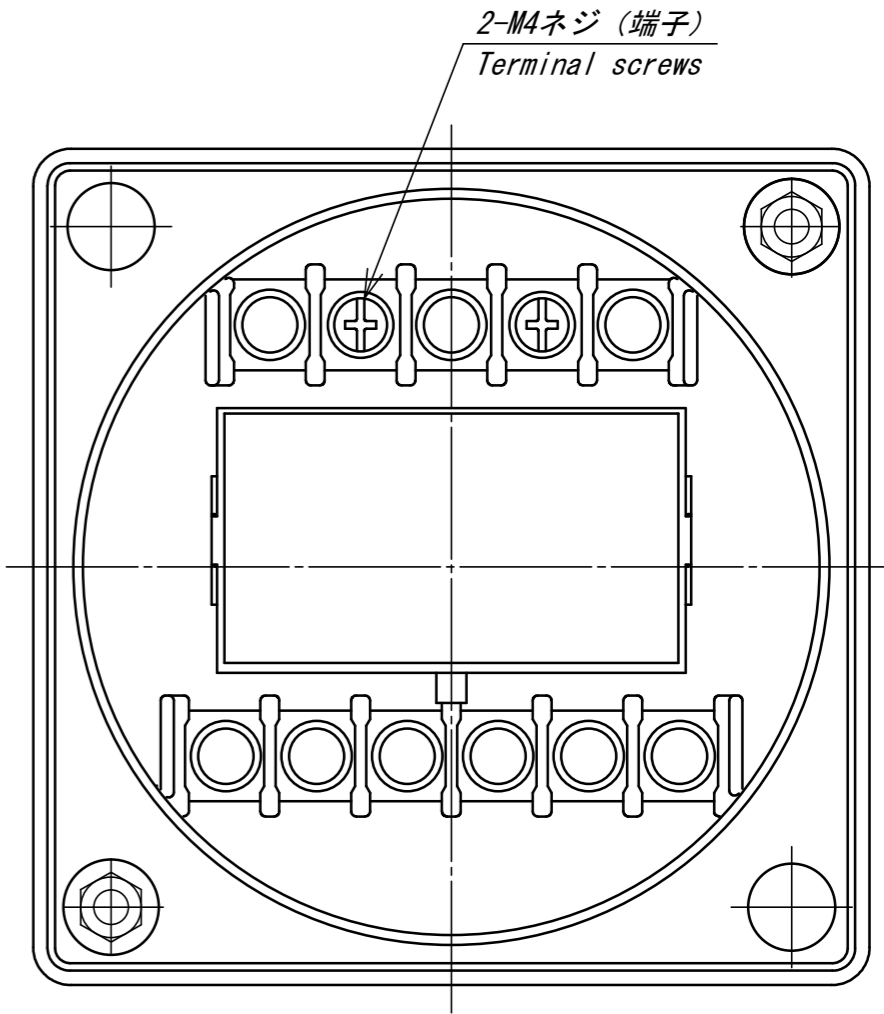
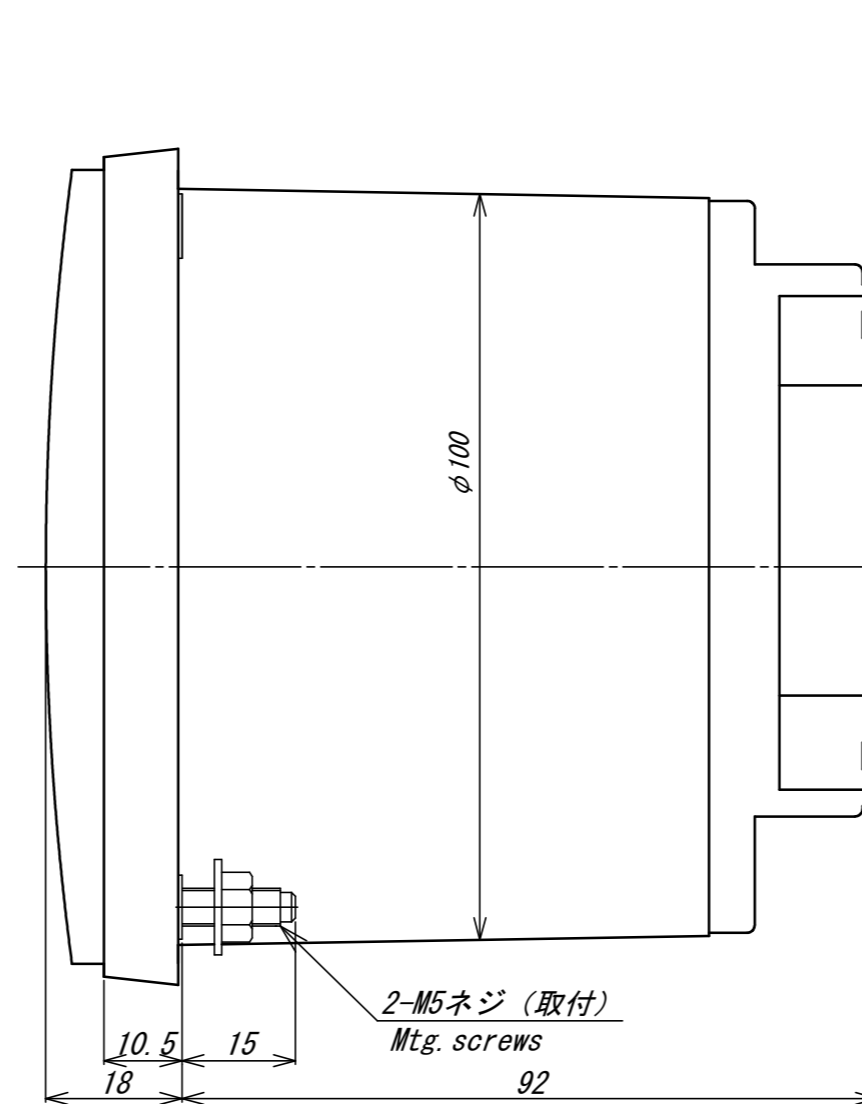
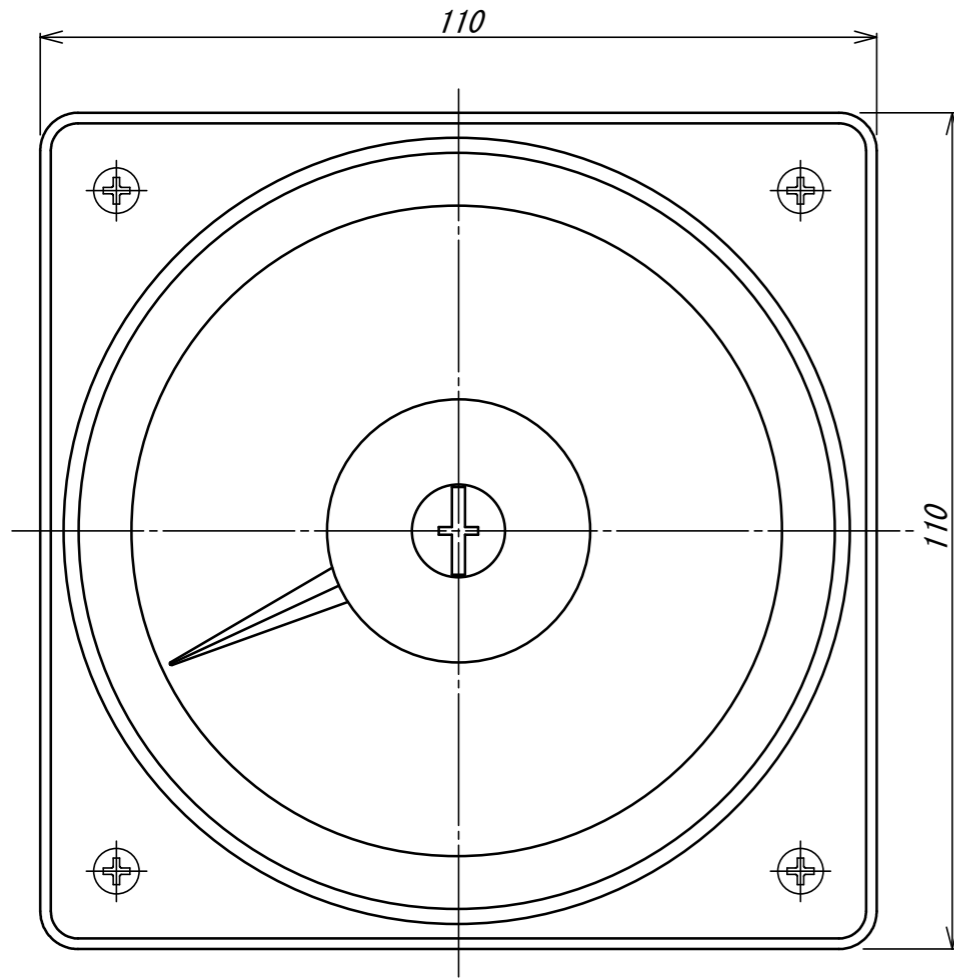


TSURUGA ELECTRIC CORPORATION. All rights reserved.

REVISED	DATE	Nov. 20, 2013	APPROVED BY	TITILE
	SCALE		CHECKED BY	T□W-80
	DESIGNED BY		DRAWN BY	DRAWING No.
	TSURUGA ELECTRIC CORPORATION			FC-01630

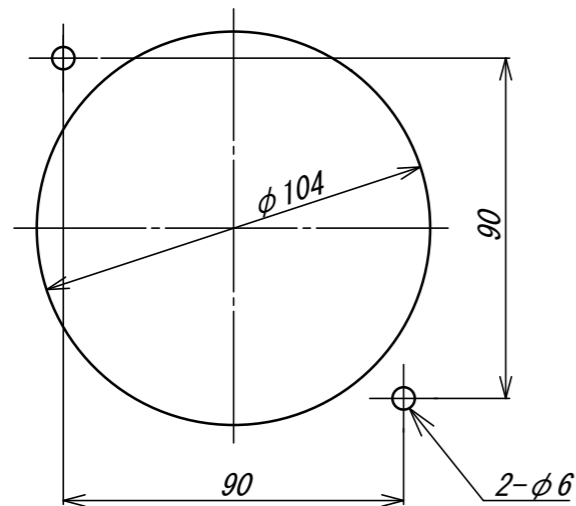
FC-01721

DRAWING No.



パネルカット寸法 : (1/2)

PANEL CUT-OUT : (1/2)



REVISED	DATE	Oct. 3, 2018	APPROVED BY	TITLE
	SCALE	1 : 1	CHECKED BY	T□W-110DA/AA
	DESIGNED BY		DRAWN BY	DRAWING No.
	TSURUGA ELECTRIC CORPORATION			FC-01721