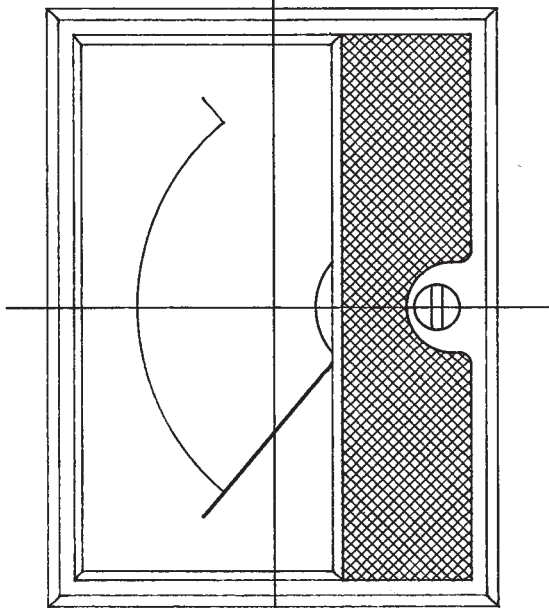
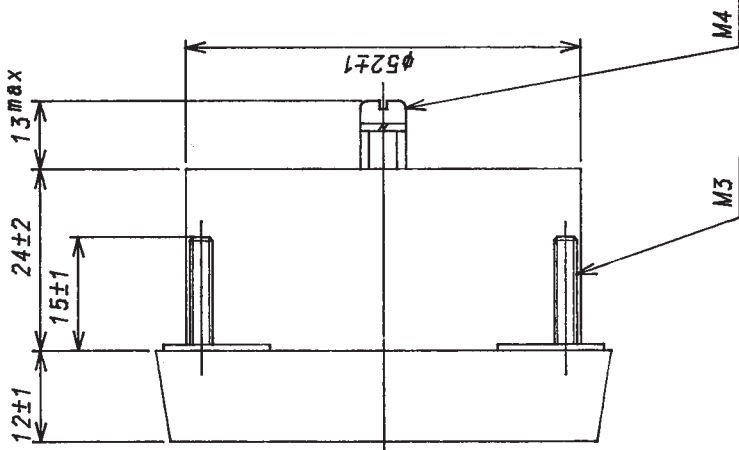
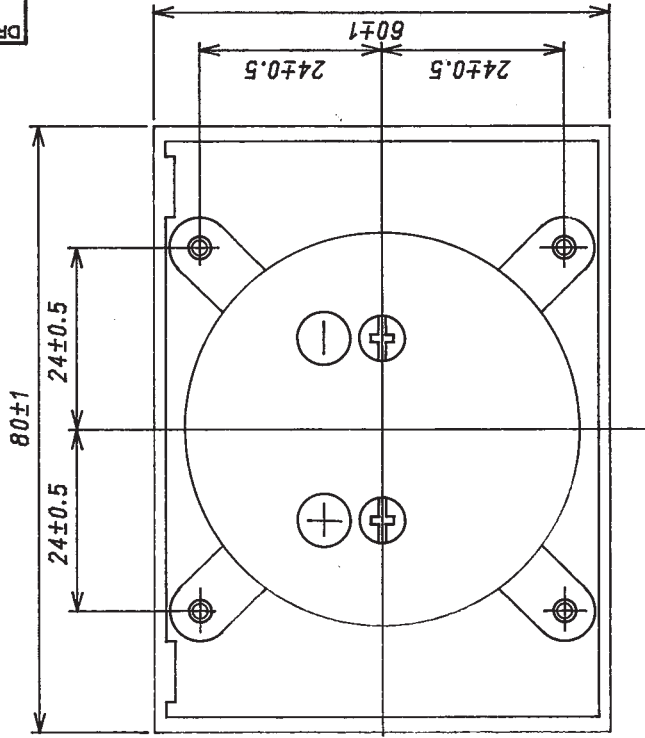


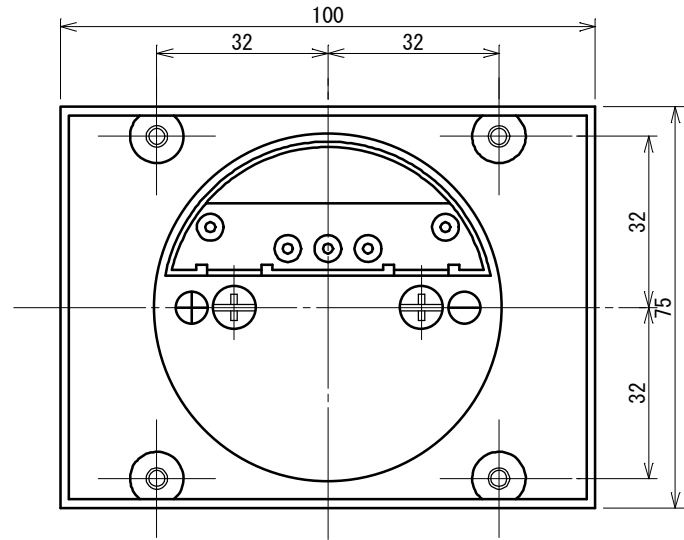
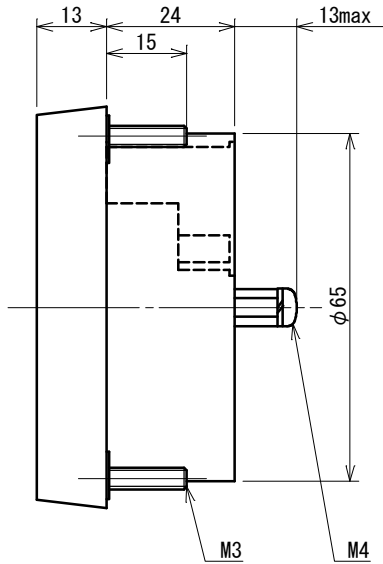
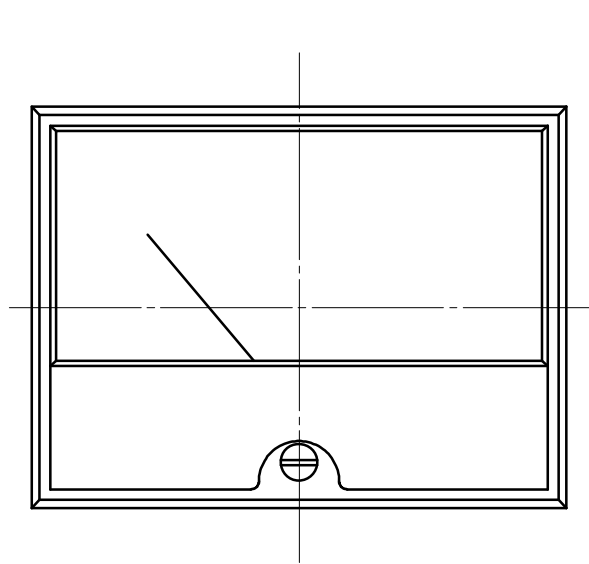
FB-00201

DRAWING NO.

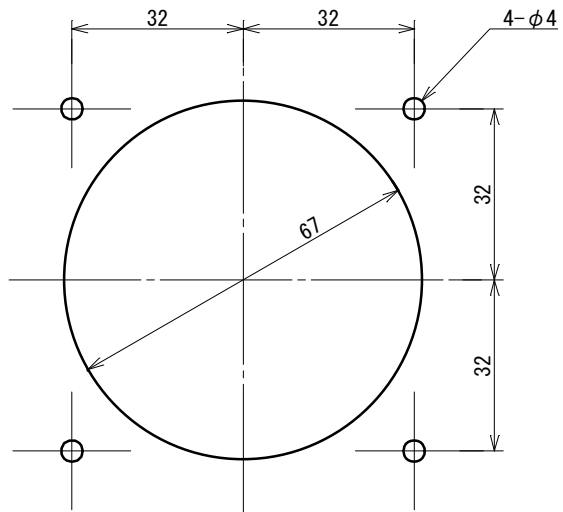


TSURUGA ELECTRIC CORPORATION. All rights reserved.

REVISED	DATE	APPROVED BY	TITLE
	Feb.25.1991	H. Hayashi	TOR-2B
	SCALE	CHECKED BY	DRAWING NO.
	1 : 1	S. Chano	FB-00201
DESIGNED BY	DRAWN BY	TSURUGA ELECTRIC WORKS, LTD.	
	M. Ogura		

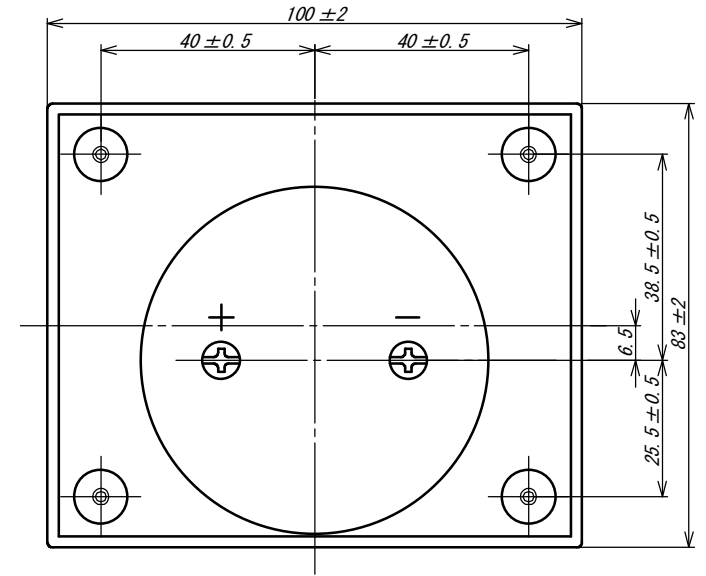
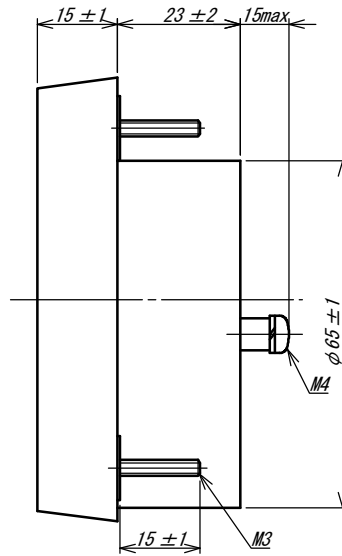
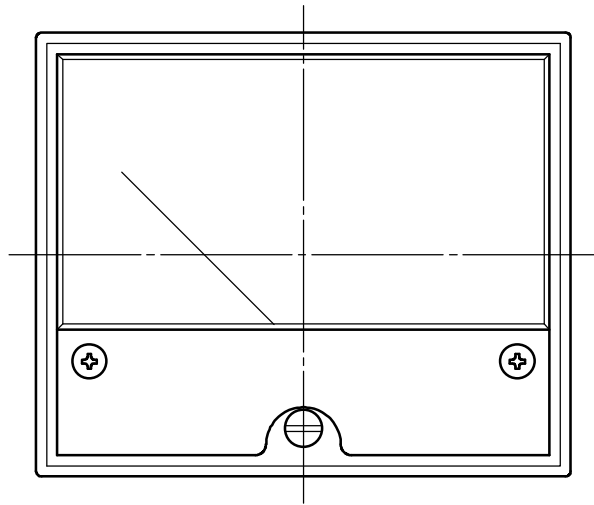


PANEL CUT-OUT

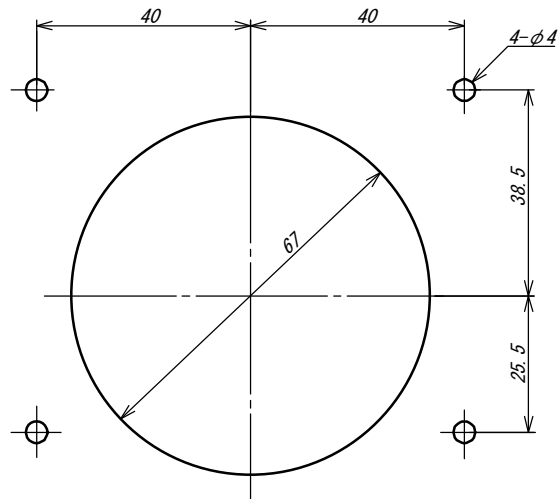


TSURUGA ELECTRIC CORPORATION. All rights reserved.

REVISED	DATE	Mar. 8, 2000	APPROVED BY	TITLE
	SCALE		CHECKED BY	TQR-25B ₁
	DESIGNED BY		DRAWN BY	DRAWING No.
	TSURUGA ELECTRIC CORPORATION			FC-01091

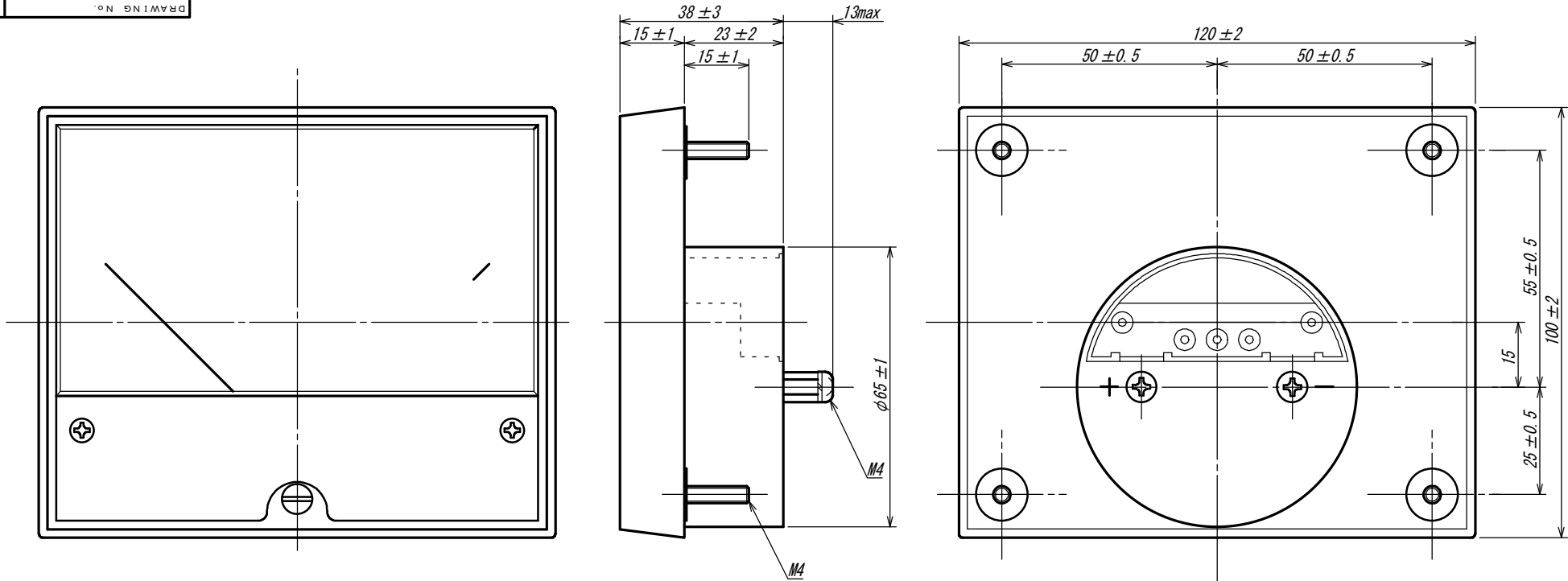


PANEL CUT-OUT

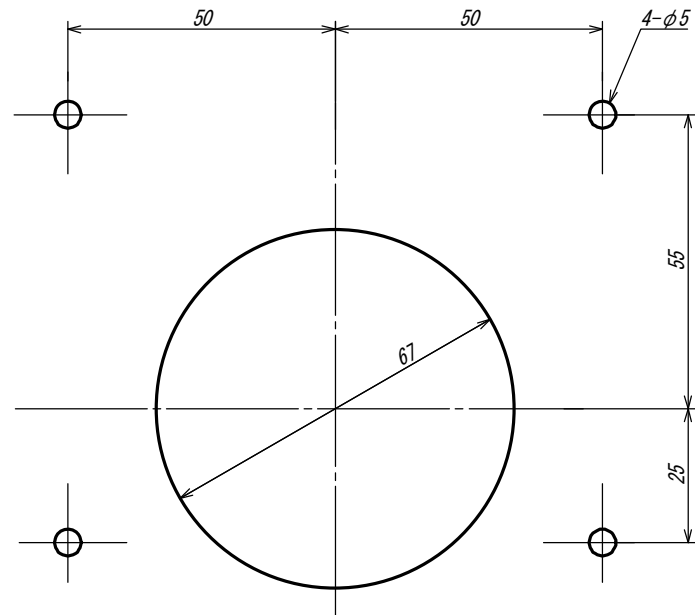


TSURUGA ELECTRIC CORPORATION. All rights reserved.

REVISED	DATE	Dec. 10. 2012	APPROVED BY	TITLE
	SCALE		CHECKED BY	T□R-25C1
	DESIGNED BY		DRAWN BY	DRAWING No.
	TSURUGA ELECTRIC CORPORATION			FC-00208-1
Dec. 12, 2012 H. Matsunami				1/1



PANEL CUTOUT DIMENSION



TSURUGA ELECTRIC CORPORATION. All rights reserved.

UNIT: mm

REVISED	DATE	APPROVED BY	TITLE
	Sep. 20, 1999		TQR-25C
	SCALE	CHECKED BY	DRAWING No.
			FC-01068
DESIGNED BY	DRAWN BY		
TSURUGA ELECTRIC CORPORATION			