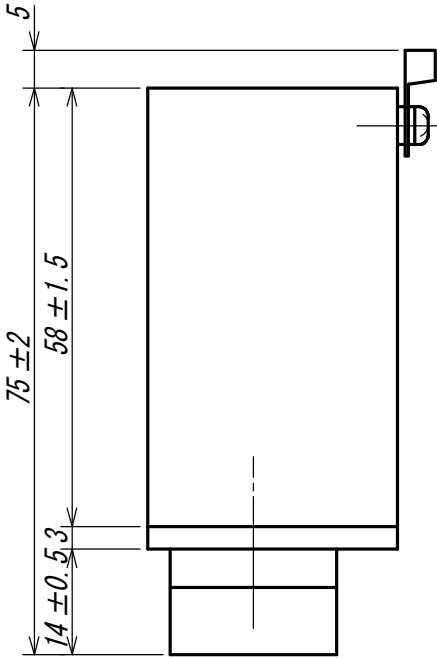


TSURUGA ELECTRIC CORPORATION. All rights reserved.

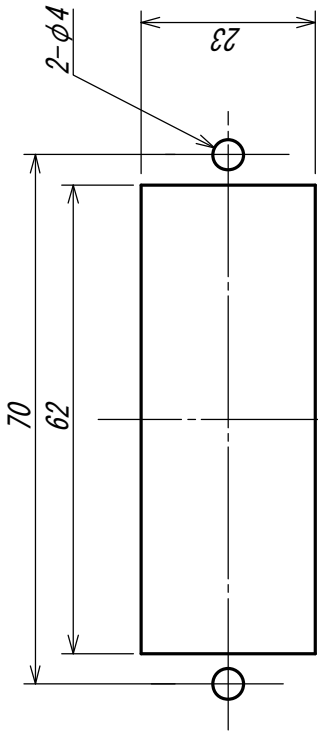
REVISED	DATE	Aug. 16, 2012	APPROVED BY	TITLE TQE-45A	
	SCALE		CHECKED BY		
	DESIGNED BY		DRAWN BY		S. Okano
	TSURUGA ELECTRIC CORPORATION				DRAWING No. FC-01586

FB-00498

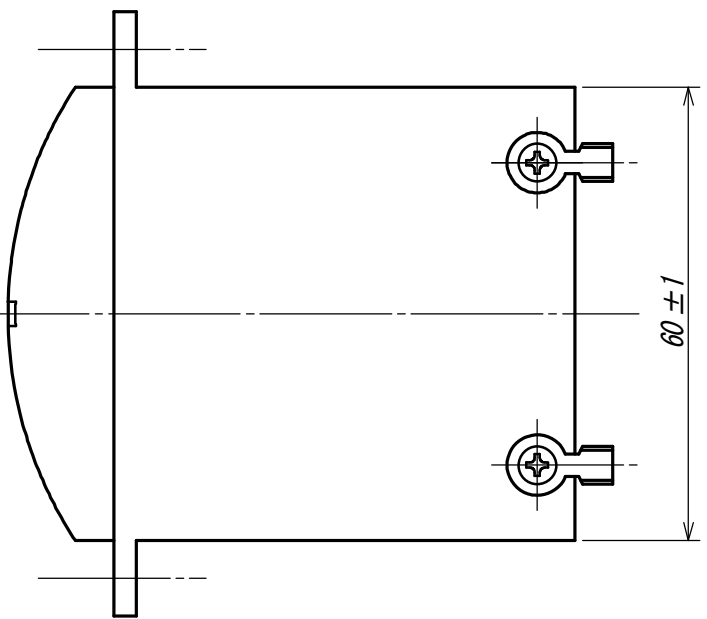
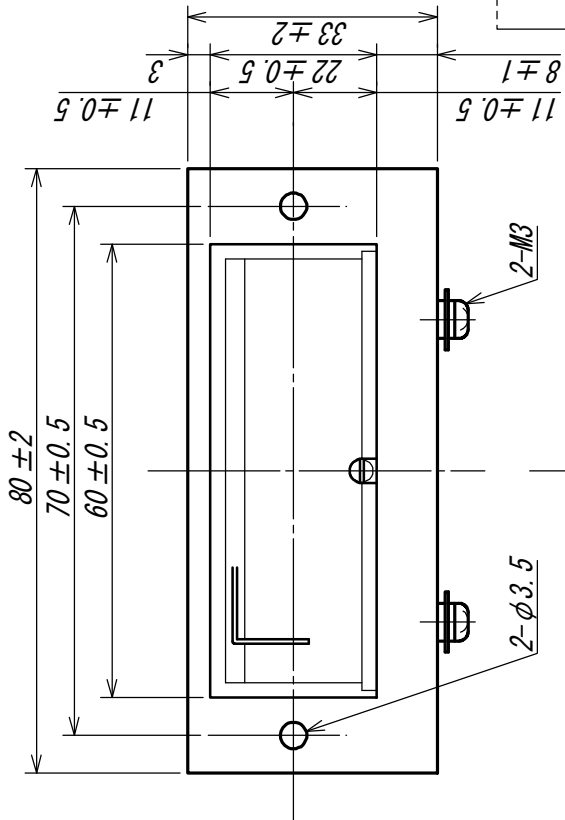
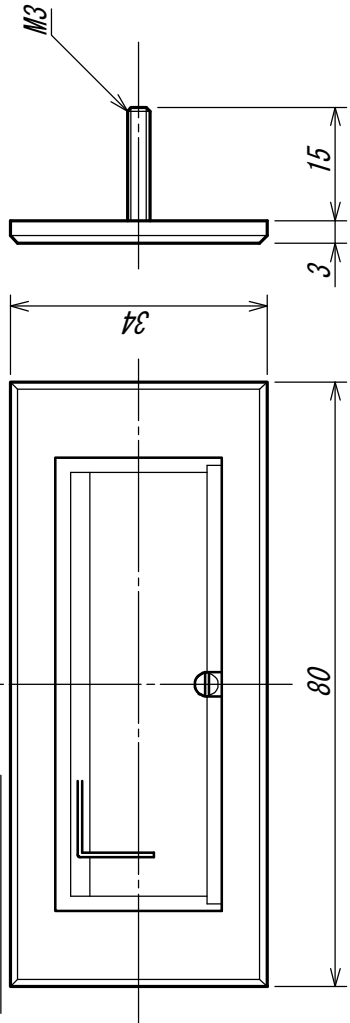
DRAWING No.



PANEL CUTOUT DIMENSION



ESCUTCHEON



TSURUGA ELECTRIC CORPORATION. All rights reserved.

REVISED

DATE *Nov. 29, 1999*

APPROVED BY

TITLE

SCALE

CHECKED BY

TME-60C

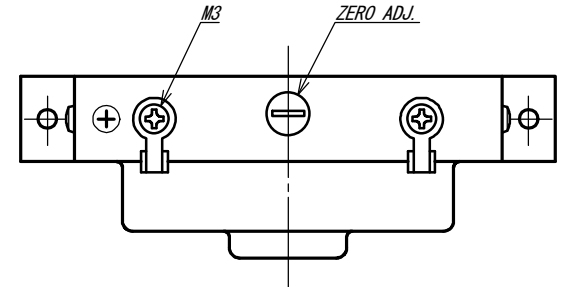
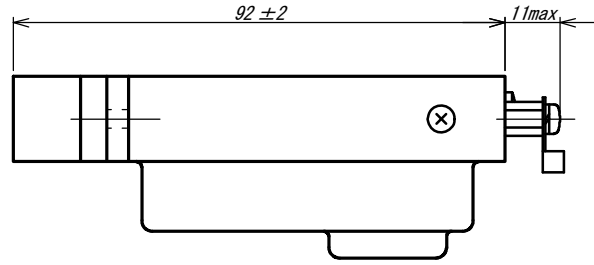
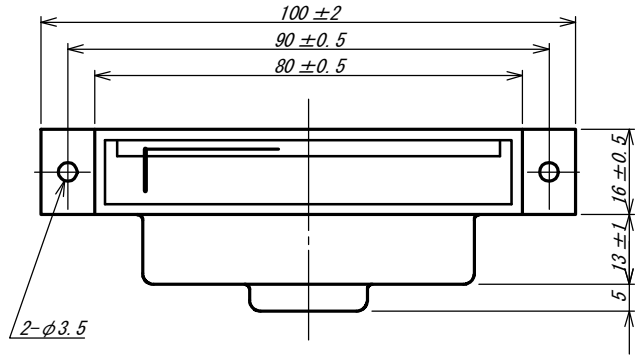
DESIGNED BY

DRAWN BY

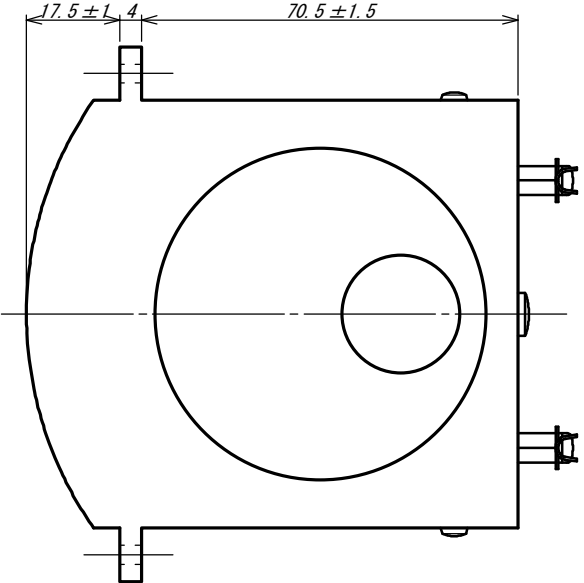
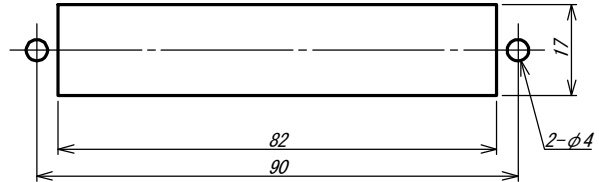
DRAWING No.

TSURUGA ELECTRIC CORPORATION

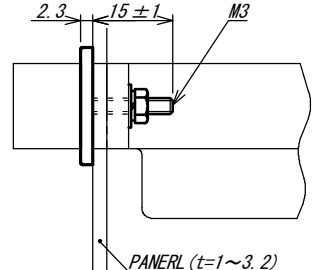
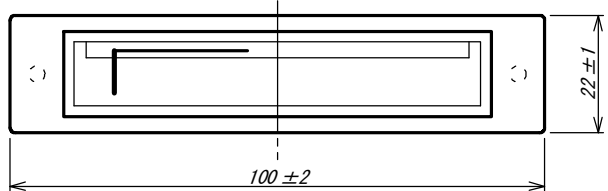
FB-00498



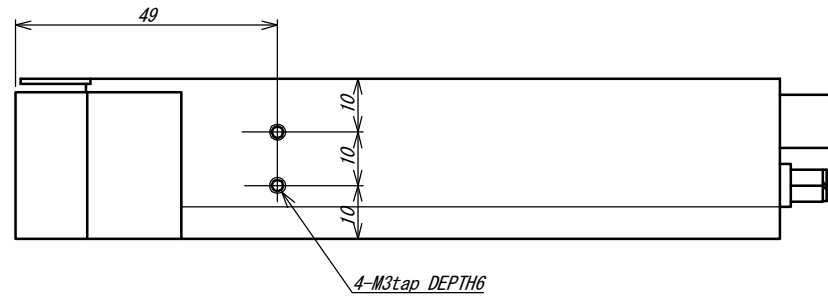
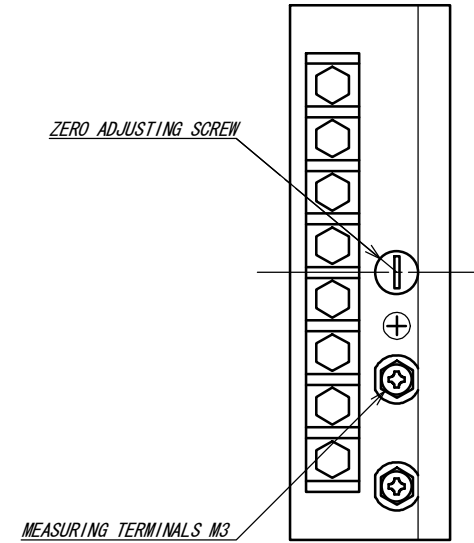
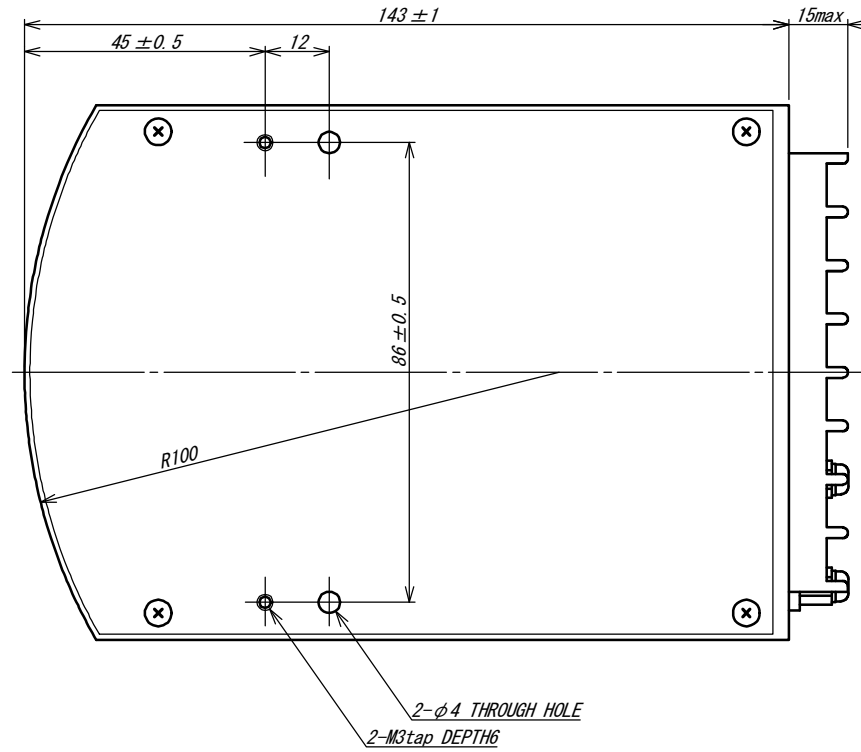
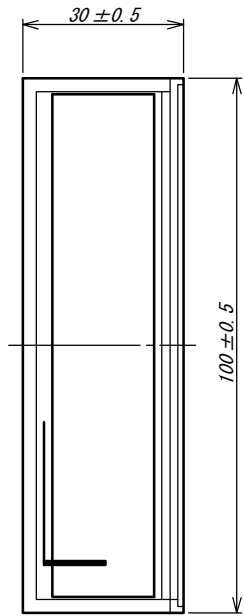
PANEL CUT-OUT



ESCUTCHEON



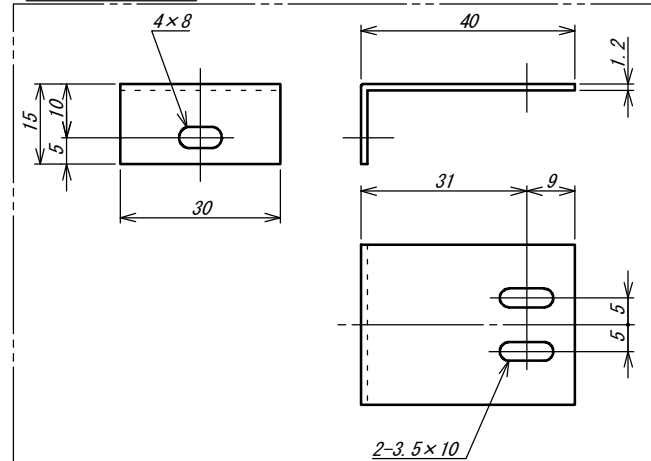
REVISED	DATE	Mar. 30, 2005	APPROVED BY	TITLE	T □ E - 8 0 B
	SCALE		CHECKED BY		
	DESIGNED BY		DRAWN BY		
	TSURUGA ELECTRIC CORPORATION				



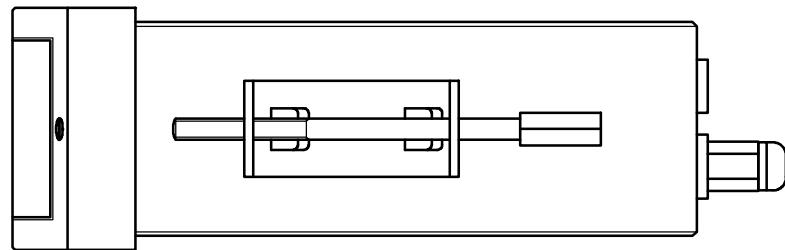
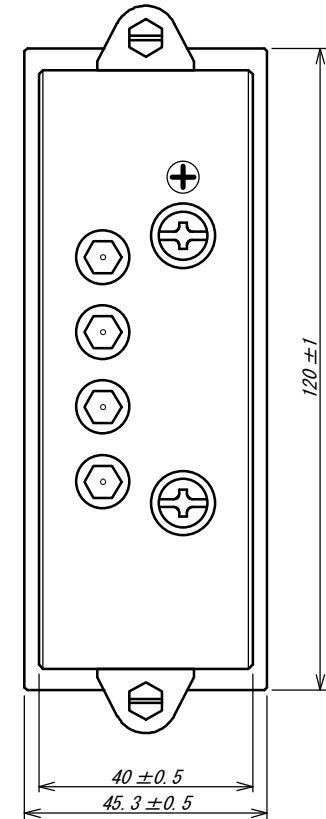
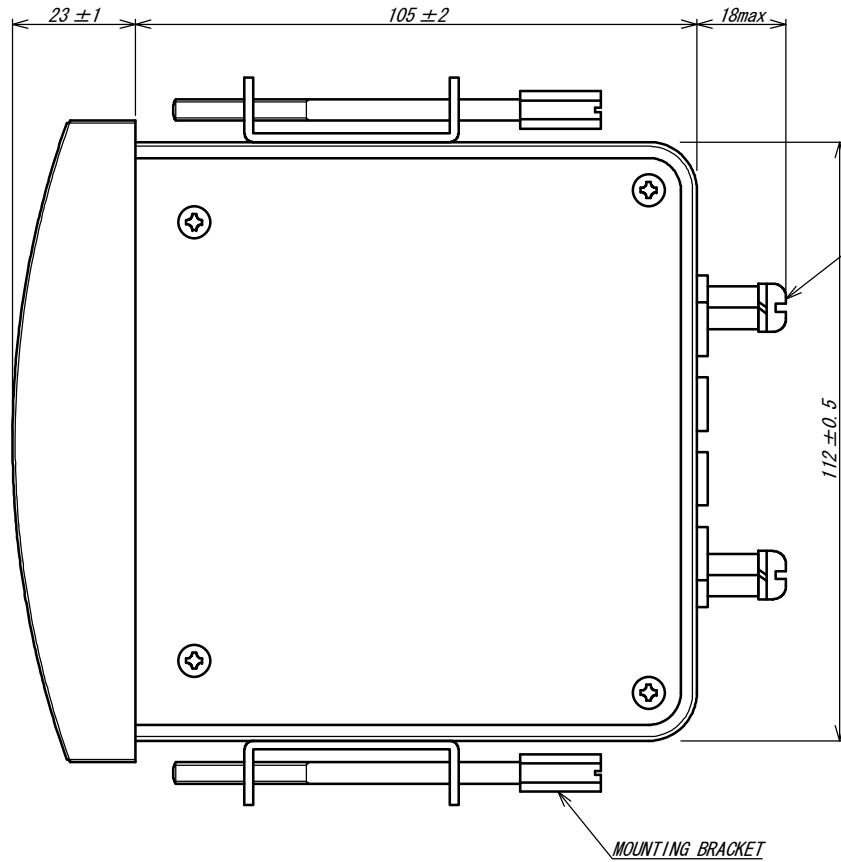
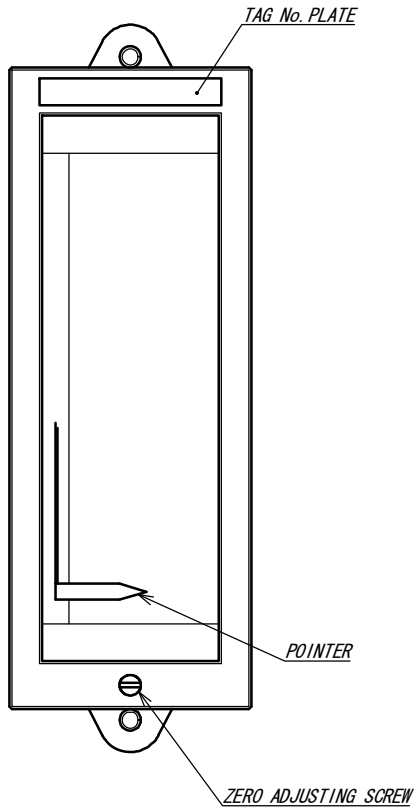
PANEL CUTOUT

- { FOR SINGLE UNIT : 101 × 31
- { FOR "N" NUMBER OF UNITS : 101 × (30.5 × N + 1)

MOUNTING BRACKET



REVISED	DATE	Jun. 19, 2012	APPROVED BY	TITLE
	SCALE		CHECKED BY	T□E-100A
	DESIGNED BY		DRAWN BY	S. Okano
	TSURUGA ELECTRIC CORPORATION			DRAWING No.
				FC-01576

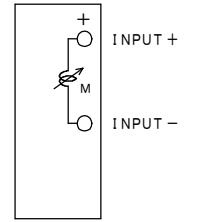


PANEL CUT-OUT
 FOR SINGLE UNIT : 113×41
 FOR "n" NUMBER OF UNITS : $113 \times \{(45.3 \times n) - 5\}$

REVISED	DATE	Jul. 27, 2012	APPROVED BY	TITLE
	SCALE		CHECKED BY	
	DESIGNED BY		DRAWN BY	DRAWING No.
			S. Okano	FC-01581
TSURUGA ELECTRIC CORPORATION				

SCALE PLATE HOLDER

MEASURING
TERMINALS M5

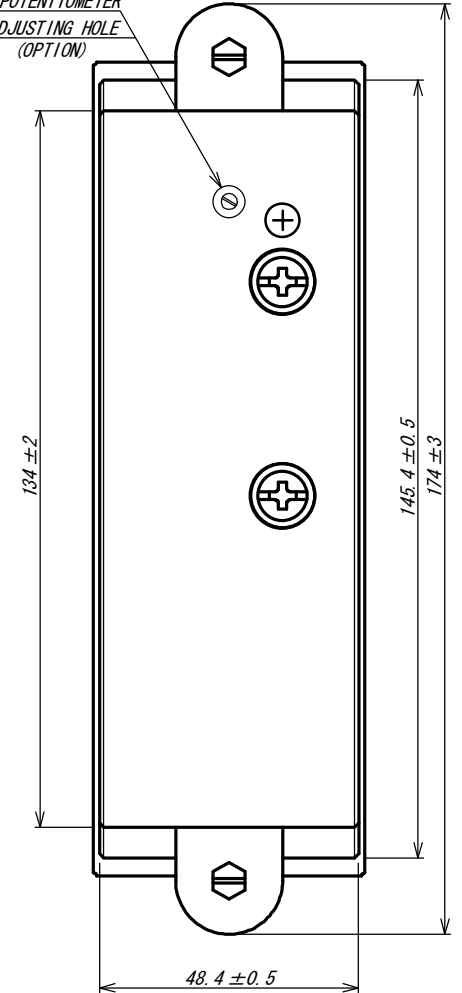
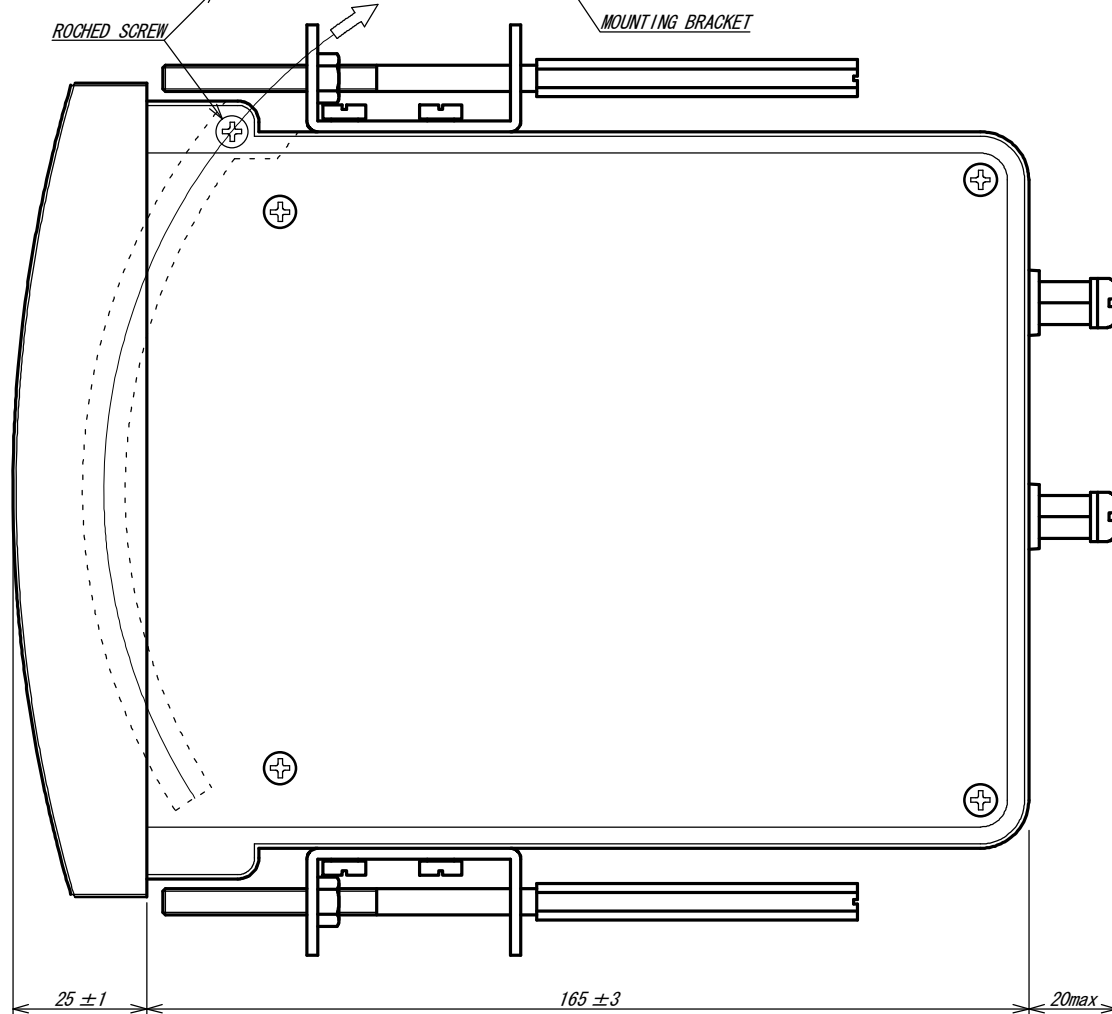
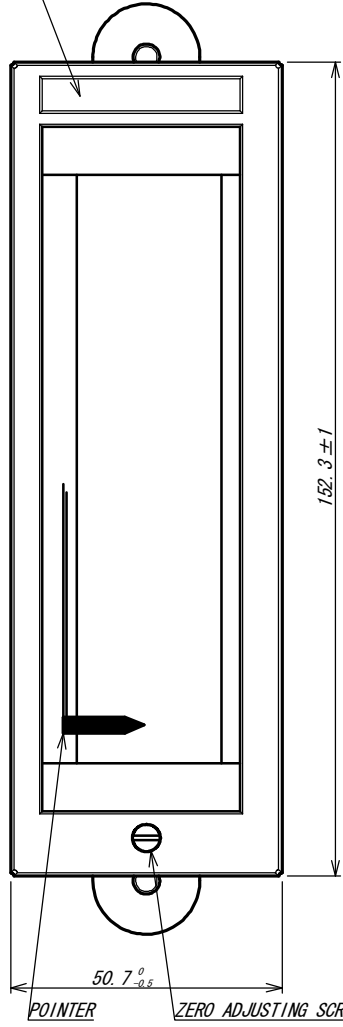


TAG No. PLATE

ROCHED SCREW

MOUNTING BRACKET

POTENTIOMETER
ADJUSTING HOLE
(OPTION)



PANEL CUT-OUT

FOR SINGLE UNIT: 146^{+0.5} × 49^{+0.5}

FOR "N" NUMBER OF UNITS: 146^{+0.5} × [(50.7 × N) - 1.8]^{+0.5}

TSURUGA ELECTRIC CORPORATION. All rights reserved.

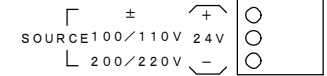
REVISED	DATE	Aug. 6, 2012	APPROVED BY	TITLE	TME-152
	SCALE		CHECKED BY		
	DESIGNED BY		DRAWN BY	S. Okano	DRAWING No.
	TSURUGA ELECTRIC CORPORATION			FC-01584	

SCALE PLATE HOLDER

TAG No. PLATE

MEASURING
TERMINALS M5

TERMINALS COVER

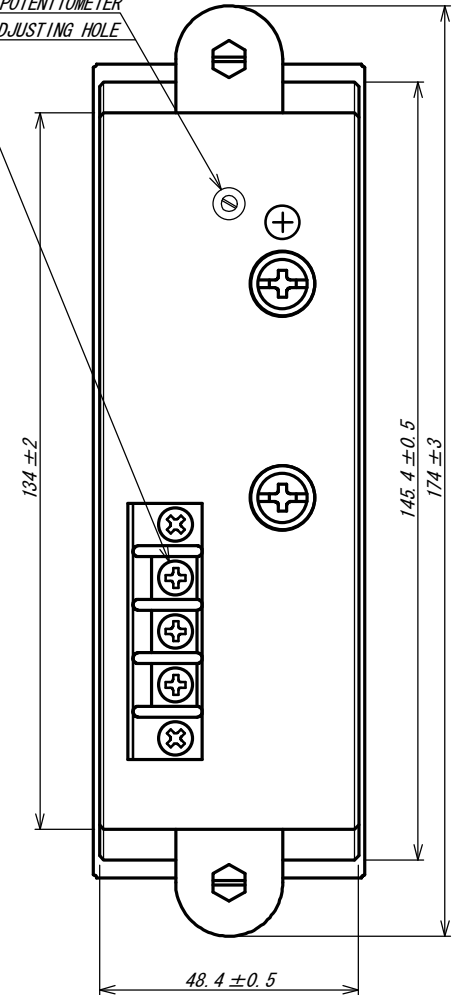
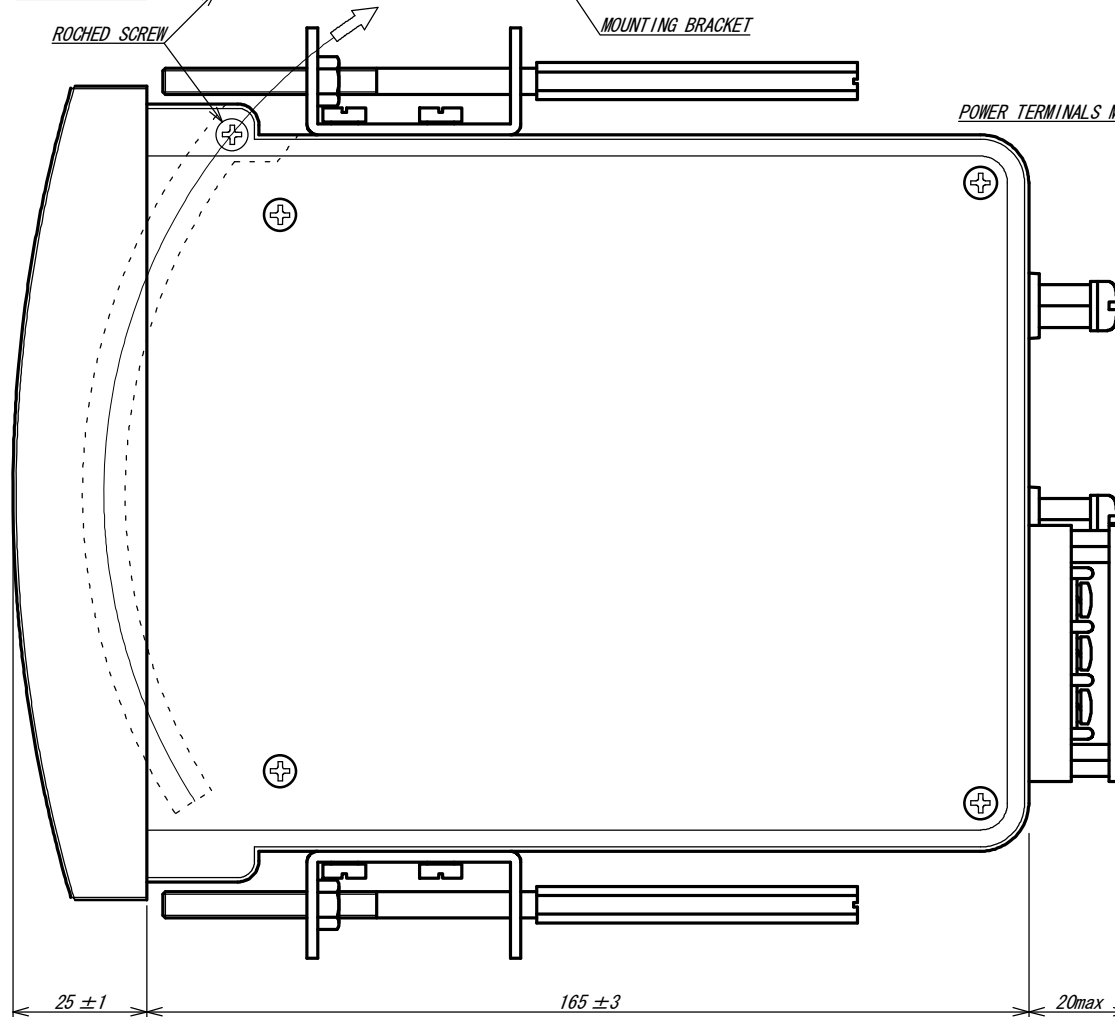
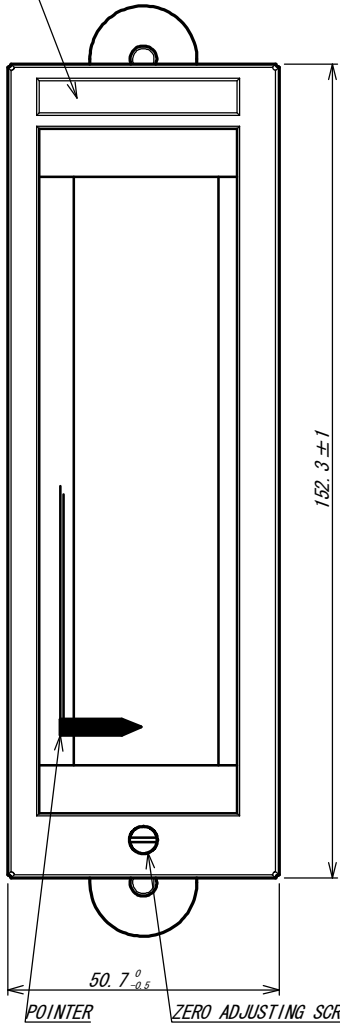


ROCHED SCREW

MOUNTING BRACKET

POTENTIOMETER
ADJUSTING HOLE

POWER TERMINALS M3



PANEL CUT-OUT

FOR SINGLE UNIT: $146^{+0.5} \times 49^{+0.5}$

FOR "N" NUMBER OF UNITS: $146^{+0.5} \times [(50.7 \times N) - 1.8]^{+0.5}$

TSURUGA ELECTRIC CORPORATION. All rights reserved.

REVISED	DATE	Aug. 6, 2012	APPROVED BY	TITLE
	SCALE		CHECKED BY	TME-152 (AMPLIFIER)
	DESIGNED BY		DRAWN BY	S. Okano
	TSURUGA ELECTRIC CORPORATION			DRAWING No. FC-01585