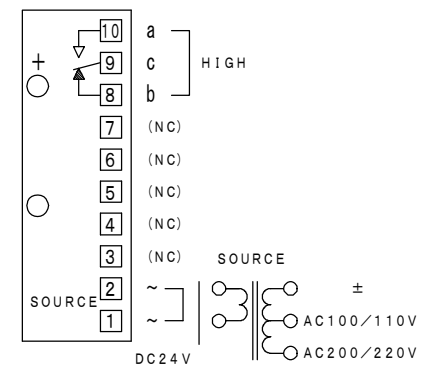
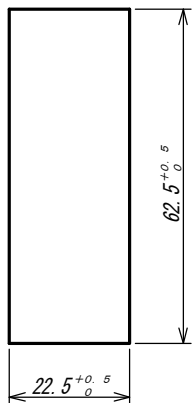


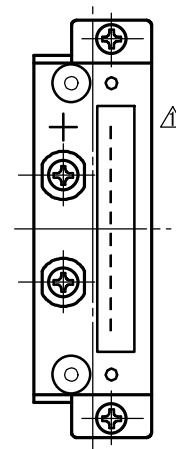
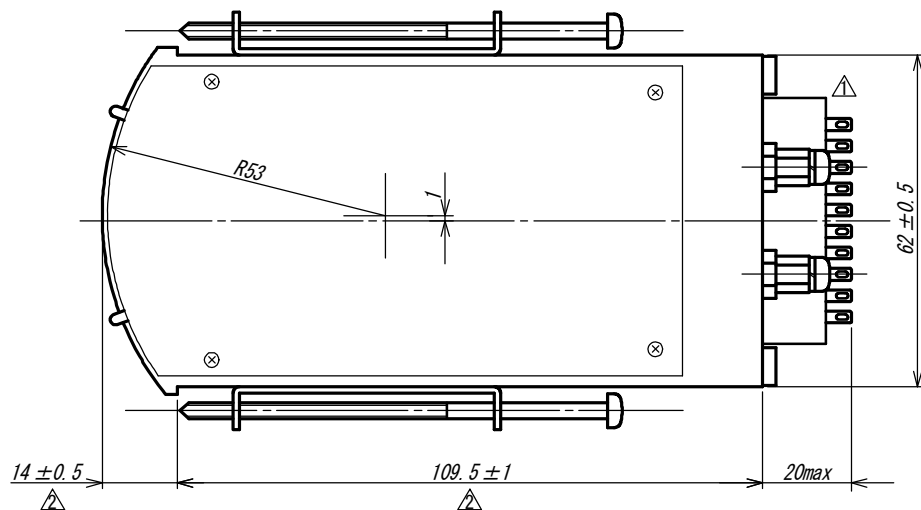
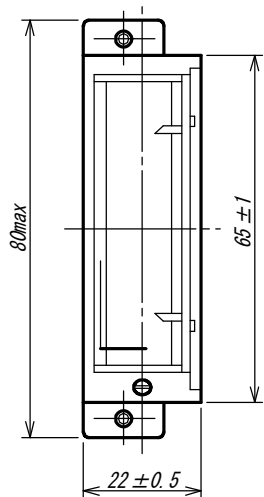
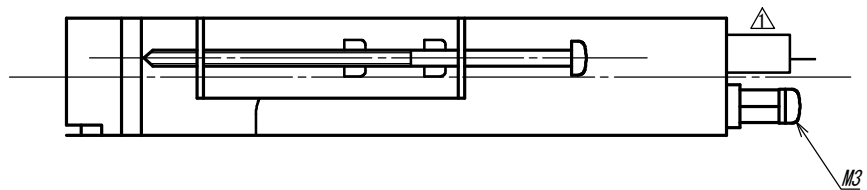
CONNECTION DIAGRAM

PANEL CUTOUT DIMENSION



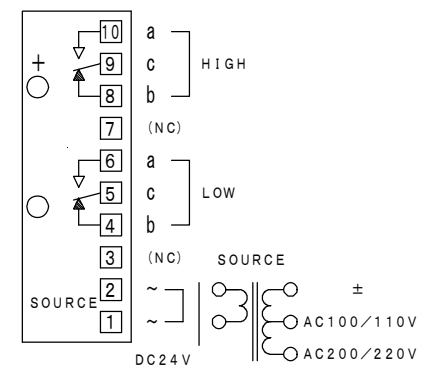
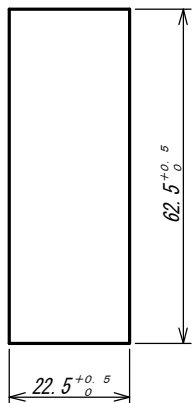
TSURUGA ELECTRIC CORPORATION. All rights reserved.

REVISED	DATE	Sep. 9, 1999	APPROVED BY	TITLE NRE-65AH
	SCALE		CHECKED BY	
	DESIGNED BY		DRAWN BY	
	TSURUGA ELECTRIC CORPORATION			
Sep. 26, 2012 S. Okano JUL. 25, 2011 S. Mayumi				



CONNECTION DIAGRAM

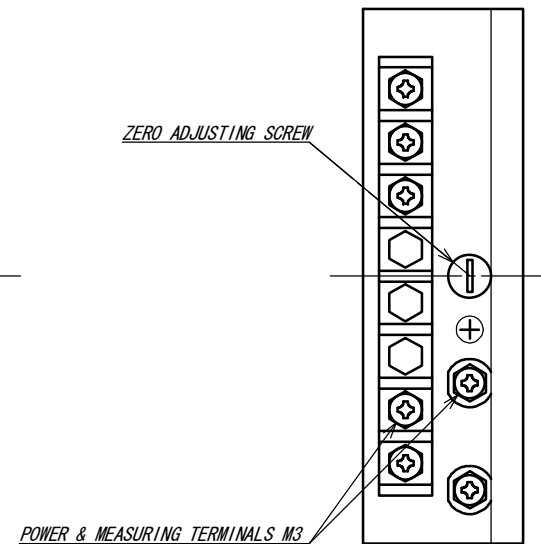
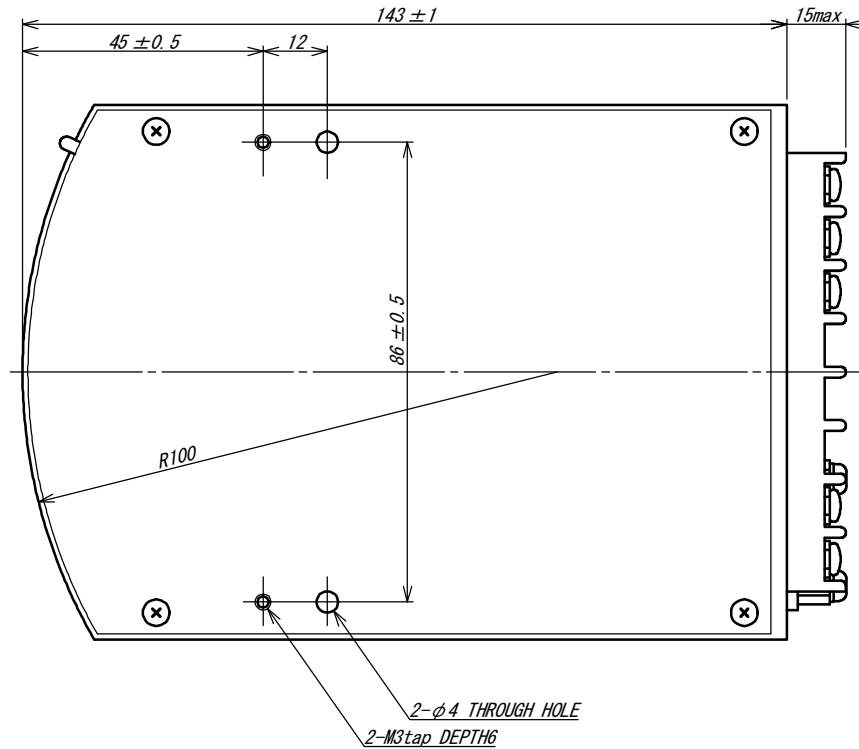
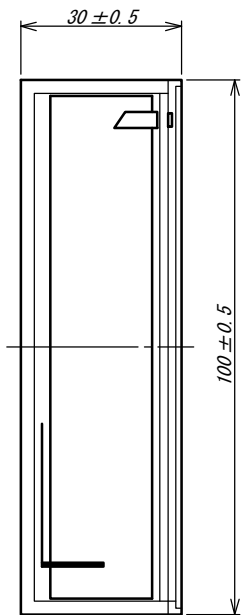
PANEL CUTOUT DIMENSION



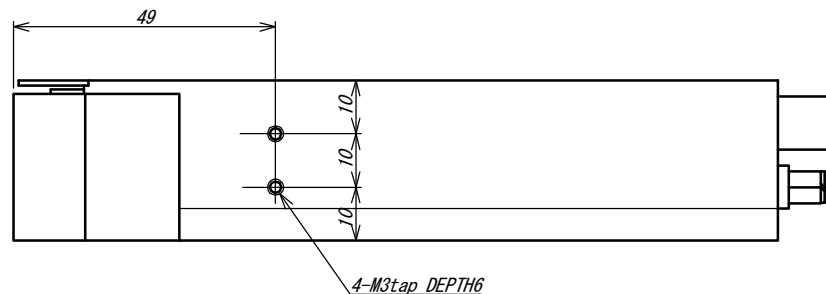
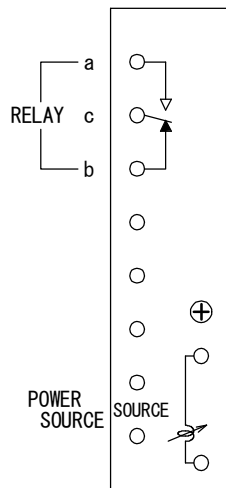
UNIT: mm

TSURUGA ELECTRIC CORPORATION. All rights reserved.

REVISED	DATE	Sep. 9, 1999	APPROVED BY	TITLE NRE-65AHL
	SCALE		CHECKED BY	
	DESIGNED BY		DRAWN BY	
	TSURUGA ELECTRIC CORPORATION			
Sep. 26, 2012 S. Okano JUL. 25, 2011 S. Mayumi				



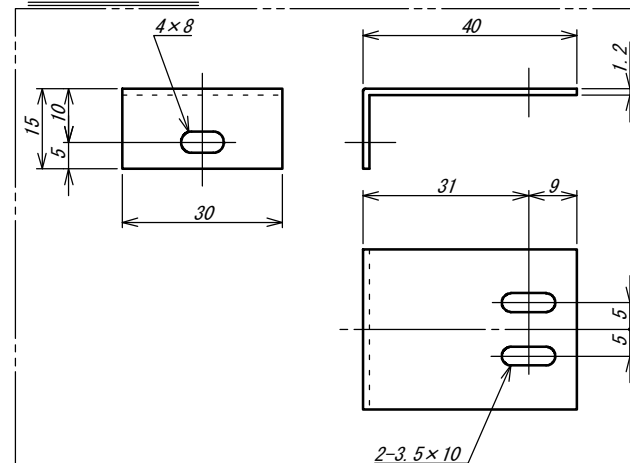
CONNECTION DIAGRAM



PANEL CUTOUT

{ FOR SINGLE UNIT : 101 × 31
 { FOR "N" NUMBER OF UNITS : 101 × (30.5 × N + 1)

MOUNTING BRACKET

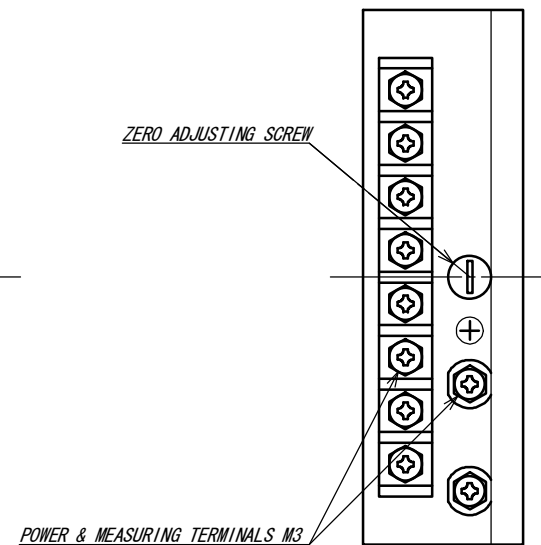
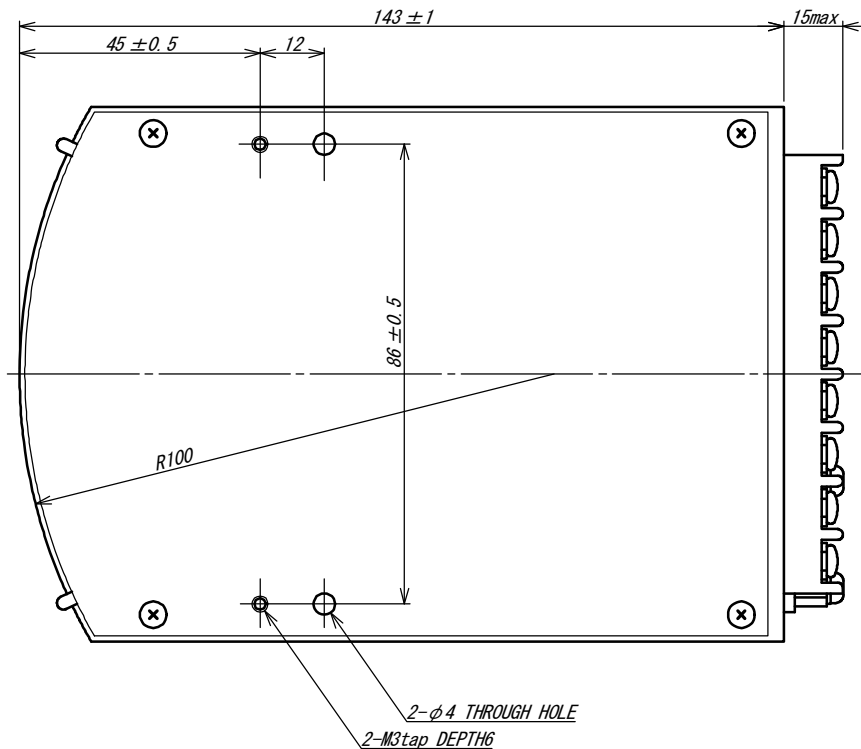
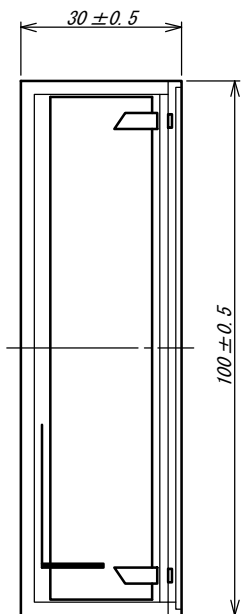


POWER SOURCE

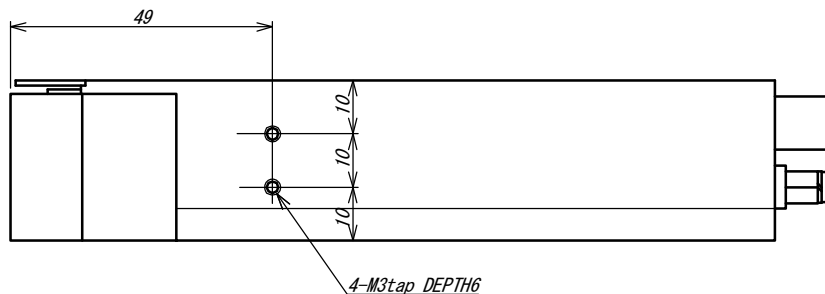
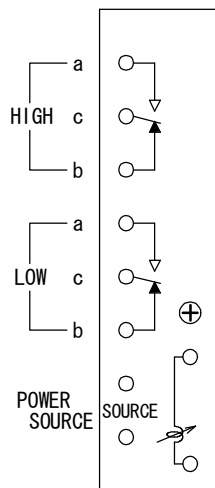
100V/110V AC (90V AC to 120V AC),
 or 200V/220V AC (180V AC to 240V AC), BY USING TRANSFORMER
 or 24V DC

TSURUGA ELECTRIC CORPORATION. All rights reserved.

REVISED	DATE	Jun. 19, 2012	APPROVED BY	TITLE
	SCALE		CHECKED BY	NRE-100AH
	DESIGNED BY		DRAWN BY	S. Okano
	TSURUGA ELECTRIC CORPORATION			DRAWING No.
				FC-01575



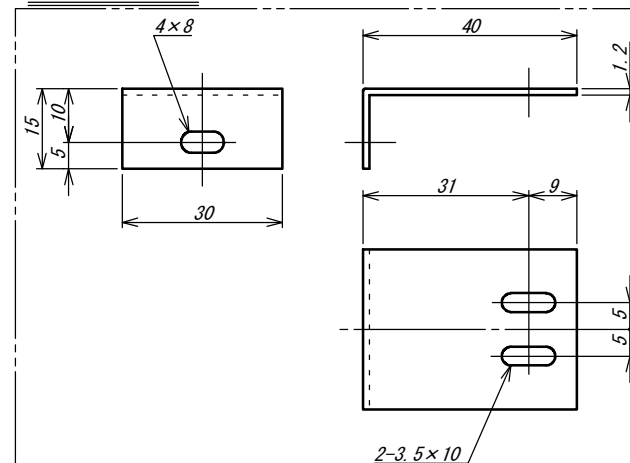
CONNECTION DIAGRAM



PANEL CUTOUT

{ FOR SINGLE UNIT : 101 × 31
 { FOR "N" NUMBER OF UNITS : 101 × (30.5 × N + 1)

MOUNTING BRACKET



POWER SOURCE

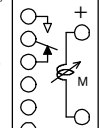
100V/110V AC (90V AC to 120V AC),
 or 200V/220V AC (180V AC to 240V AC), BY USING TRANSFORMER
 or 24V DC

TSURUGA ELECTRIC CORPORATION. All rights reserved.

REVISED	DATE	Jun. 19, 2012	APPROVED BY	TITLE
	SCALE		CHECKED BY	NRE-100AHL
	DESIGNED BY		DRAWN BY	S. Okano
	TSURUGA ELECTRIC CORPORATION			DRAWING No.
				FC-01574

CONNECTION DIAGRAM

NORMAL OPEN
(NORMAL CLOSE)
RELAY



SOURCE \pm 100/110V 24V
200/220V $-$

SCALE PLATE HOLDER

TAG No. PLATE

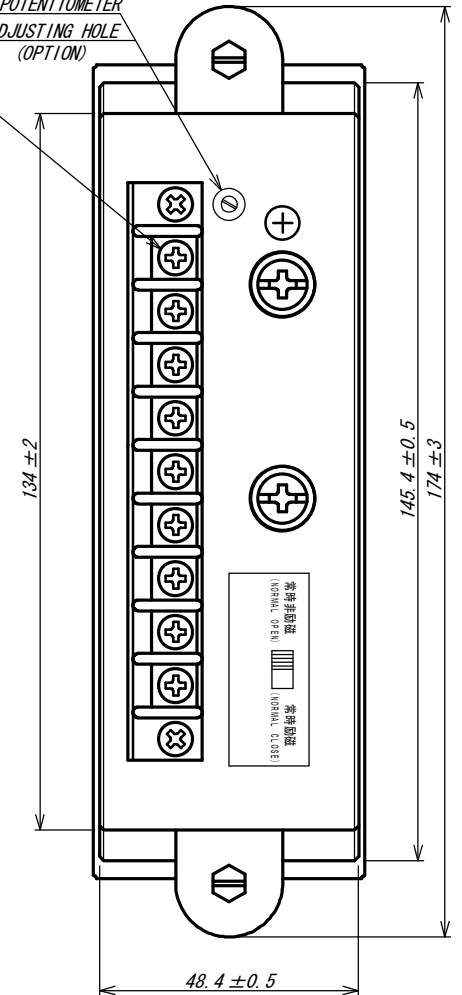
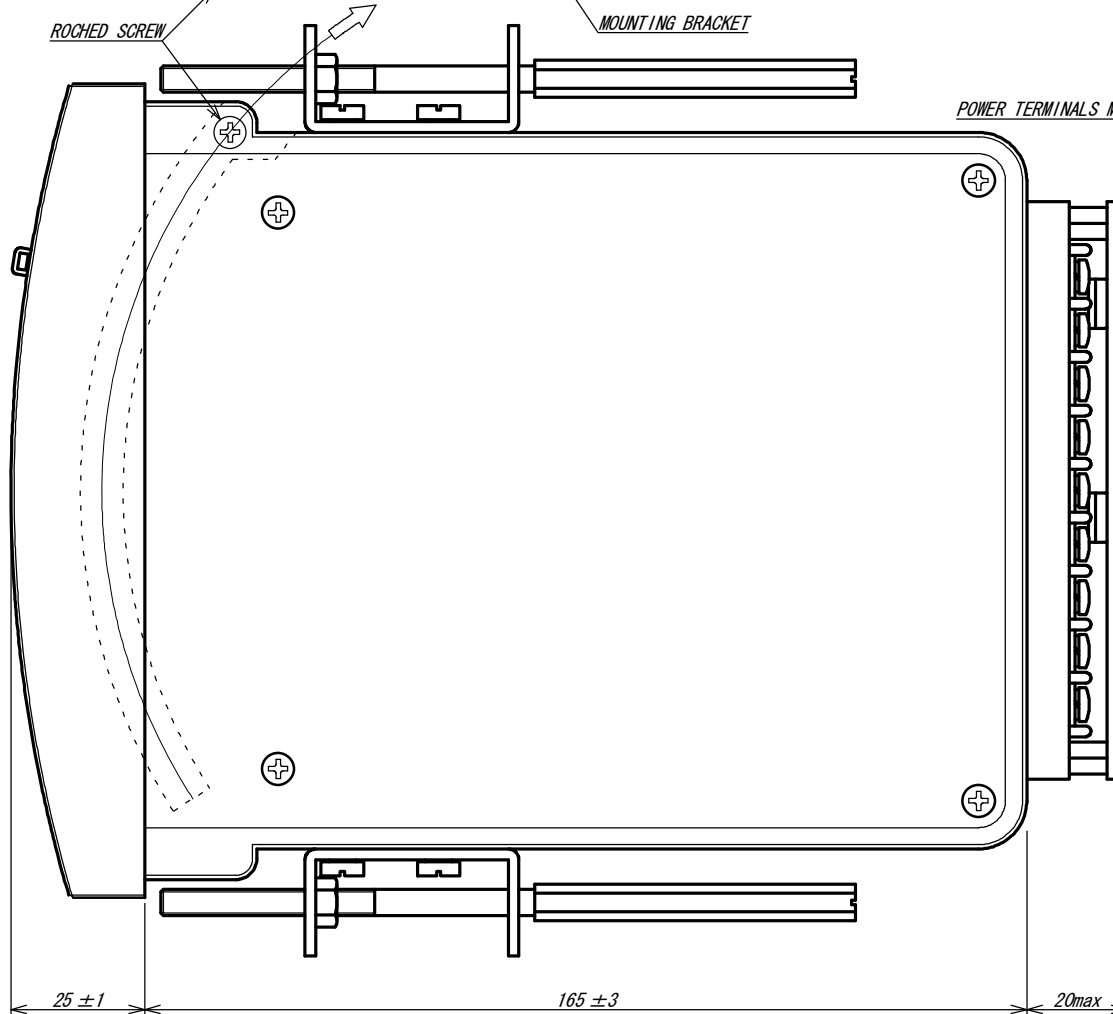
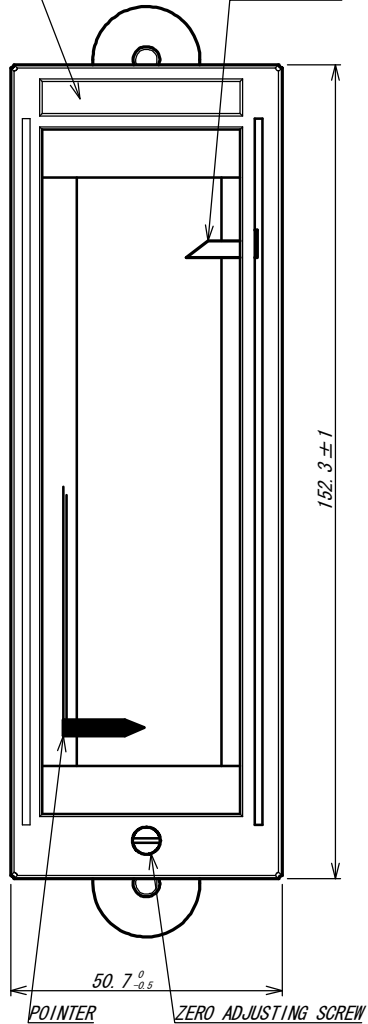
SET POINTERS

ROCHED SCREW

MOUNTING BRACKET

POTENTIOMETER
ADJUSTING HOLE
(OPTION)

POWER TERMINALS M3



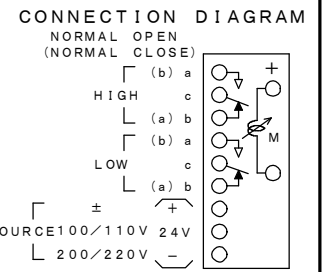
PANEL CUT-OUT

FOR SINGLE UNIT: 146^{+0.5} x 49^{+0.5}

FOR "N" NUMBER OF UNITS: 146^{+0.5} x [(50.7 x N) - 1.8]^{+0.5}

TSURUGA ELECTRIC CORPORATION. All rights reserved.

REVISED	DATE	Aug. 6, 2012	APPROVED BY	TITLE	NRE-152H
	SCALE		CHECKED BY		
	DESIGNED BY		DRAWN BY	S. Okano	DRAWING No.
	TSURUGA ELECTRIC CORPORATION			FC-01583	



SCALE PLATE HOLDER

TAG No. PLATE

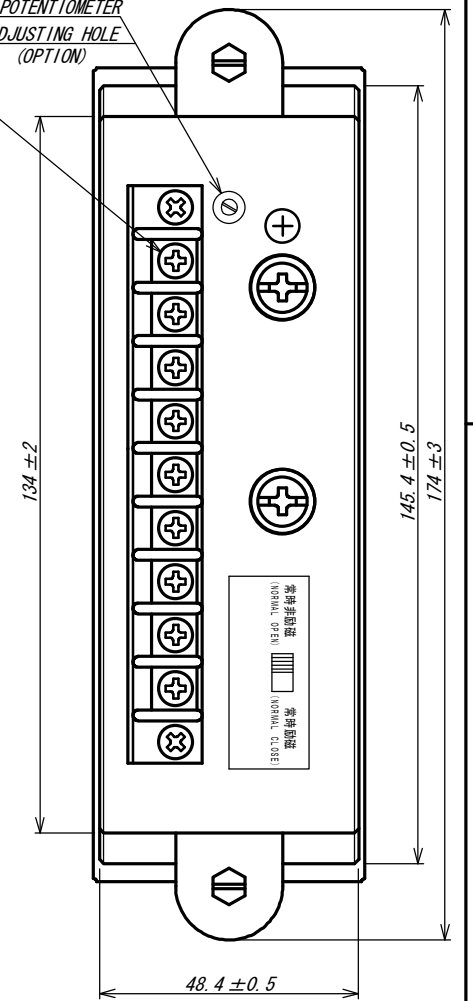
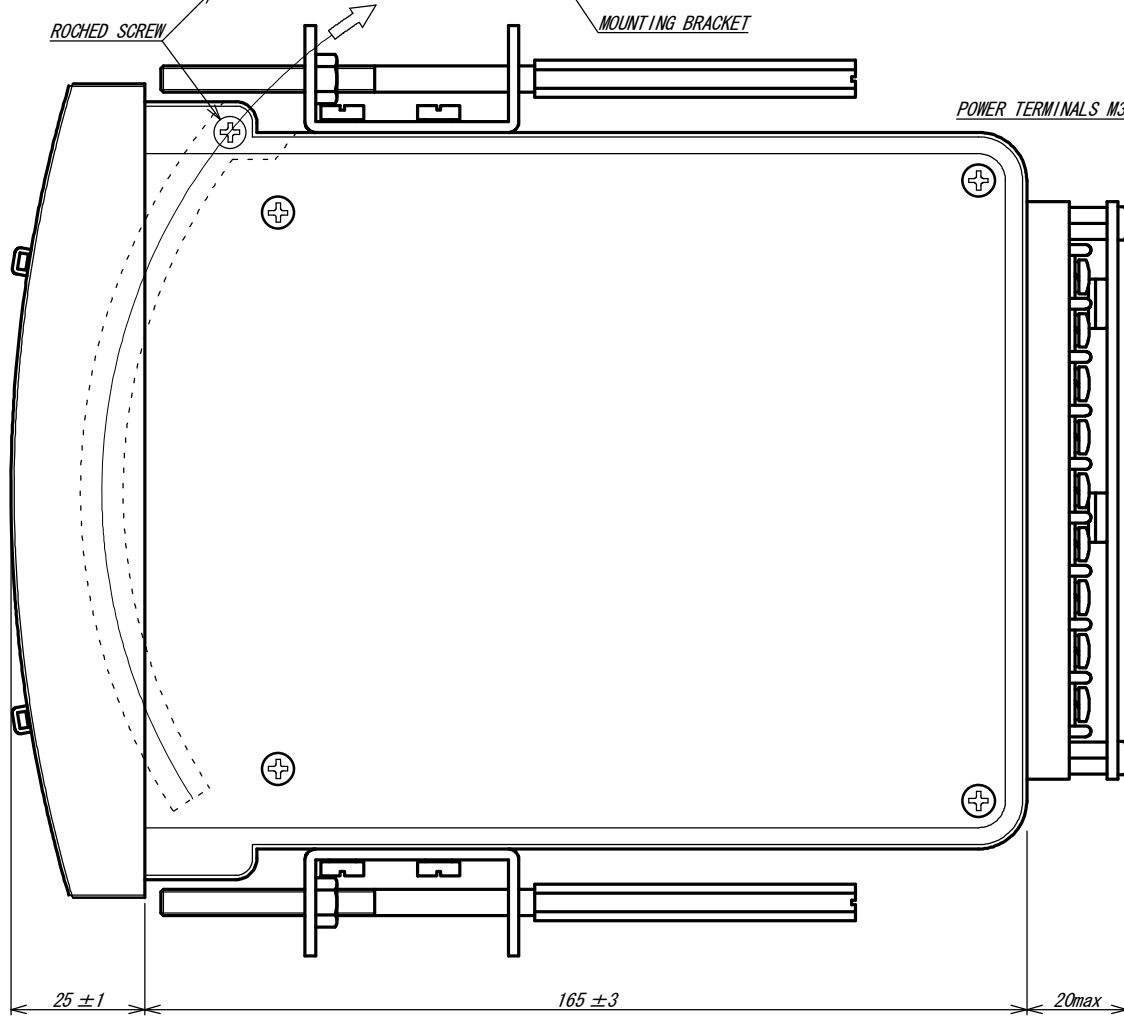
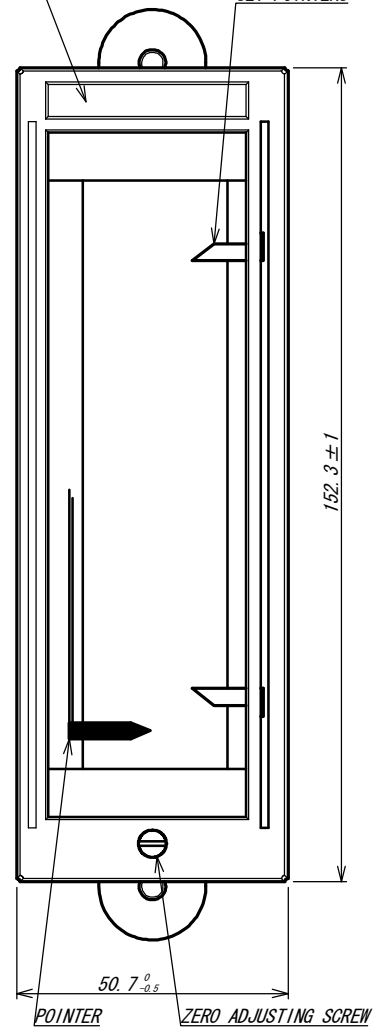
SET POINTERS

ROCHED SCREW

MOUNTING BRACKET

POTENTIOMETER
ADJUSTING HOLE
(OPTION)

POWER TERMINALS M3



PANEL CUT-OUT

FOR SINGLE UNIT: $146^{+0.5} \times 49^{+0.5}$
FOR "N" NUMBER OF UNITS: $146^{+0.5} \times [(50.7 \times N) - 1.8]^{+0.5}$

TSURUGA ELECTRIC CORPORATION. All rights reserved.

REVISED	DATE Dec. 3, 1997	APPROVED BY	TITLE NRE-152HL
	SCALE 	CHECKED BY	DRAWING No.
	DESIGNED BY	DRAWN BY S. Okano	FC-00978-1
TSURUGA ELECTRIC CORPORATION			

Aug. 6, 2012