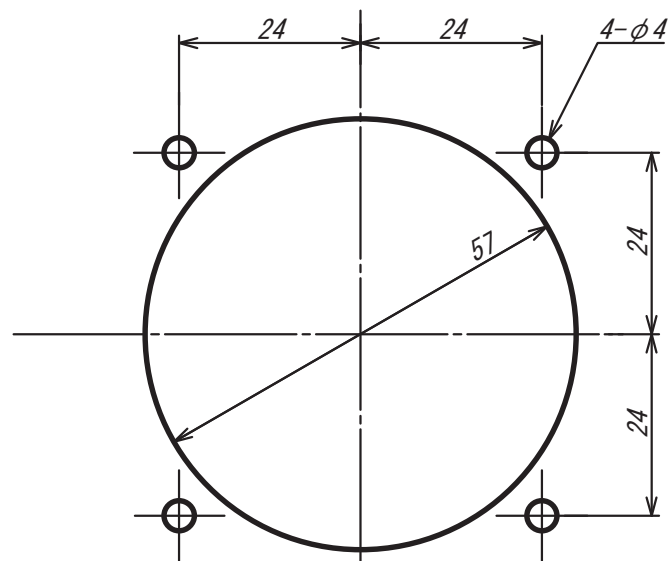
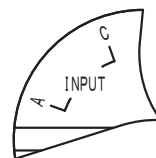


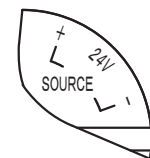
PANEL CUTOUT DIMENSION



FOR AC INPUT



FOR DC POWER SUPPLY

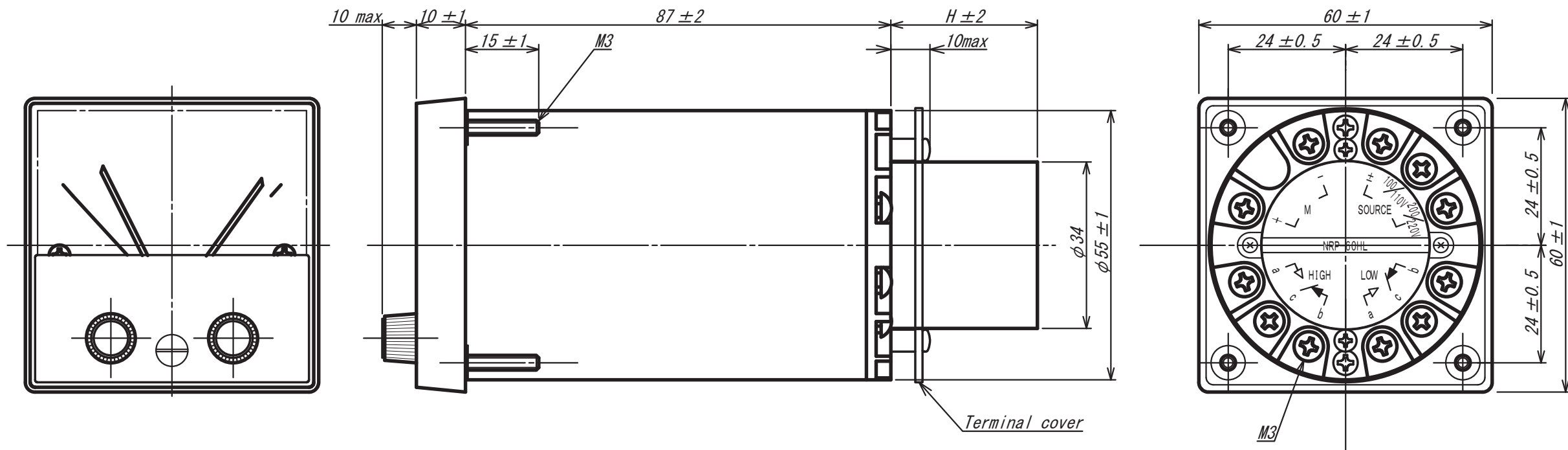


H DIMENNSIONS

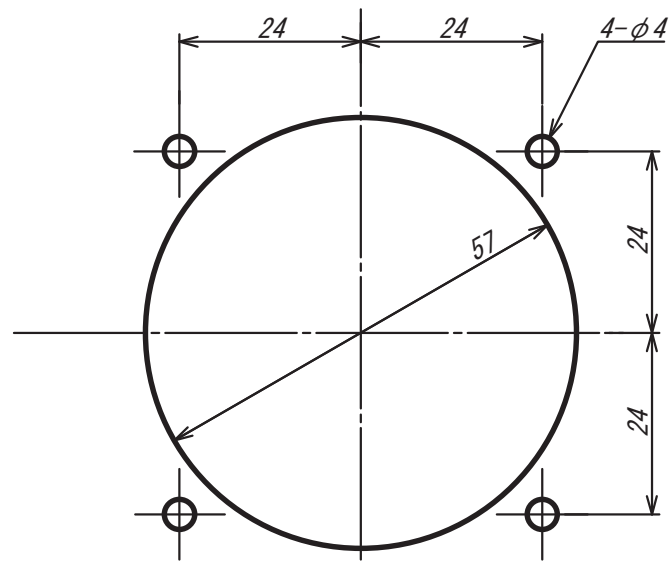
DC VOLTMETER	0
DC AMMETER	
AC VOLTMETER	
AC AMMETER	
TACHOMETER	
AC AMMETER (R.M.S.-responding)	30

TSURUGA ELECTRIC CORPORATION All rights reserved.

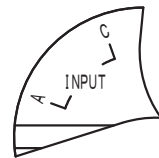
REVISED	DATE 2021/10/20	APPROVED BY	TITLE
	CHECKED BY		NRP-60H
	SCALE	DRAWN BY	With a terminal cover
	TSURUGA ELECTRIC CORPORATION		DRAWING No. FC-01771



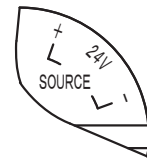
PANEL CUTOUT DIMENSION



FOR AC INPUT



FOR DC POWER SUPPLY

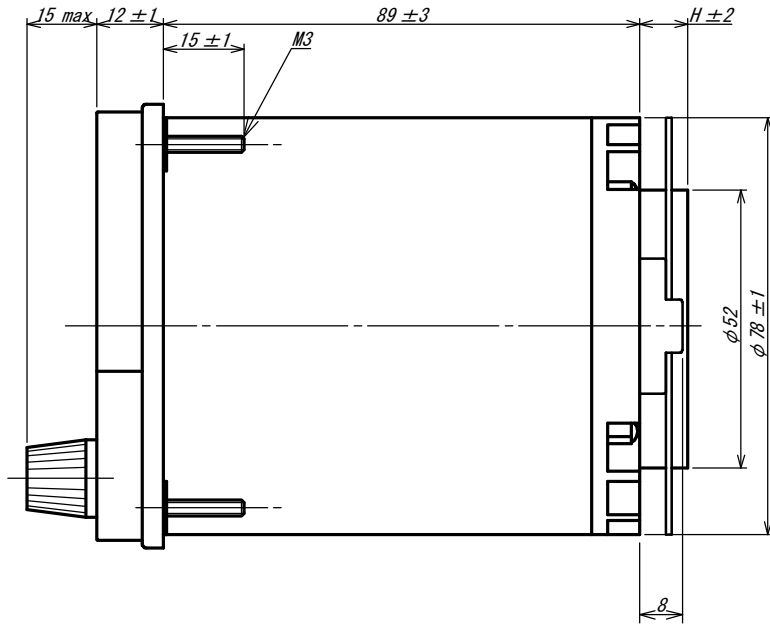
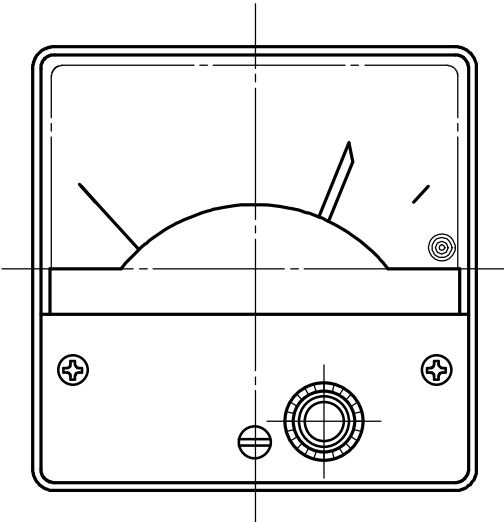


H DIMENNSIONS

DC VOLTMETER	0
DC AMMETER	
AC VOLTMETER	
AC AMMETER	
TACHOMETER	
AC AMMETER (R.M.S.-responding)	30

TSURUGA ELECTRIC CORPORATION All rights reserved.

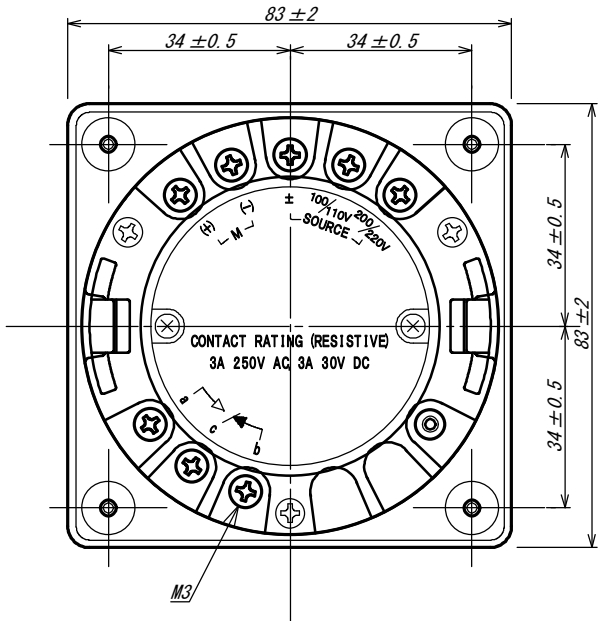
REVISED	DATE	2021/10/19	APPROVED BY	TITLE
	CHECKED BY			NRP-60HL With a terminal cover
	SCALE		DRAWN BY	DRAWING No.
	TSURUGA ELECTRIC CORPORATION			FC-01769



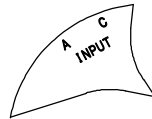
H DIMENSIONS

DC VOLTMETER	0
DC AMMETER	
AC VOLTMETER	8
AC AMMETER	
TACHOMETER	
AC AMMETER (R.M.S.-responding)	32

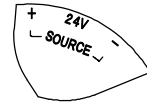
BACK VIEW



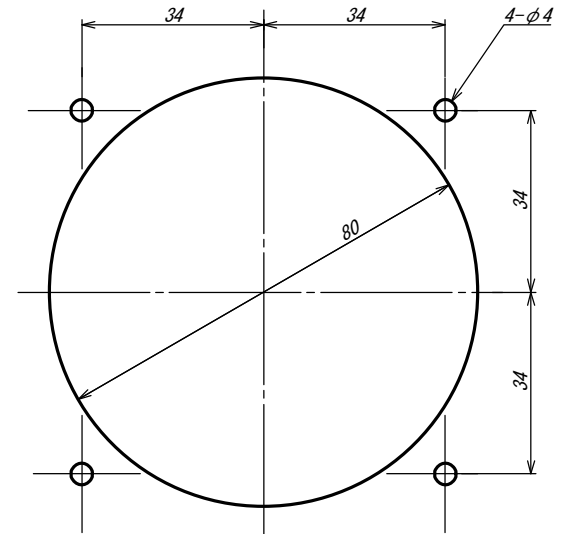
FOR AC INPUT



FOR DC POWER SUPPLY



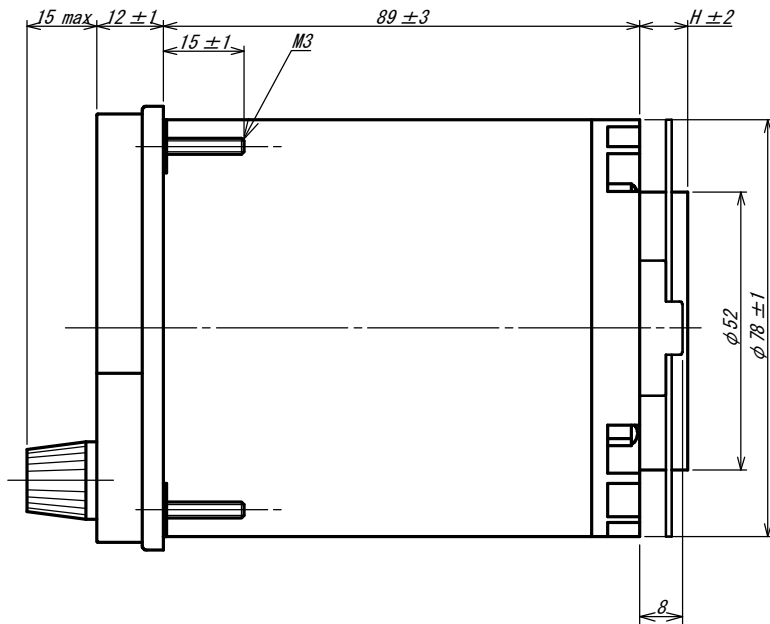
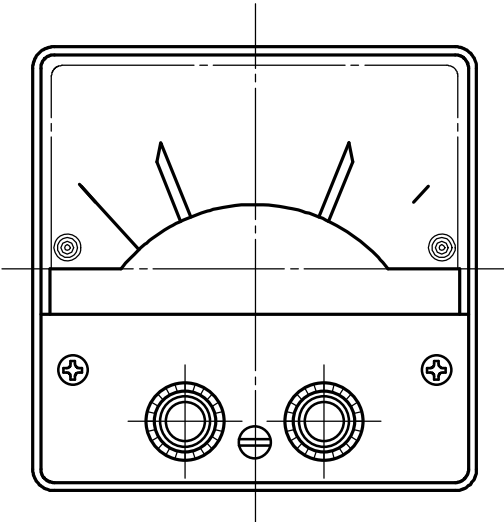
PANEL CUTOUT DIMENSION



UNIT: mm

TSURUGA ELECTRIC CORPORATION. All rights reserved.

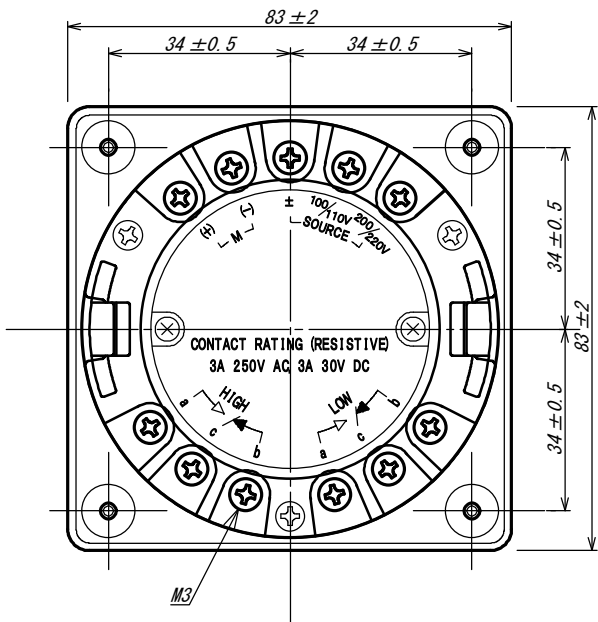
REVISED	DATE	APPROVED BY	TITLE
	Apr. 22, 1999		
	SCALE	CHECKED BY	DRAWING No.
DESIGNED BY	DRAWN BY	TSURUGA ELECTRIC CORPORATION	
Dec. 26, 2000			
Oct. 16, 2000			



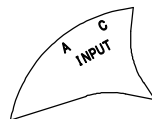
H DIMENSIONS

DC VOLTMETER	0
DC AMMETER	
AC VOLTMETER	8
AC AMMETER	
TACHOMETER	
AC AMMETER (R.M.S.-responding)	32

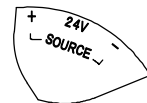
BACK VIEW



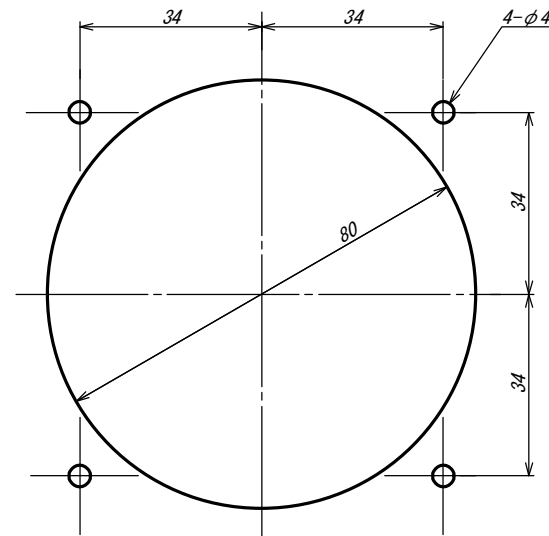
FOR AC INPUT



FOR DC POWER SUPPLY



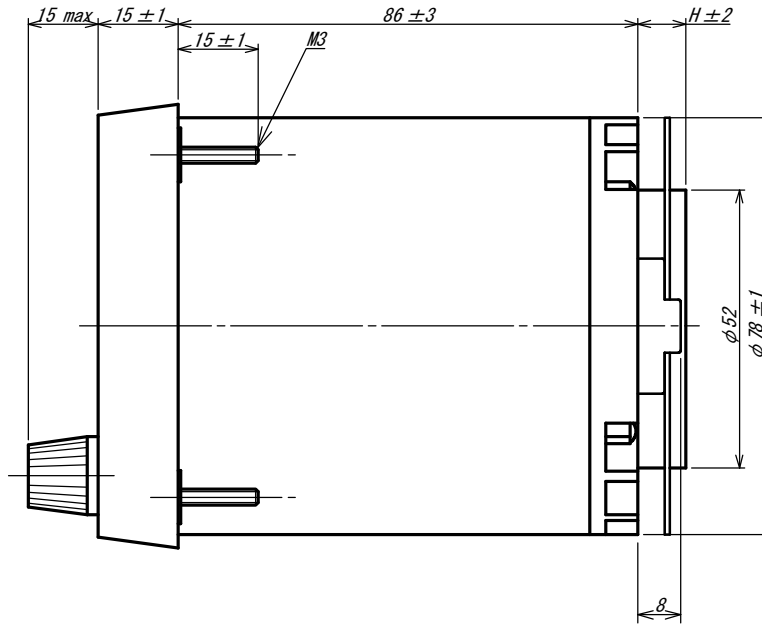
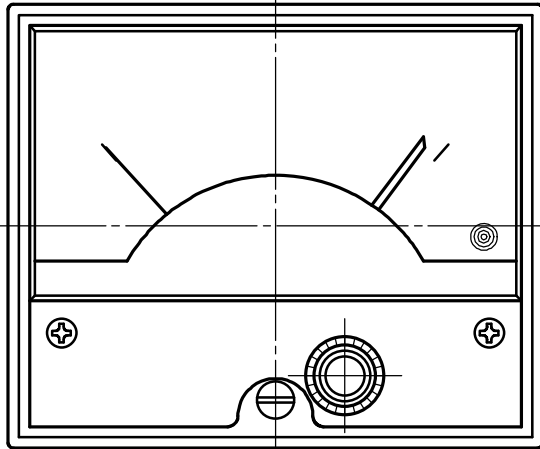
PANEL CUTOUT DIMENSION



UNIT: mm

TSURUGA ELECTRIC CORPORATION. All rights reserved.

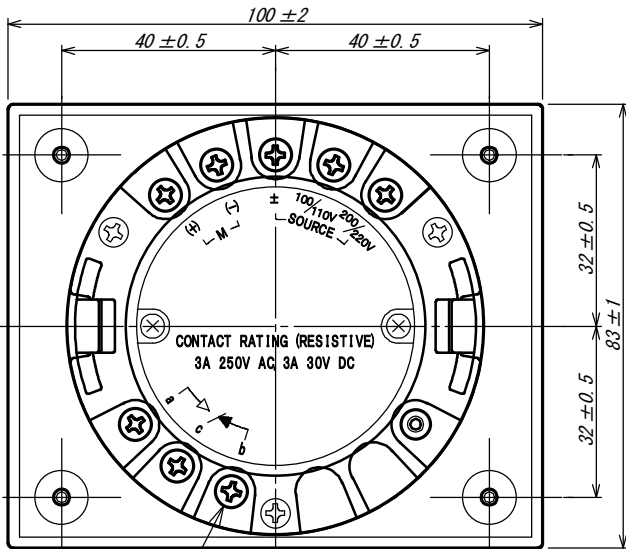
REVISED	DATE	APPROVED BY	TITLE	
	Apr. 22, 1999			NRP-83HL
	SCALE	CHECKED BY		DRAWING No.
				FC-01037-1
	DESIGNED BY	DRAWN BY		
	TSURUGA ELECTRIC CORPORATION			
Oct. 16, 2000				



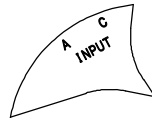
H DIMENSIONS

DC VOLTMETER	0
DC AMMETER	
AC VOLTMETER	
AC AMMETER	8
TACHOMETER	
AC AMMETER (R.M.S.-responding)	32

BACK VIEW



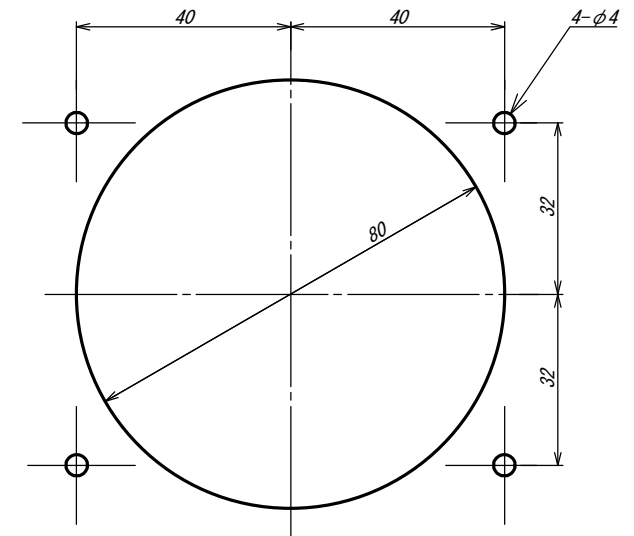
FOR AC INPUT



FOR DC POWER SUPPLY



PANEL CUTOUT DIMENSION

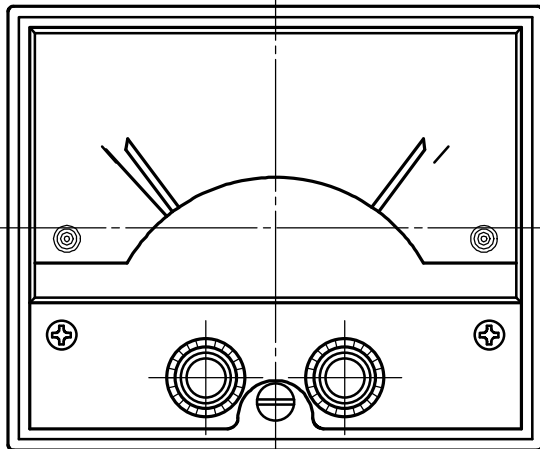


UNIT: mm

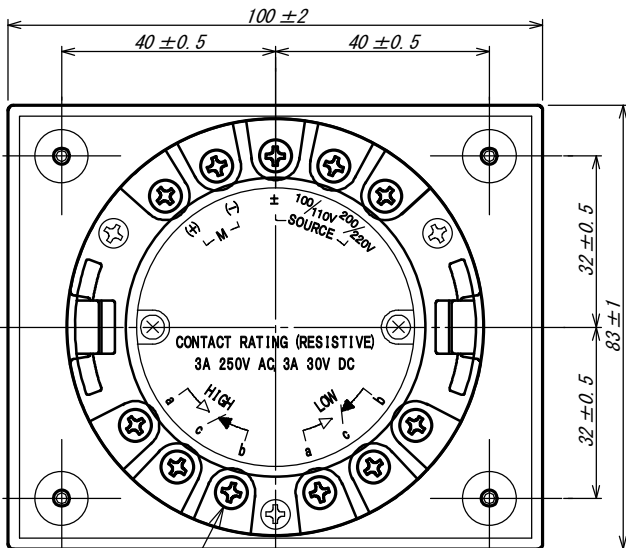
TSURUGA ELECTRIC CORPORATION. All rights reserved.

REVISED	DATE Apr. 22, 1999	APPROVED BY	TITLE NRC-100H
	SCALE	CHECKED BY	DRAWING No. FC-01042-1
	DESIGNED BY	DRAWN BY	
	TSURUGA ELECTRIC CORPORATION		

Oct. 16, 2000

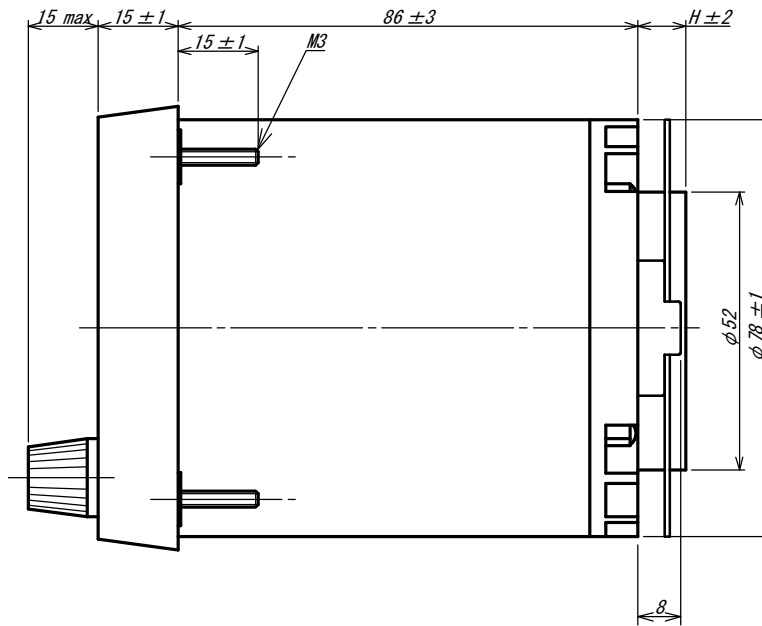


BACK VIEW



M3

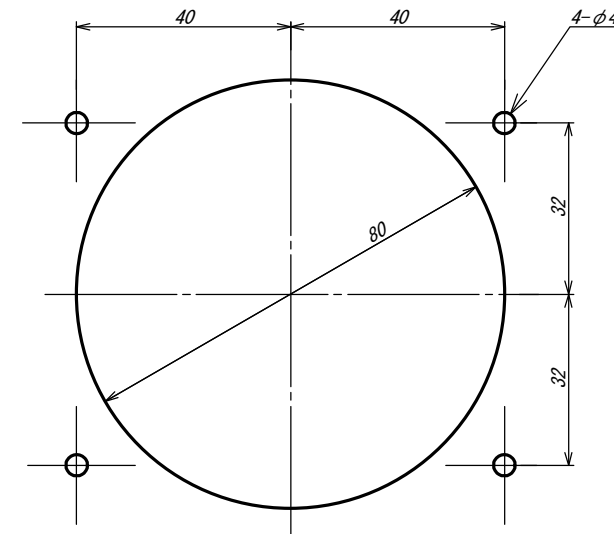
TSURUGA ELECTRIC CORPORATION. All rights reserved.



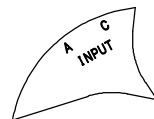
H DIMENSIONS

DC VOLTMETER	0
DC AMMETER	
AC VOLTMETER	
AC AMMETER	8
TACHOMETER	
AC AMMETER (R.M.S.-responding)	32

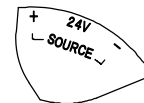
PANEL CUTOUT DIMENSION



FOR AC INPUT



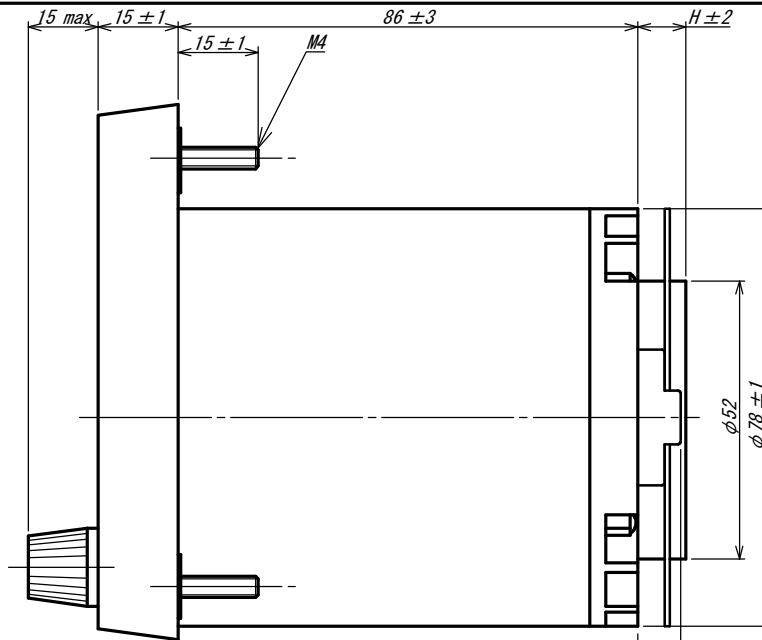
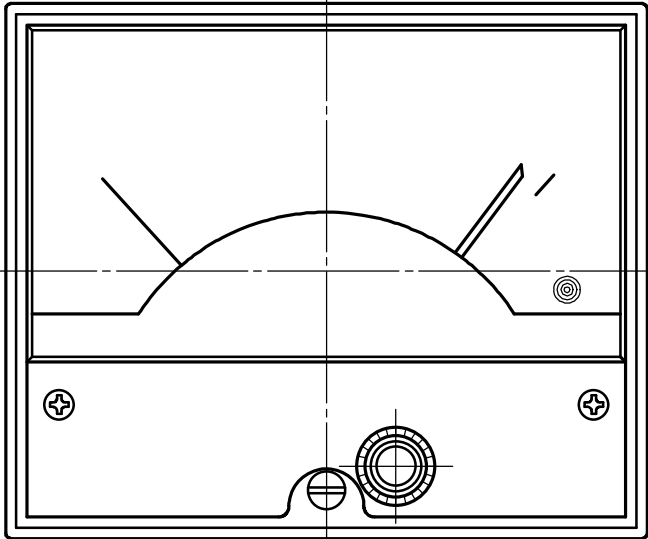
FOR DC POWER SUPPLY



UNIT: mm

REVISED	DATE Apr. 22, 1999	APPROVED BY	TITLE NRC-100HL
	SCALE	CHECKED BY	DRAWING No. FC-01041-1
	DESIGNED BY	DRAWN BY	
	TSURUGA ELECTRIC CORPORATION		

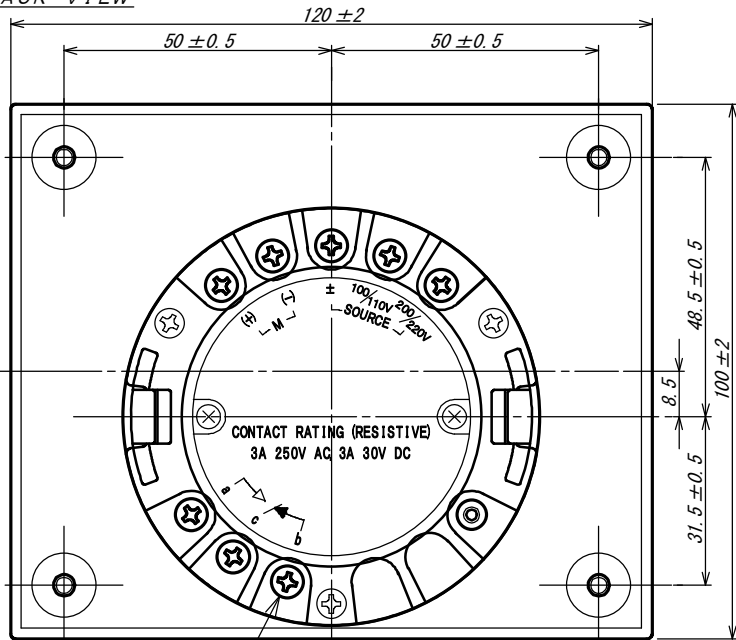
Oct. 16, 2000



H DIMENNSIONS

DC VOLTMETER	0
DC AMMETER	
AC VOLTMETER	
AC AMMETER	8
TACHOMETER	
AC AMMETER (R.M.S.-responding)	32

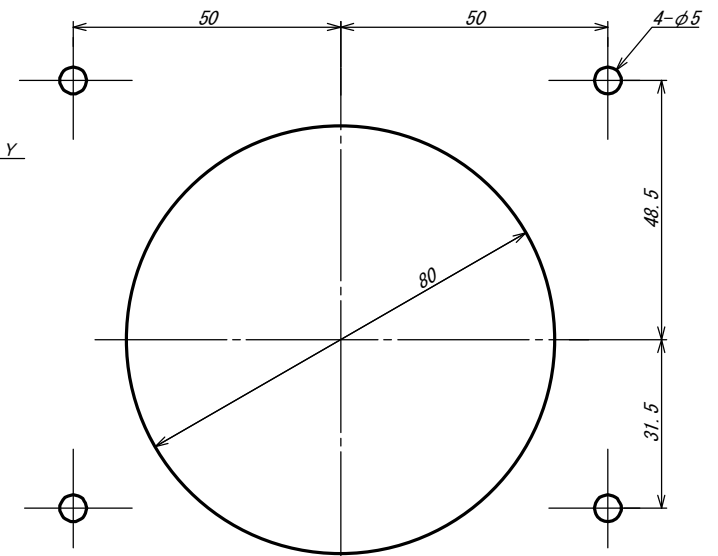
BACK VIEW



M3

TSURUGA ELECTRIC CORPORATION. All rights reserved.

PANEL CUTOUT DIMENSION



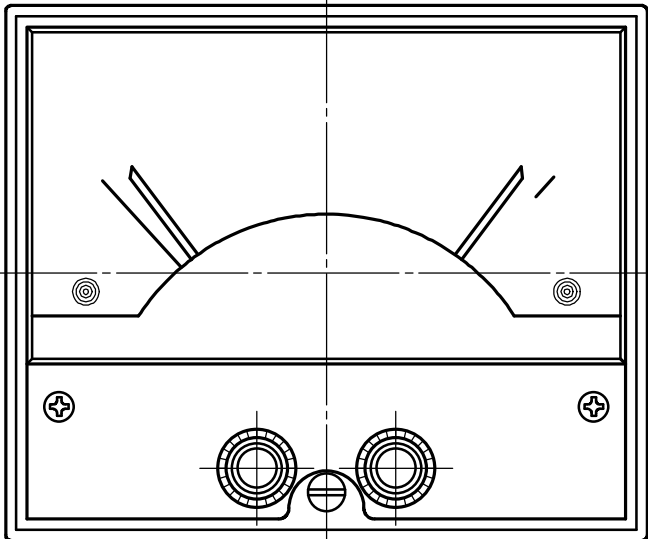
UNIT: mm

FOR AC INPUT FOR DC POWER SUPPLY

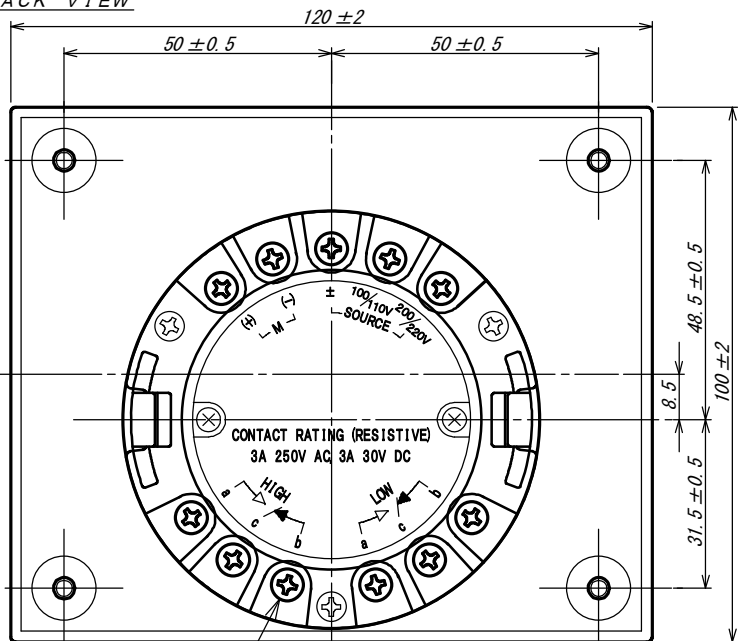


REVISED	DATE Apr. 26, 1999	APPROVED BY	TITLE NRC-120H
	SCALE	CHECKED BY	DRAWING No. FC-01044-1
	DESIGNED BY	DRAWN BY	
	TSURUGA ELECTRIC CORPORATION		

Oct. 16, 2000

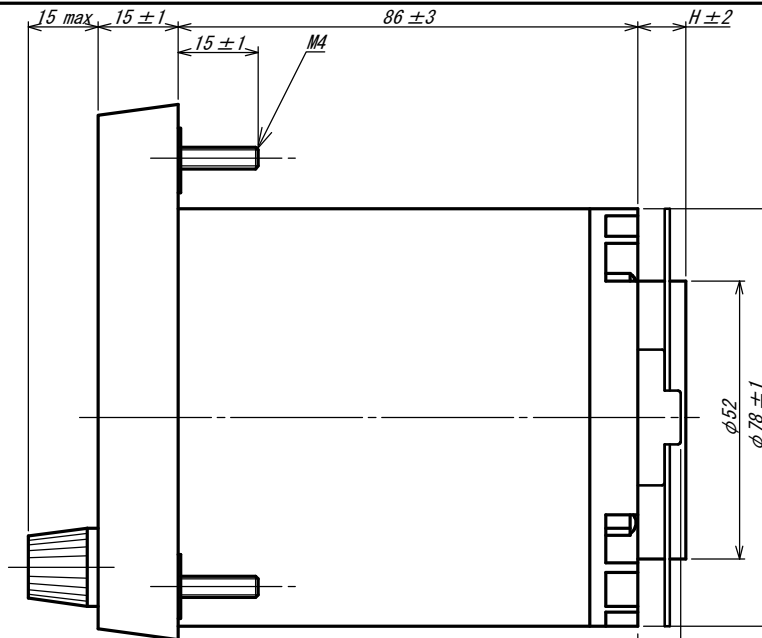


BACK VIEW



M3

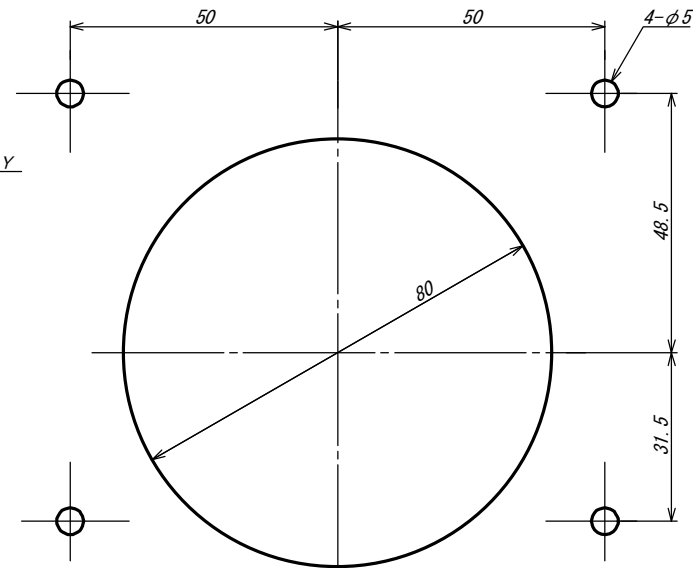
TSURUGA ELECTRIC CORPORATION. All rights reserved.



H DIMENNSIONS

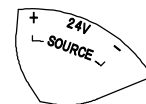
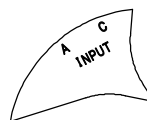
DC VOLTMETER	0
DC AMMETER	
AC VOLTMETER	
AC AMMETER	8
TACHOMETER	
AC AMMETER (R.M.S.-responding)	32

PANEL CUTOUT DIMENSION



UNIT: mm

FOR AC INPUT FOR DC POWER SUPPLY



REVISED	DATE Apr. 26, 1999	APPROVED BY	TITLE NRC-120HL
	SCALE	CHECKED BY	DRAWING No. FC-01043-1
	DESIGNED BY	DRAWN BY	
	TSURUGA ELECTRIC CORPORATION		

Oct. 16, 2000