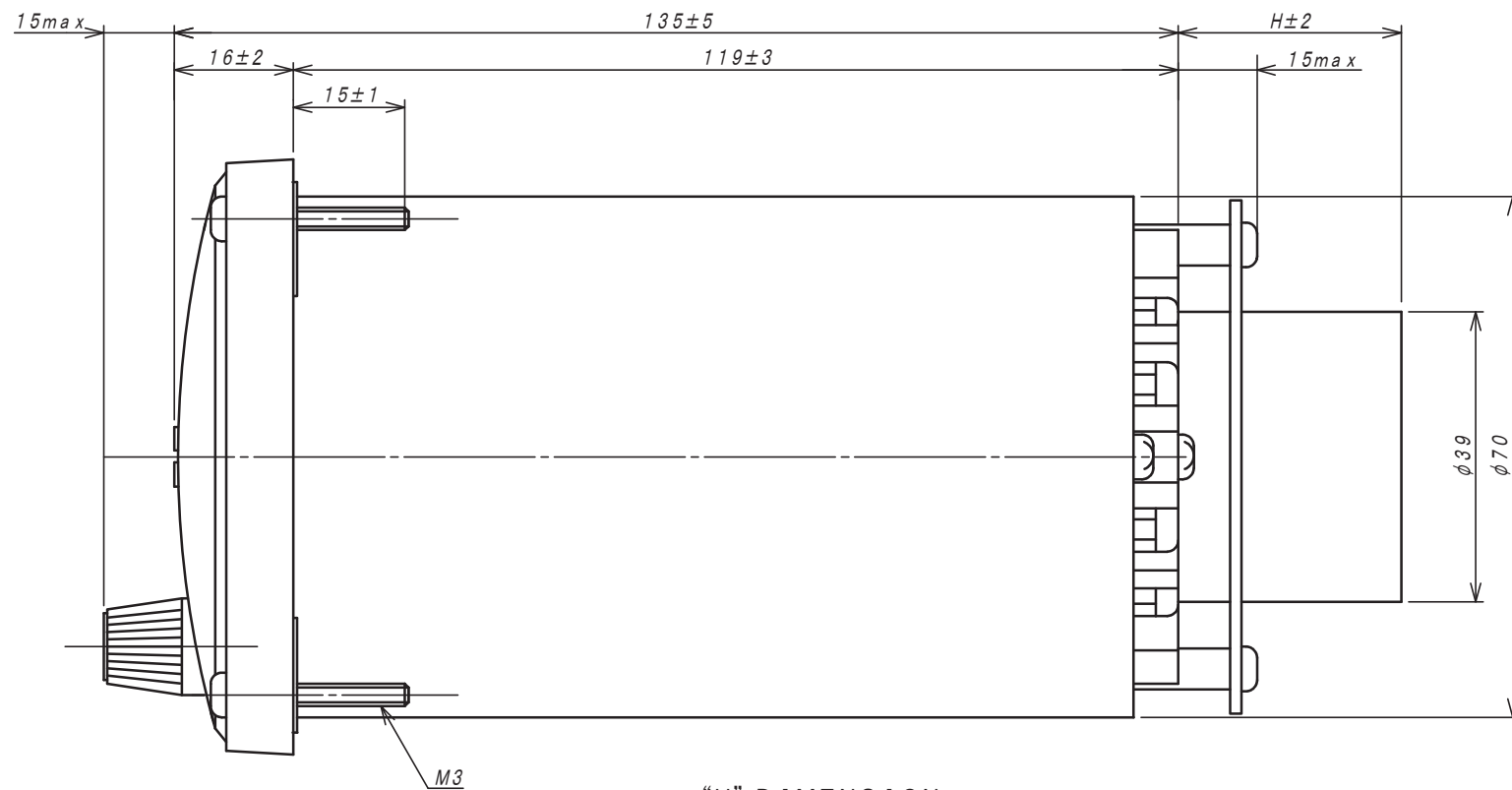
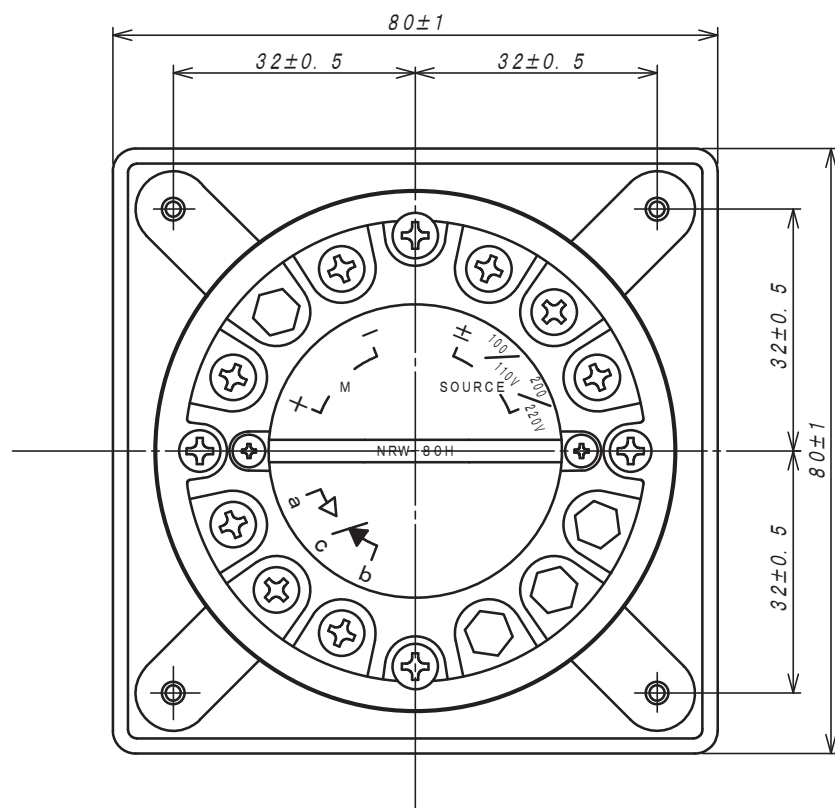


BACK VIEWS

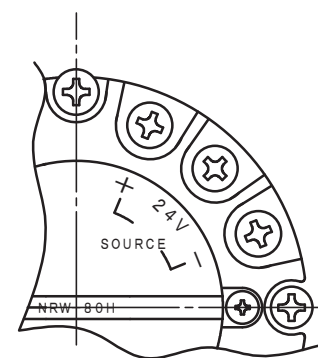


"H" DIMENSION

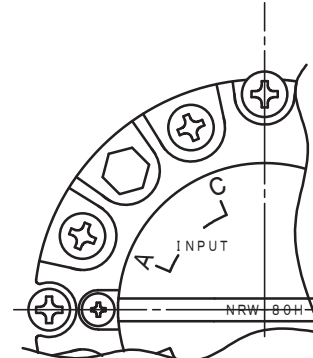
STANDARD (VOLTMETER, AMMETER & TACHOMETER)	0
AC AMMETER (RANGE 1A~5A)	30



TERMINALS LAYOUT FOR AC POWER SUPPLY

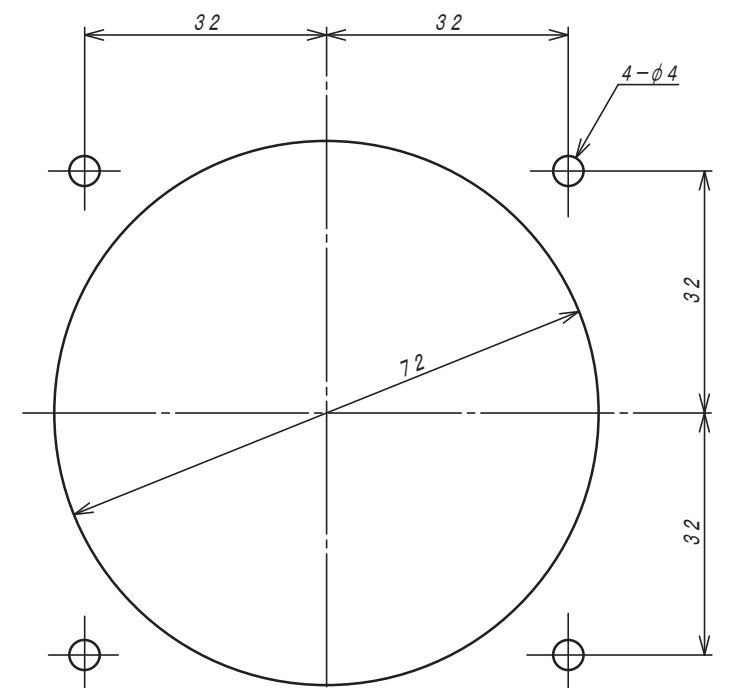


FOR DC POWER SUPPLY



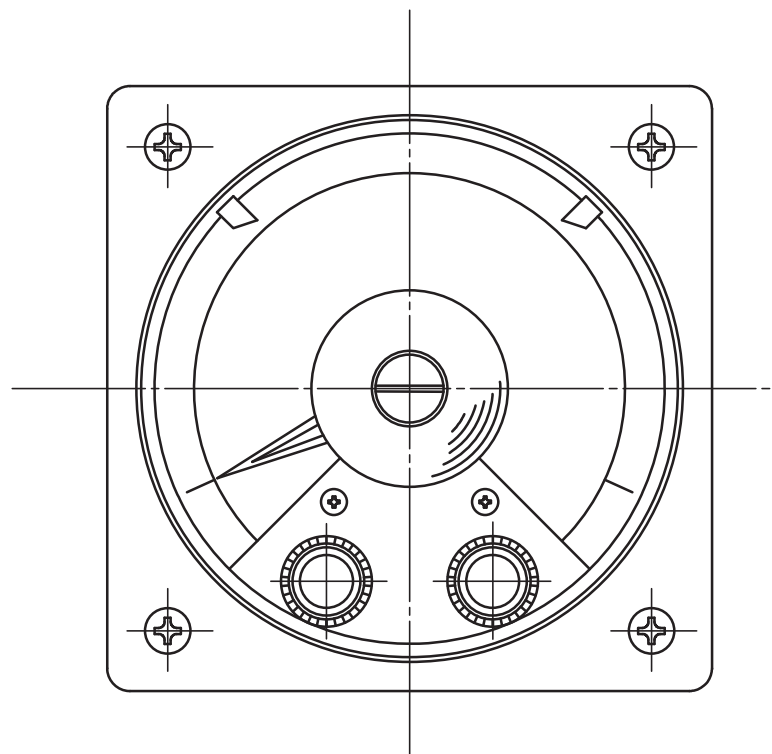
FOR AC INPUT

PANEL CUT-OUT

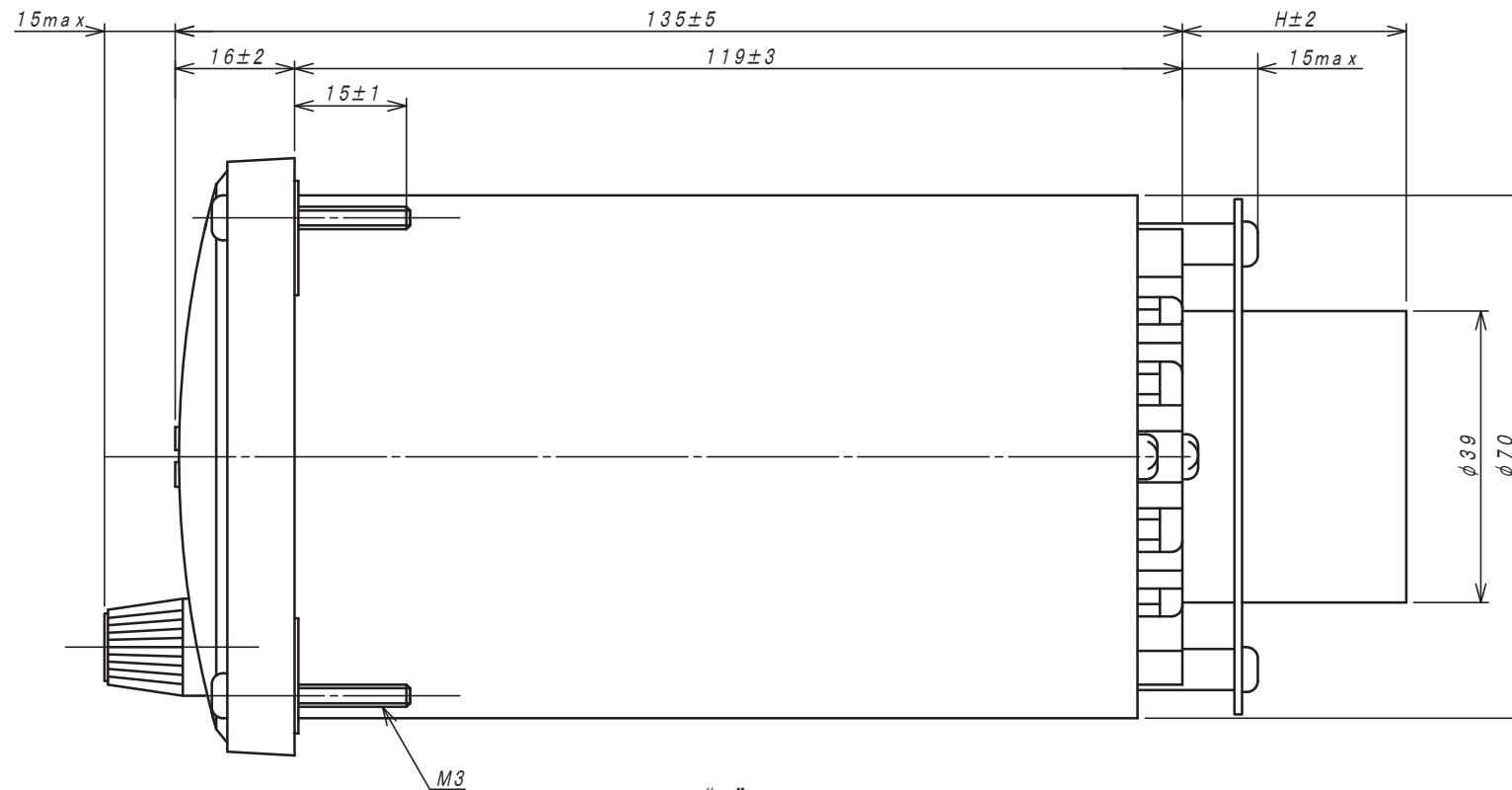


TSURUGA ELECTRIC CORPORATION All rights reserved.

REVISED	DATE	2021/10/20	APPROVED BY	TITLE
	CHECKED BY			
	SCALE		DRAWN BY	DRAWING No.
	TSURUGA ELECTRIC CORPORATION			FC-01772

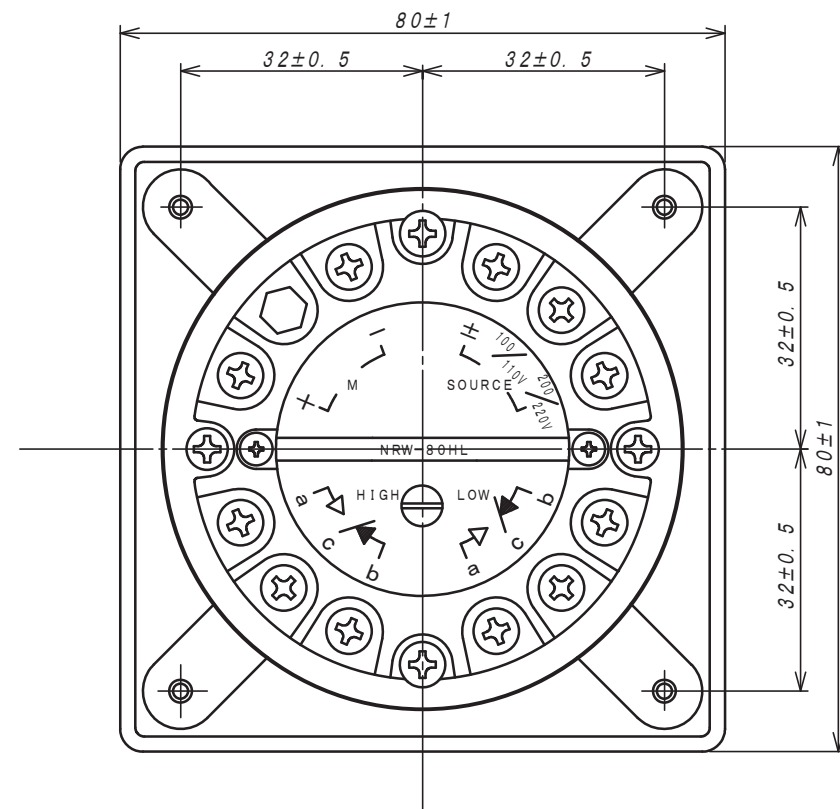


BACK VIEWS



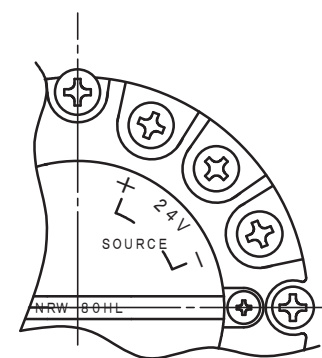
"H" DIMENSION

STANDARD (VOLTMETER, AMMETER & TACHOMETER)	0
AC AMMETER (RANGE 1A~5A)	30

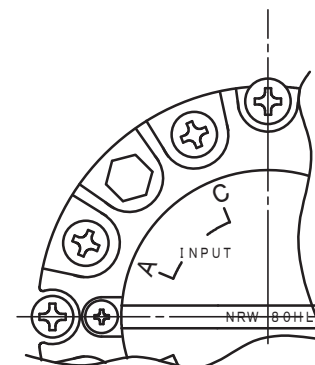


TERMINALS LAYOUT FOR AC POWER SUPPLY

TSURUGA ELECTRIC CORPORATION All rights reserved.

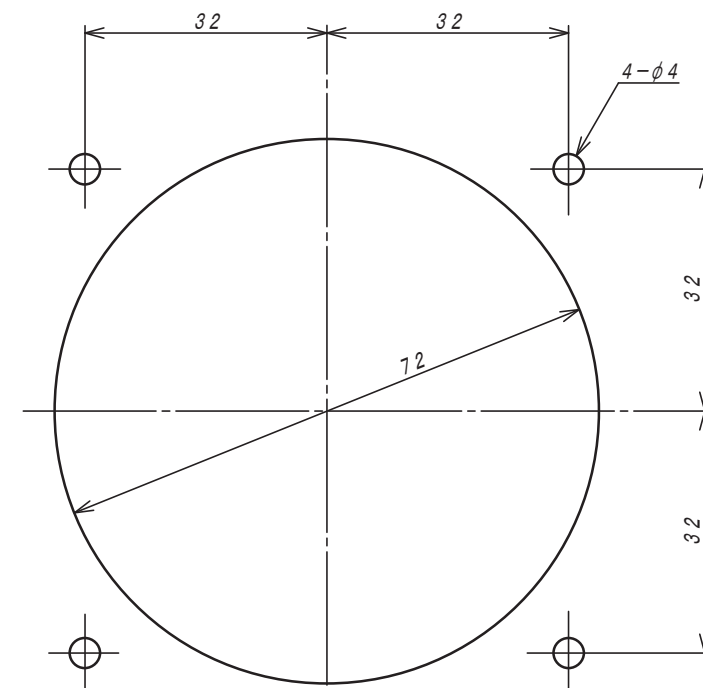


FOR DC POWER SUPPLY



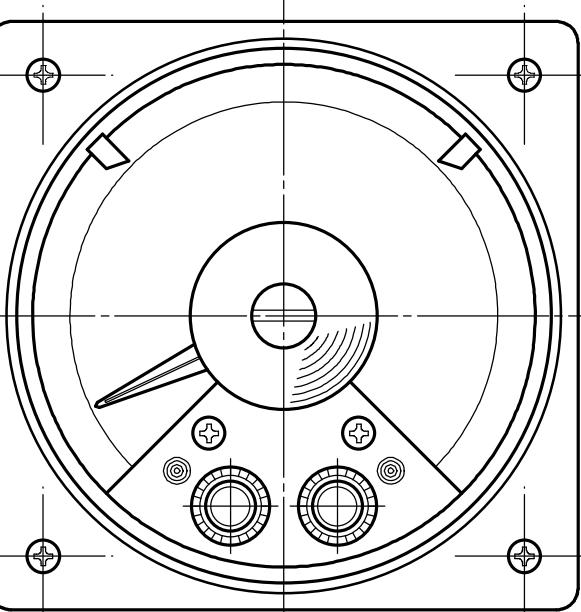
FOR AC INPUT

PANEL CUT-OUT



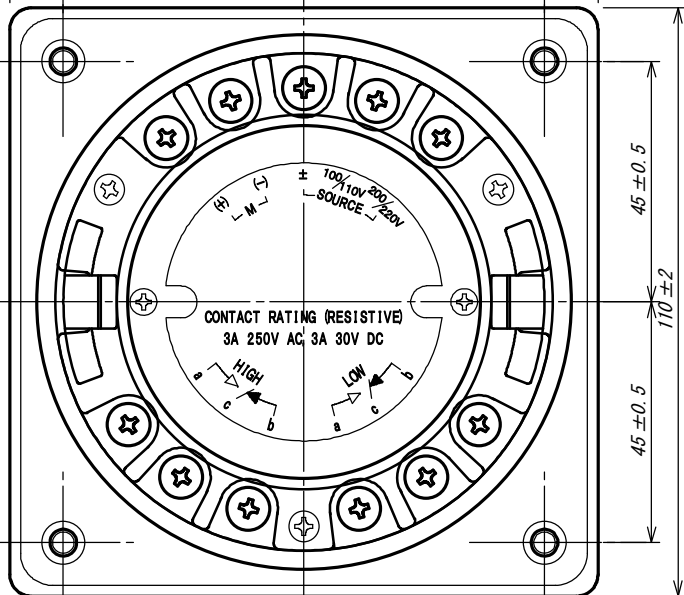
REVISED	DATE	Dec. 17, 2004	APPROVED BY	TITLE
	SCALE		CHECKED BY	
	DESIGNED BY		DRAWN BY	DRAWING No.
	TSURUGA ELECTRIC CORPORATION			FC-01260





BACK VIEW

110 ± 2  
45 ± 0.5      45 ± 0.5

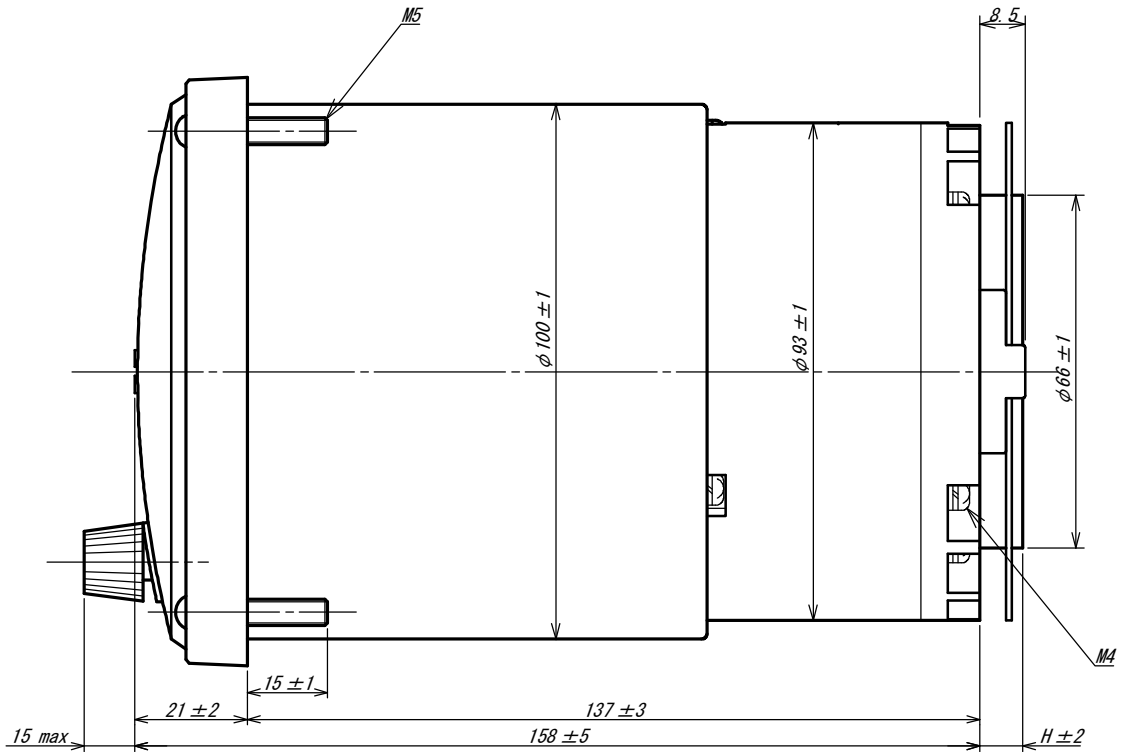


45 ± 0.5  
110 ± 2  
45 ± 0.5

CONTACT RATING (RESISTIVE)  
3A 250V AC 3A 30V DC

± 100 10V 200 250V  
SOURCE

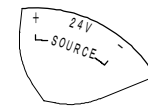
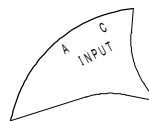
HIGH  
LOW



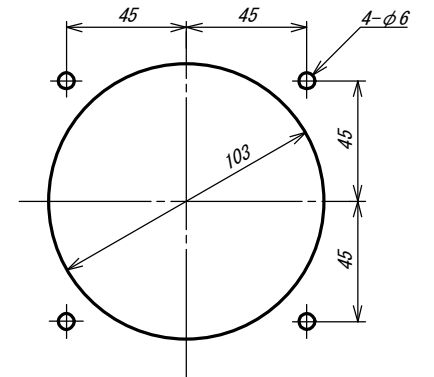
15 max      21 ± 2      15 ± 1      137 ± 3      158 ± 5      H ± 2  
φ100 ± 1      φ83 ± 1      8.5      φ66 ± 1

FOR AC INPUT

FOR DC POWER SUPPLY



PANEL CUTOUT DIMENSION



H DIMENSIONS

STANDARD (VOLTMETER, AMMETER & TACHOMETER)	8
WITH A BUILT-IN AMPLIFIER	19.5
AC AMMETER (RANGE 0.5A~5A)	31

UNIT: mm

REVISED	DATE	Sep. 29, 1998	APPROVED BY	TITLE
	SCALE		CHECKED BY	NRW-110HL
	DESIGNED BY		DRAWN BY	DRAWING No.
				FC-01010-1
Oct. 16, 2000	TSURUGA ELECTRIC CORPORATION			