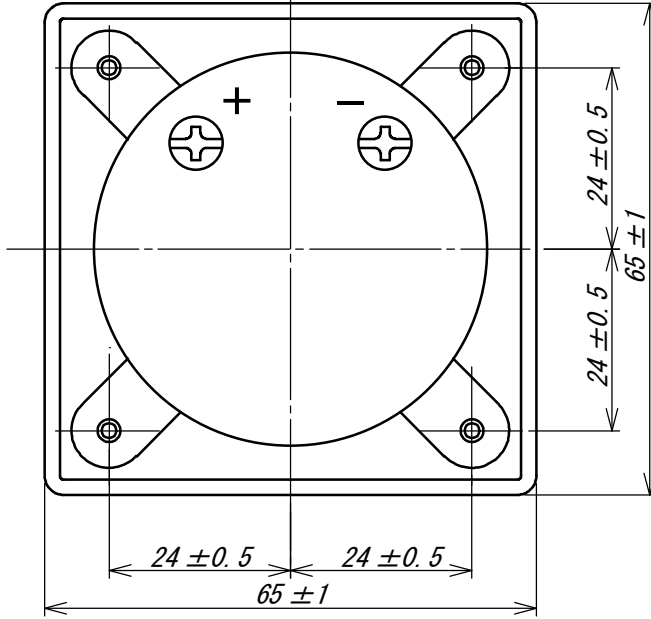
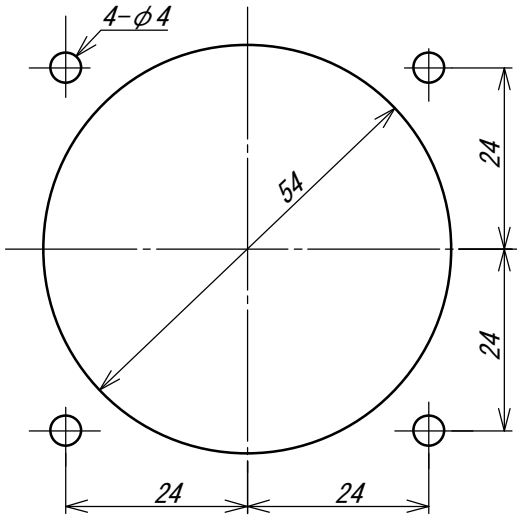


BACK VIEW

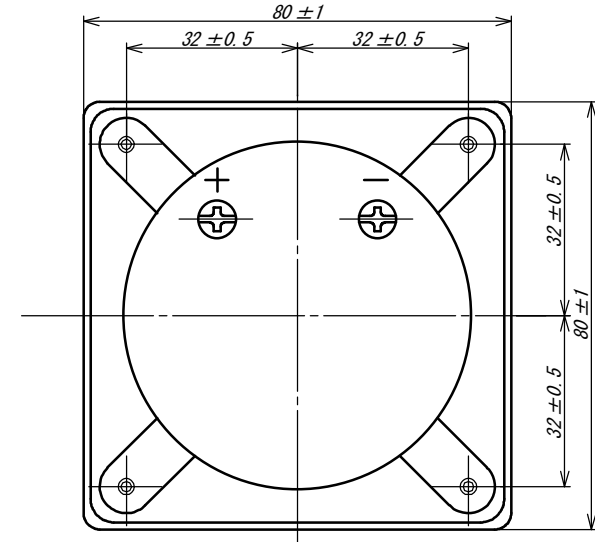
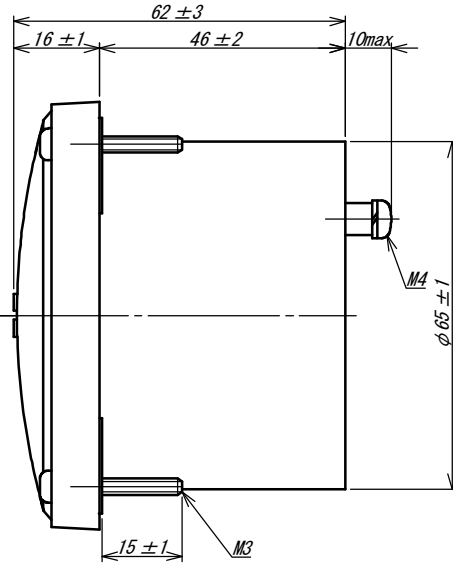
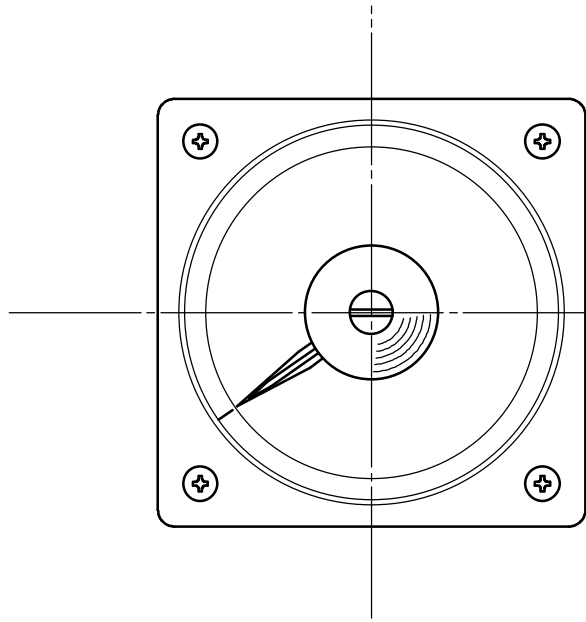


PANEL CUT-OUT

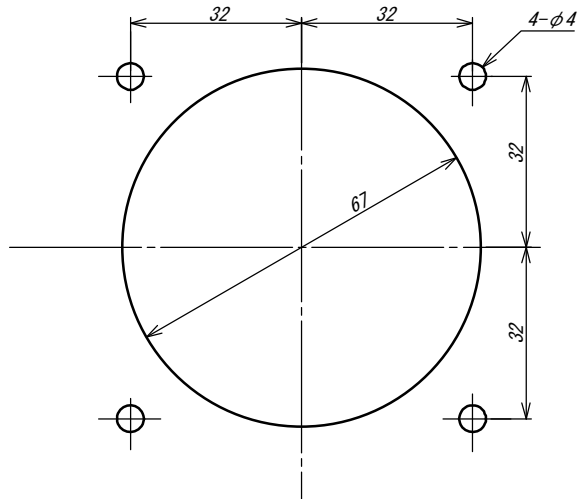


TSURUGA ELECTRIC CORPORATION. All rights reserved.

REVISED	DATE	Oct. 14. 1991	APPROVED BY	TITLE	T□W-2C
	SCALE		CHECKED BY		
⚠ Jan. 19, 2013 H. Matsunami ⚠ Oct. 19, 1994 H. Fujimoto	DESIGNED BY		DRAWN BY	H. Matsunami	DRAWING No.
	TSURUGA ELECTRIC CORPORATION			FB-00261-2	

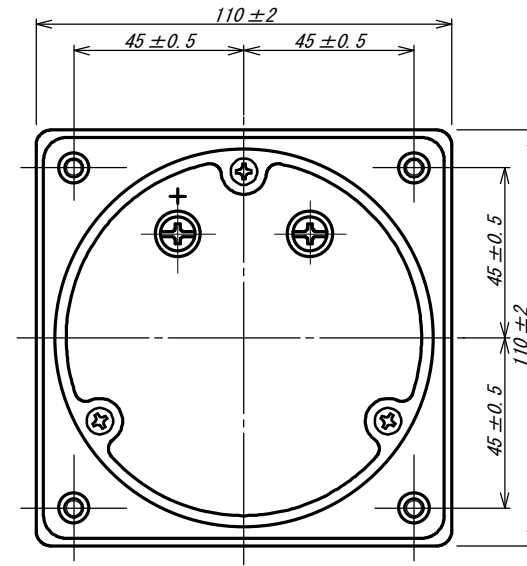
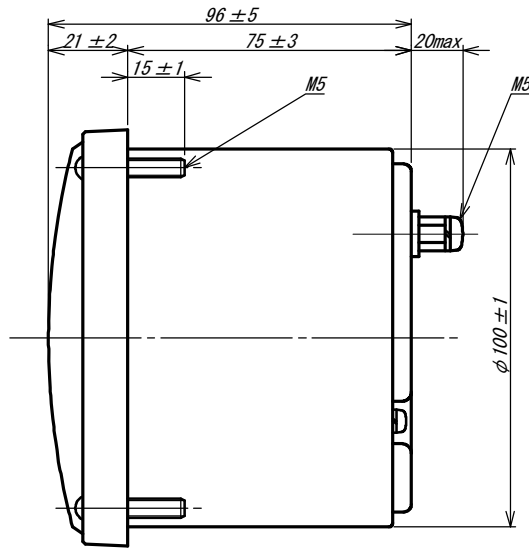
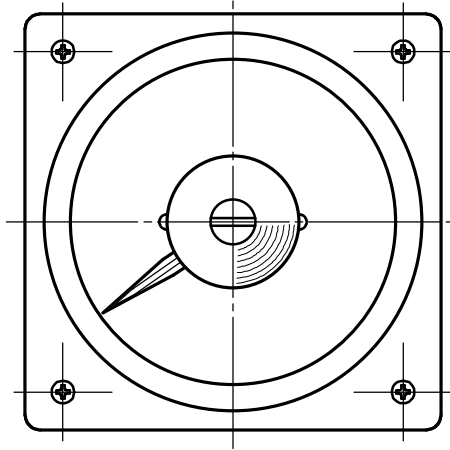


PANEL CUT-OUT

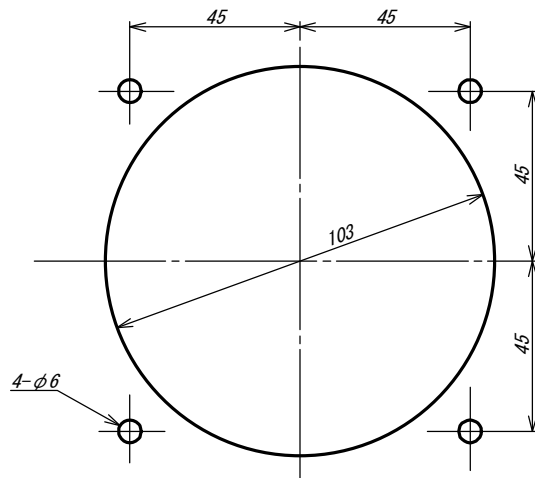


TSURUGA ELECTRIC CORPORATION. All rights reserved.

REVISED	DATE	Dec. 11. 2012	APPROVED BY	TITLE
	SCALE		CHECKED BY	T□W-25
	DESIGNED BY		DRAWN BY	DRAWING No.
			H. Matsunami	FC-01598
TSURUGA ELECTRIC CORPORATION				1/1



PANEL CUT-OUT



REVISED	DATE	APPROVED	TITLE
	Sep. 3, 1990	BY	
DESIGNED	SCALE	CHECKED	DRAWING No.
		BY	
BY	BY	BY	
Nov. 2, 2004 S. Okano	TSURUGA ELECTRIC CORPORATION		FC-00219-1