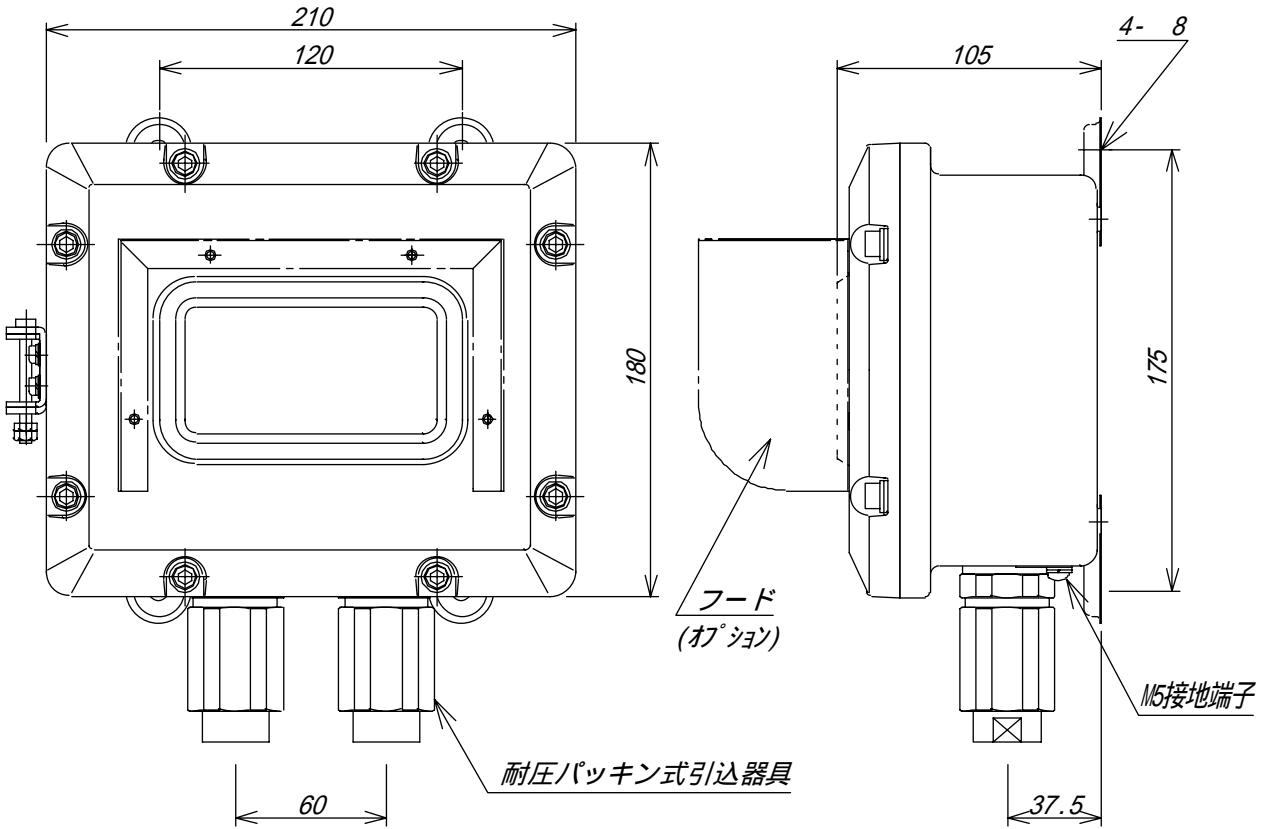
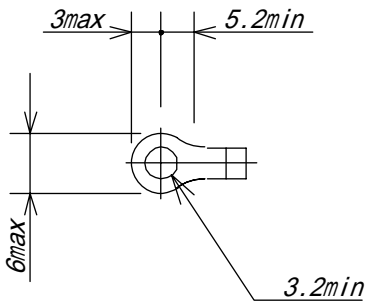


FB-00523

DRAWING No.

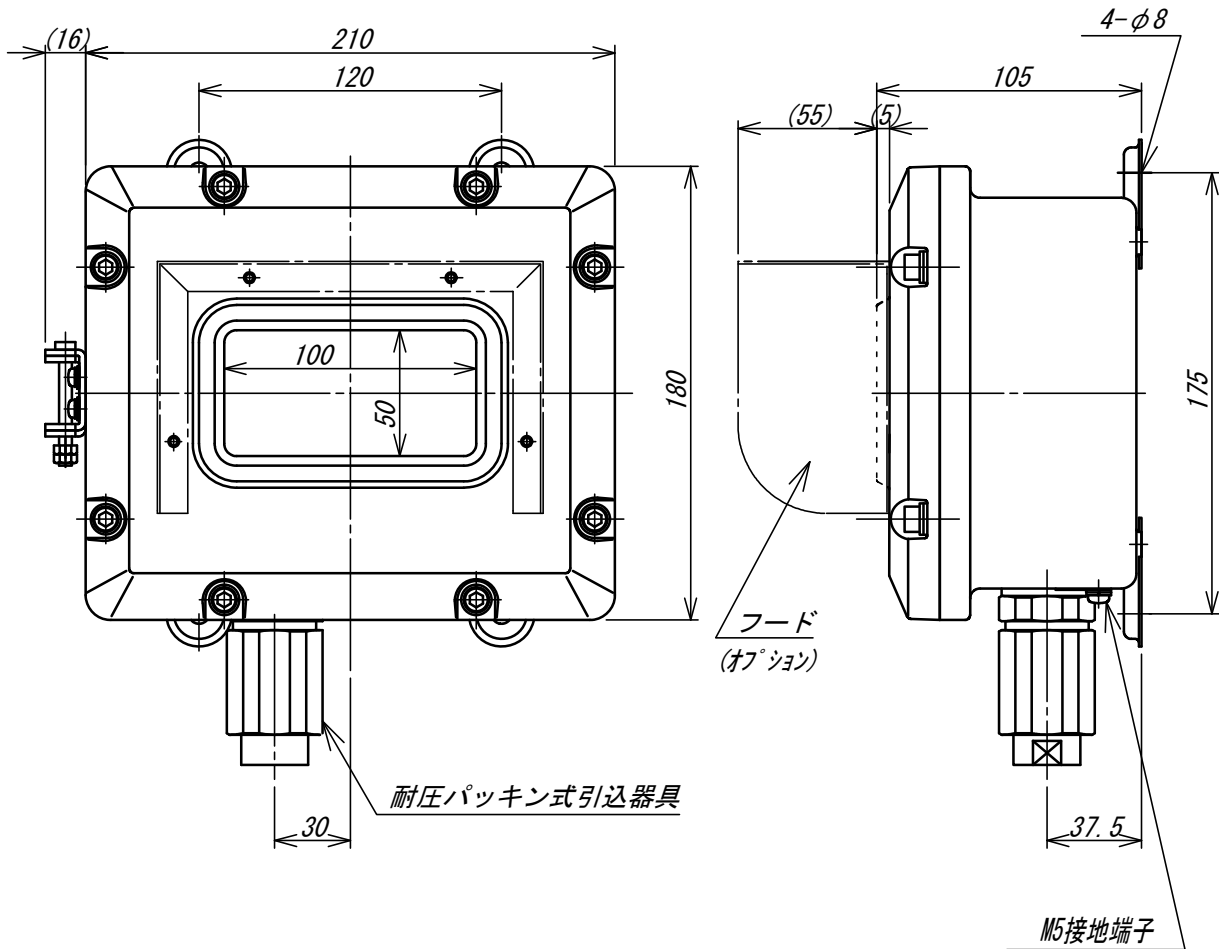


【適合圧着端子】

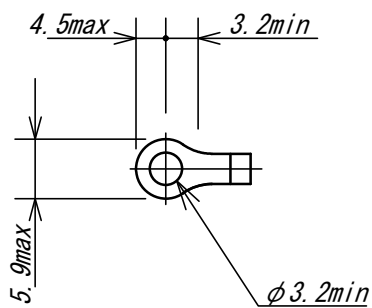


TSURUGA ELECTRIC CORPORATION. All rights reserved.

REVISED	DATE	Sep. 26, 2000	APPROVED BY	TITLE
	SCALE		CHECKED BY	
	DESIGNED BY		DRAWN BY	DRAWING No.
	TSURUGA ELECTRIC CORPORATION			FB-00523



【適合圧着端子】



TSURUGA ELECTRIC CORPORATION All Rights Reserved.

REVISED

DATE *Dec. 9, 2020*

APPROVED BY

TITLE

SCALE

CHECKED BY

EX1R-D5-19B-0
耐圧防爆形表示器

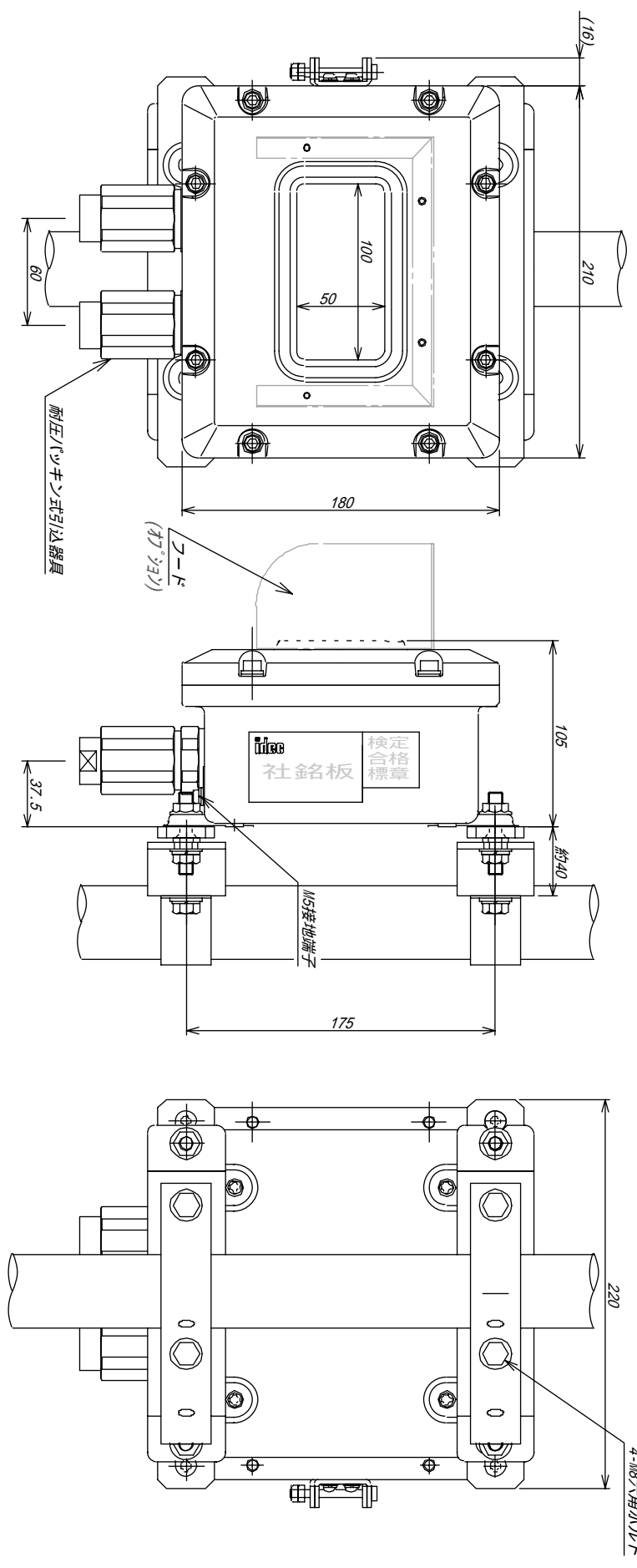
DESIGNED BY

DRAWN BY

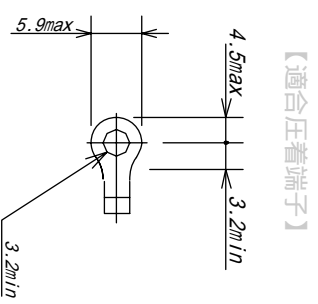
DRAWING No.

TSURUGA ELECTRIC CORPORATION

FB-00960



本図は、呼び径1・1/4B鋼管に取り付け例です。



TSURUGA ELECTRIC CORPORATION. All rights reserved.

REVISED	DATE	APPROVED	TITLE
	Apr. 22, 2004	BY	EX1R-D5
SCALE		CHECKED	耐圧防爆形表示器
DESIGNED		BY	ボール取り付け外形図
BY		DRAWN	
TSURUGA ELECTRIC CORPORATION			DRAWING NO. FC-01229
			1/1