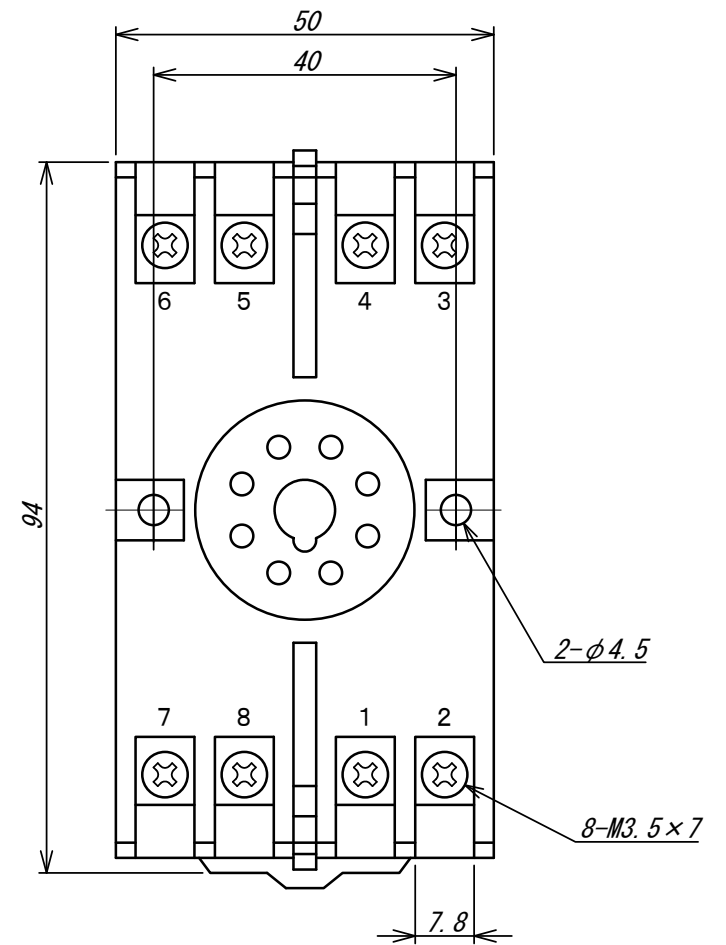
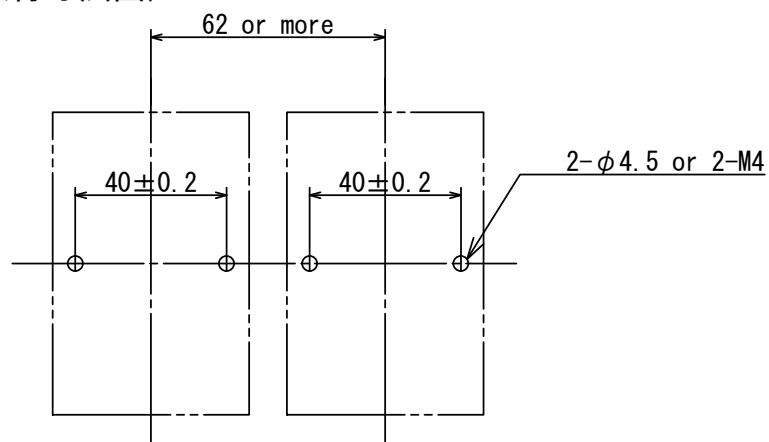


SOCKET

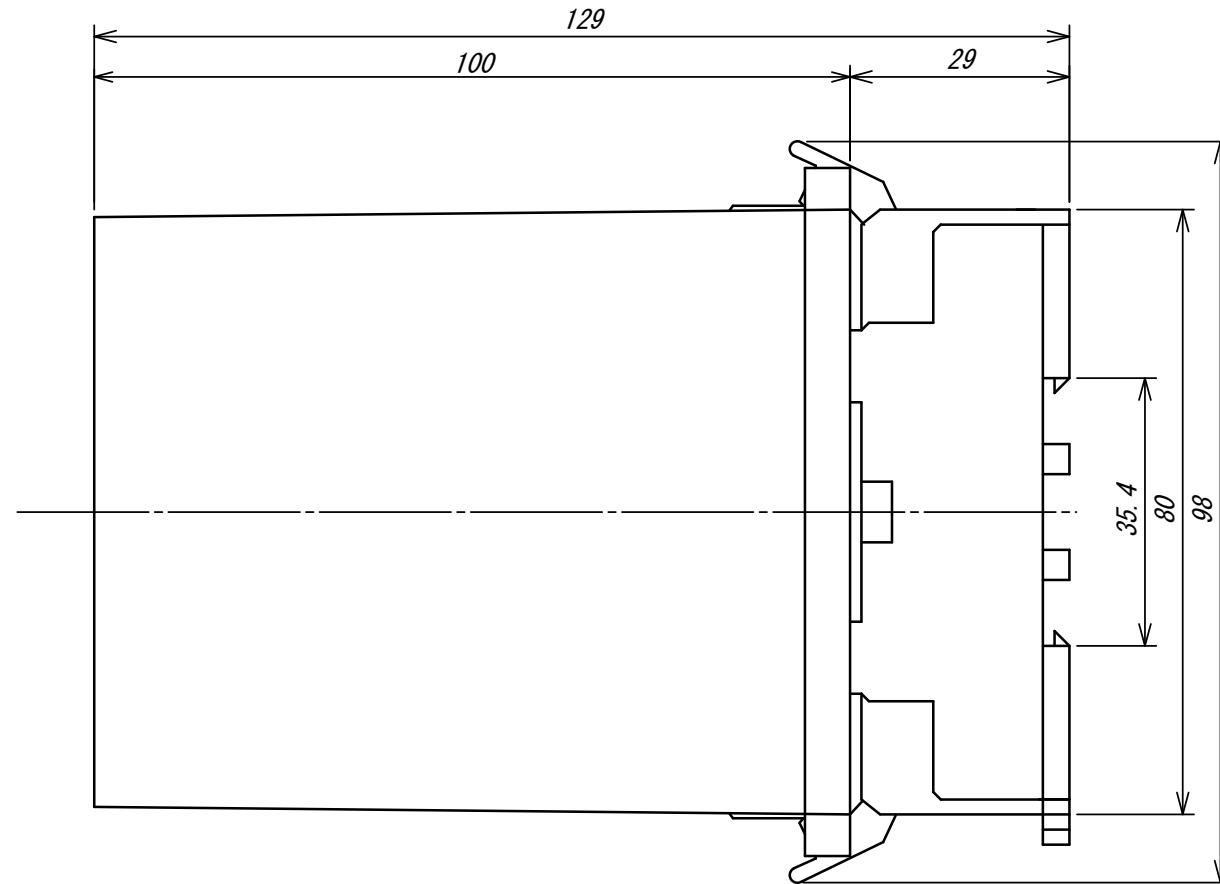
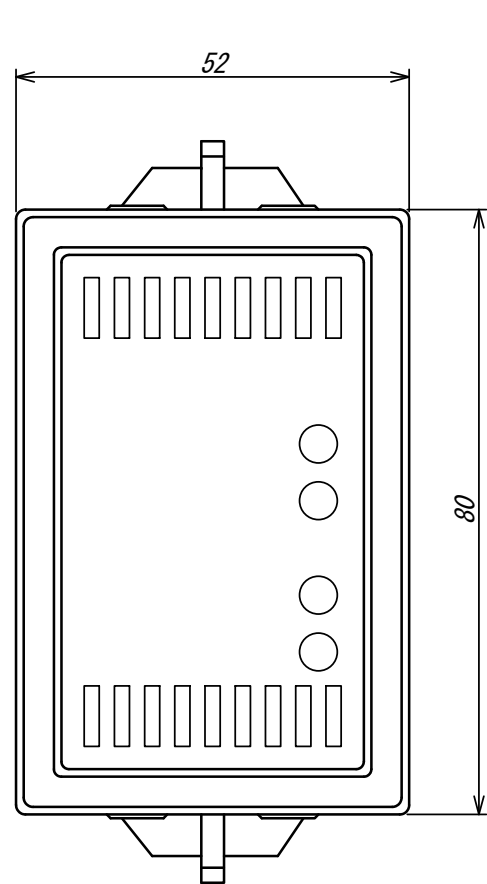


INSTALLATION MEASURE DRAWING  
(取付寸法図)

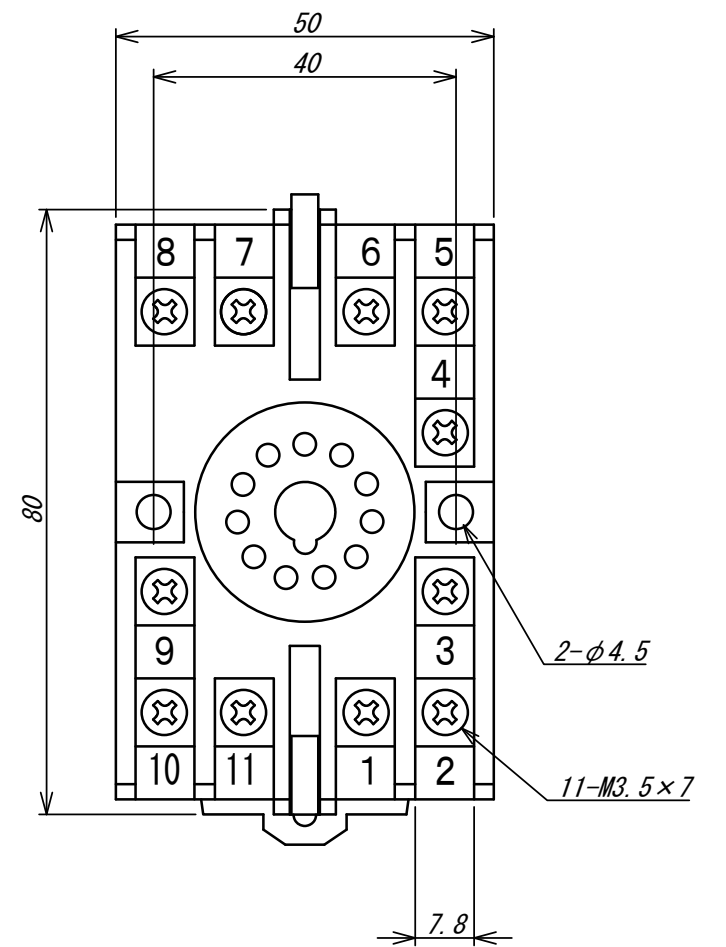


TSURUGA ELECTRIC CORPORATION All Rights Reservd.

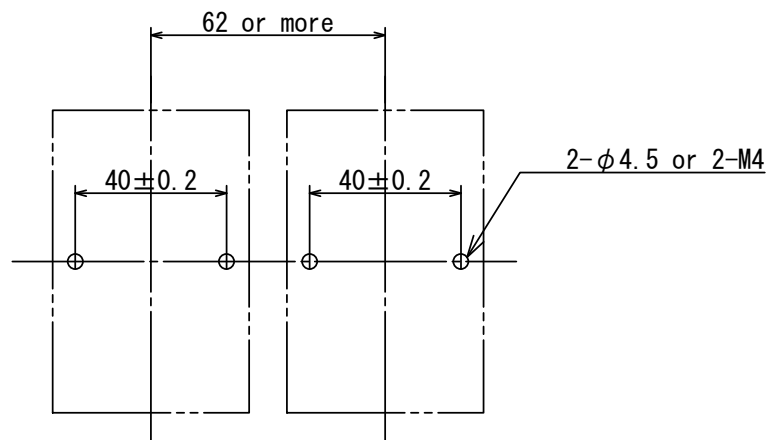
|                                |                              |             |              |
|--------------------------------|------------------------------|-------------|--------------|
| REVISED                        | DATE                         | APPROVED BY | TITLE        |
|                                | Jan. 24, 1994                |             | 7600S Series |
| Jul. 21, 2012<br>Oct. 16, 1995 | SCALE                        | CHECKED BY  | DRAWING No.  |
|                                |                              |             |              |
|                                | DESIGNED BY                  | DRAWN BY    |              |
|                                | TSURUGA ELECTRIC CORPORATION |             | FC-00604-2   |



SOCKET



INSTALLATION MEASURE DRAWING  
(取付寸法図)



TSURUGA ELECTRIC CORPORATION All Rights Reserved.

|  |                              |                |                                  |
|--|------------------------------|----------------|----------------------------------|
| REVISED<br><br>▲ Jul. 25. 2012<br>▲ May. 1. 1997 | DATE<br><i>Aug. 11, 1994</i> | APPROVED<br>BY | TITLE<br><i>7600T</i>            |
|  | SCALE<br>①                   | CHECKED<br>BY  | <i>7600W Series</i>              |
|  | DESIGNED<br>BY               | DRAWN<br>BY    | DRAWING No.<br><i>FC-00689-2</i> |
|  | TSURUGA ELECTRIC CORPORATION |                |                                  |